

Surge protection device - MT-RS485-TTL - 2749398


Please be informed that the data shown in this PDF Document is generated from our Online Catalog. Please find the complete data in the user's documentation. Our General Terms of Use for Downloads are valid (<http://phoenixcontact.com/download>)



Rail-mountable module with surge voltage coarse and fine protection for RS-485 interface, with TTL level, for mounting on NS 35/7.5, housing width: 50 mm



Key Commercial Data

Packing unit	5 STK
GTIN	 4 017918 104962
GTIN	4017918104962

Technical data

Dimensions

Height	77.5 mm
Width	47.6 mm
Depth	54.9 mm

Ambient conditions

Ambient temperature (operation)	-40 °C ... 80 °C
Degree of protection	IP20

General

Color	black
Mounting type	DIN rail: 35 mm
Type	DIN rail module, one-piece
Direction of action	Line-Line & Line-Signal Ground/Shield & Signal Ground/Shield-Earth Ground

Protective circuit

IEC test classification	C2
	C3
	D1
VDE requirement class	C2

Surge protection device - MT-RS485-TTL - 2749398

Technical data

Protective circuit

	C3
	D1
Nominal voltage U_N	5 V DC
Maximum continuous voltage U_C	5.8 V DC
Rated current	450 mA (25 °C)
Operating effective current I_C at U_C	≤ 2 mA
Nominal discharge current I_n (8/20) μs (line-line)	10 kA
Nominal discharge current I_n (8/20) μs (line-earth)	10 kA
Max. discharge current I_{max} (8/20) μs maximum (line-line)	10 kA
Max. discharge current I_{max} (8/20) μs maximum (line-earth)	10 kA
Max. discharge current I_{max} (8/20) μs maximum (line-signalground)	10 kA
Output voltage limitation at 1 kV/μs (line-line) spike	≤ 9 V
Output voltage limitation at 1 kV/μs (line-earth) spike	≤ 450 V
Output voltage limitation at 1 kV/μs (line-line) static	≤ 9 V
Output voltage limitation at 1 kV/μs (line-earth) static	≤ 450 V
Output voltage limitation at 1 kV/μs (line-signalground) static	≤ 9 V
Residual voltage at I_n (line-line)	≤ 9 V
Residual voltage at I_n (line-signalground)	≤ 9 V
Voltage protection level U_p (line-line)	≤ 9 V
Voltage protection level U_p (line-earth)	≤ 450 V
Voltage protection level U_p (line-signalground)	≤ 9 V
Response time t_A (line-line)	1 ns
Response time t_A (line-signalground)	≤ 1 ns
Response time t_A (line-earth)	≤ 100 ns
Input attenuation aE, sym.	typ. 0.1 dB (up to 40 kHz 150 Ω system)
	typ. 0.1 dB (up to 10 kHz)
Input attenuation aE, asym.	0.5 dB (up to 0.1 MHz 50 Ω system)
	0.1 dB (up to 10 kHz 600 Ω system)
Cut-off frequency f_g (3 dB), asym. (GND) in 50 Ohm system	600 kHz
Cut-off frequency f_g (3 dB), asym. (GND) in 150 Ohm system	200 kHz
Cut-off frequency f_g (3 dB), asym. (GND) in 600 Ohm system	50 kHz
Resistance in series	4.4 Ω
Surge protection fault message	none

Connection data

Connection method	Screw connection
Connection method IN	Screw terminal blocks
Connection method OUT	Screw terminal blocks
Screw thread	M3
Stripping length	8 mm

Surge protection device - MT-RS485-TTL - 2749398

Technical data

Connection data

Conductor cross section flexible	0.2 mm ² ... 2.5 mm ²
Conductor cross section solid	0.2 mm ² ... 4 mm ²
Conductor cross section AWG	24 ... 12

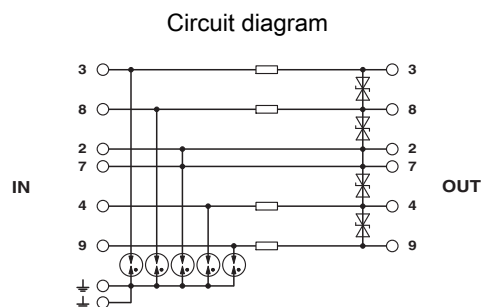
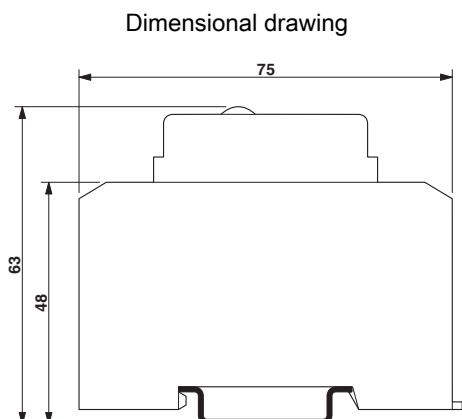
Standards and Regulations

Standards/regulations	Draft IEC 64644-1
	E VDE 0845-3-1

Environmental Product Compliance

REACH SVHC	Lead 7439-92-1
China RoHS	Environmentally Friendly Use Period = 50
	For details about hazardous substances go to tab "Downloads", Category "Manufacturer's declaration"

Drawings



Approvals

Approvals

Approvals

EAC / EAC

Ex Approvals

Approval details

EAC		RU C- DE.A*30.B01561
-----	--	-------------------------

Surge protection device - MT-RS485-TTL - 2749398

Approvals

EAC



EAC-Zulassung

Phoenix Contact 2018 © - all rights reserved
<http://www.phoenixcontact.com>

PHOENIX CONTACT GmbH & Co. KG
Flachsmarktstr. 8
32825 Blomberg
Germany
Tel. +49 5235 300
Fax +49 5235 3 41200
<http://www.phoenixcontact.com>