

Antenna - ANT-DIR-2459-01 - 2701186

Please be informed that the data shown in this PDF Document is generated from our Online Catalog. Please find the complete data in the user's documentation. Our General Terms of Use for Downloads are valid (<http://phoenixcontact.com/download>)



Directional antenna, 2.4 GHz/5 GHz, gain: 9 dBi, polarization: linear, opening angle: h/v 75°/55°, degree of protection: IP67, seawater-resistant, connection: N (female), incl. mounting bracket and mast clips, ATEX and IECEx approval

Why buy this product

- For use in potentially explosive areas
- Salt water resistant
- For large distances
- For stationary or linear mobile applications
- For point-to-point connections



Key Commercial Data

Packing unit	1 STK
GTIN	
GTIN	4046356717182

Technical data

Dimensions

Width	80 mm
Height	101 mm
Length	35 mm

Ambient conditions

Degree of protection	IP67
Ambient temperature (operation)	-40 °C ... 75 °C
Ambient temperature (storage/transport)	-40 °C ... 75 °C

General

With connecting cable	No
Frequency range	2.4 GHz

Antenna - ANT-DIR-2459-01 - 2701186

Technical data

General

	5 GHz
	2.4 GHz ... 2.5 GHz
	5.15 GHz ... 5.875 GHz
Horizontal beamwidth	75 ° (at 2.4 GHz)
Vertical beamwidth	55 ° (at 2.4 GHz)
Polarization	Linear vertical
Impedance	50 Ω
Gain	9 dBi
Wind velocity	160 km/h (Has a force of 15 N)
Connection method	N (female)
Conformance	CE-compliant
ATEX	# II 1G Ex ia IIC T6 Ga
IECEX	Ex ia IIC T6 Ga
Material	Lexan EXL 9330 (Antenna housing)
	V2A (Bracket)
	V2A (Mast clip)
Mounting type	Mast mounting or wall mounting
External diameter	25 mm ... 85 mm (Mast)

Standards and Regulations

Standards/regulations	EN 60079-0
	EN 60079-11
	EN 60079-26
Conformance	CE-compliant
ATEX	# II 1G Ex ia IIC T6 Ga
IECEX	Ex ia IIC T6 Ga

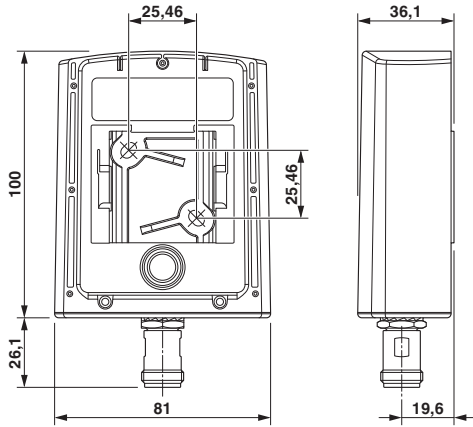
Environmental Product Compliance

REACH SVHC	Lead 7439-92-1
China RoHS	Environmentally Friendly Use Period = 25;
	For details about hazardous substances go to tab "Downloads", Category "Manufacturer's declaration"

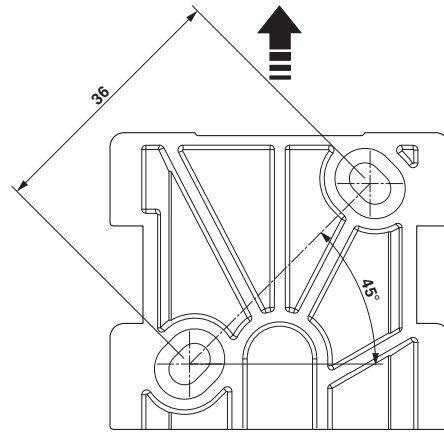
Drawings

Antenna - ANT-DIR-2459-01 - 2701186

Dimensional drawing

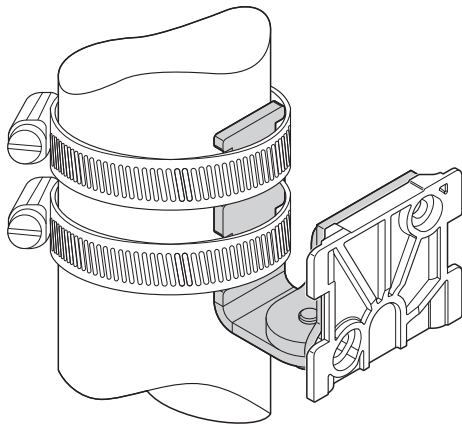


Dimensional drawing



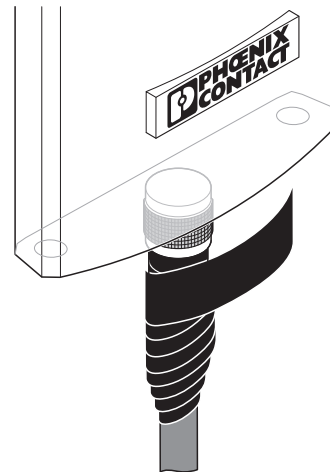
Mounting plate

Schematic diagram



Mast mounting

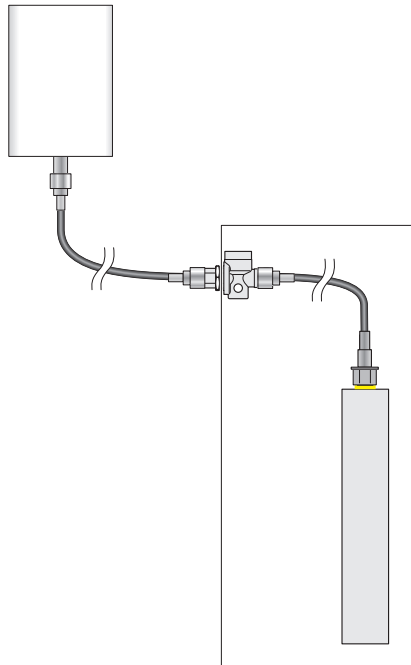
Schematic diagram



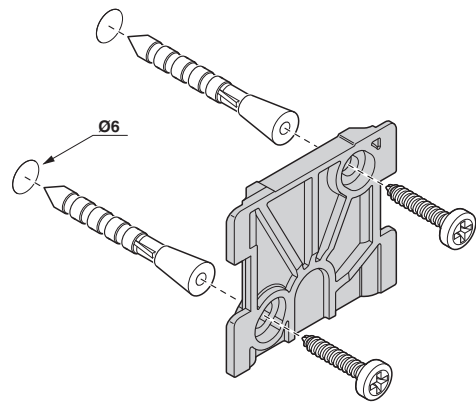
Sealing tape

Antenna - ANT-DIR-2459-01 - 2701186

Schematic diagram



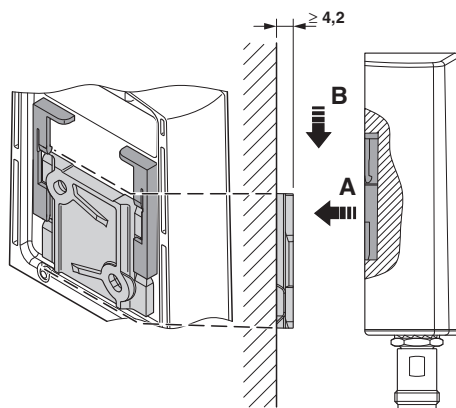
Schematic diagram



Mounting plate

Installation example

Schematic diagram



Wall mounting

Phoenix Contact 2018 © - all rights reserved
<http://www.phoenixcontact.com>

PHOENIX CONTACT GmbH & Co. KG
Flachsmarktstr. 8
32825 Blomberg
Germany
Tel. +49 5235 300
Fax +49 5235 3 41200
<http://www.phoenixcontact.com>