



[All Series](#) > [Series 45](#) > Part No. 45-1F40.3010.000.108

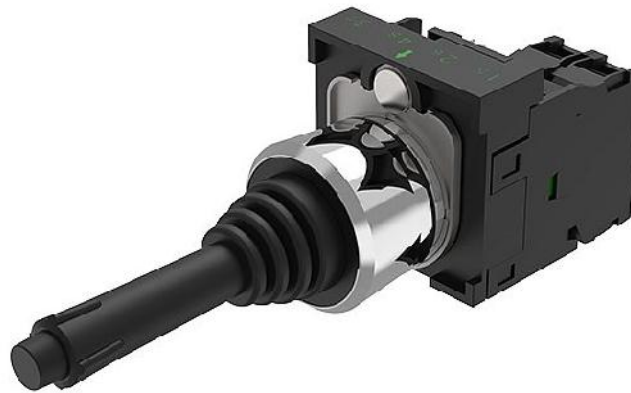
Part No. 45-1F40.3010.000.108, Toggle stick

[Request Information](#)

[Printable Page](#)

[Download PDF](#)

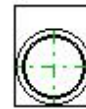
[Email This Page](#)



[3D CAD DRAWING](#)

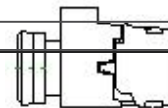
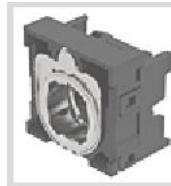


[3D](#)

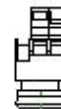


[Front View](#)

45-1F40.3010.000.108



[2D Right Side View](#)

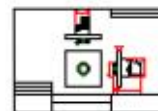


[2D Top View](#)

[Specifications](#) | [Bill of Materials](#)

Specifications

Actuator	Toggle stick
Lens Colour	Black



[2D Sales Drawing](#)



Actuator	Round
Function	2 Pos., mom., locking C (TogST) (U>LC<D)
Housing Material	Metal/Plastic
Shape of Handle or Frontring	None
Lock System	None
Key	None
Key Type	None
Switching Angle	None
Contacts	1NO, 1NO
Terminal	Screw terminal
Voltage Illumination	None
Mounting Type	Front mounting
Mounting Style	Holder
Environmental Rating	IP66, IP67, IP69K
Industry Standards/Certifications	UL, CSA, VDE, CCC, CE, RoHS
Switching Function	On-Off
Illumination	None
Contact Material	Silver
Termination Style	Screw
Mechanical Life	170'000 switching cycles
AC Voltage	500 V
DC Voltage	500 V
Switching Current	10 A

Bill of Materials

Actuator	45-2F40.3010.000
Holder	45-2400.1000.000
Switch Element 1	45-311.1Z10
Switch Element 3	45-311.1Z10