



[All Series](#) > [Series 45](#) > Part No. 45-1131.3140.000.101

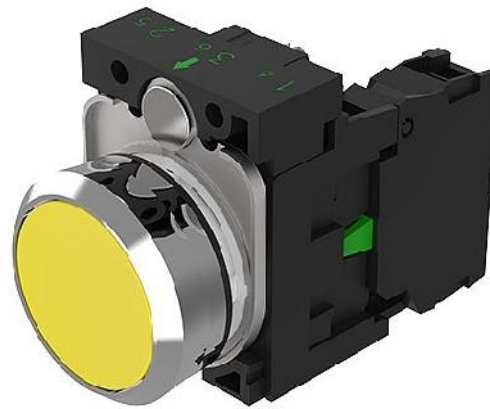
Part No. 45-1131.3140.000.101, Pushbutton

[Request Information](#)

[Printable Page](#)

[Download PDF](#)

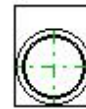
[Email This Page](#)



[3D CAD DRAWING](#)

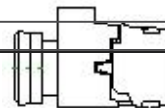


[3D](#)



[Front View](#)

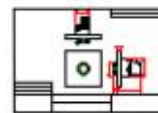
45-1131.3140.000.101



[2D Right Side View](#)



[2D Top View](#)



[2D Sales Drawing](#)

[Specifications](#) | [Bill of Materials](#)

Specifications

Actuator	Pushbutton
Lens Colour	Yellow

Function	2 Positions, momentary (O<l)
Housing Material	Metal/Plastic
Shape of Handle or Frontring	raised/ level to bezel
Lock System	None
Key	None
Key Type	None
Switching Angle	None
Contacts	1NO
Terminal	Screw terminal
Voltage Illumination	None
Mounting Type	Front mounting
Mounting Style	Holder
Environmental Rating	IP66, IP67, IP69K
Industry Standards/Certifications	UL, CSA, VDE, CCC, CE, RoHS
Switching Function	On-Off
Illumination	None
Contact Material	Silver
Termination Style	Screw
Mechanical Life	Maintain 500'000 switching cycles Momentary 10'000'000 switching cycles
AC Voltage	500 V
DC Voltage	500 V
Switching Current	10 A

Bill of Materials

Actuator	45-2131.3140.000
----------	------------------

Holder	45-2300.1000.000
Switch Element 1	45-311.1Z10