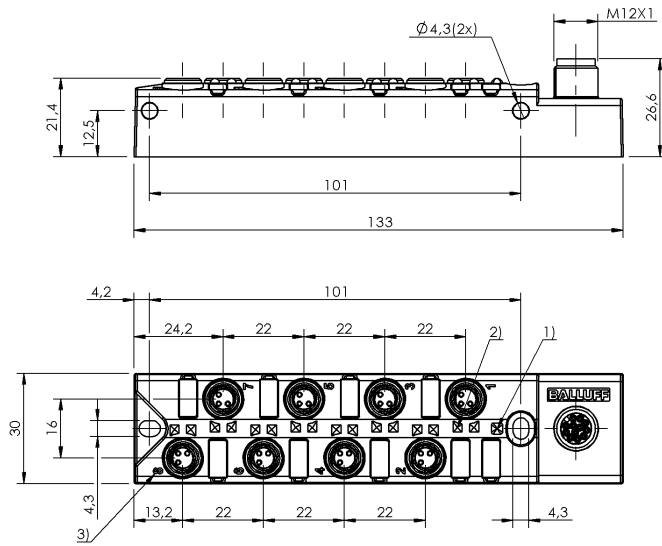


BPI 8M303P-5K-B0-SM4CT BPI00AL



1) Power green 2) LED yellow for Signal 1 (NO) 3) Slot numbering

Display/Operation

Power indicator	LED green
Switching function display	8x LED yellow

Electrical data

Isolation resistance	≥ 10 GOhm
Operating voltage U_b	10...30 VDC
Output current max.	1.5 A
Rated operating voltage U_e DC	24 V
Total current max.	1.5 A

Environmental conditions

Ambient temperature	-25...80 °C
Protection type IEC 60529	IP67 when threaded in

General data

Scope of delivery	Part labels (11x) Cover cap (5x)
-------------------	-------------------------------------

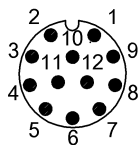
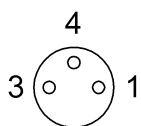
Material

Housing material	PBT, GF
Material contact carrier	PBT
Material contacts	Bronze (CuSn6), nickel layer

Mechanical data

Casting	yes
Dimension	133 x 30 x 26.6 mm
Fastening detail	M4 (2x)
Tightening torque	1.2 Nm ±0.2 (M4)
Tightening torque pigtail	0.4 Nm + 0.1 Nm (M8 connector)

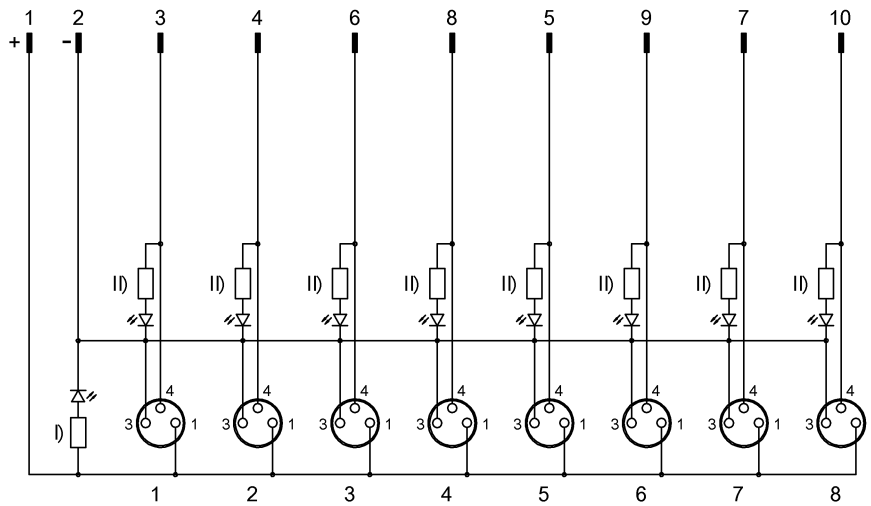
Connector view



I/O ports PIN 1: +24V PIN 3: 0V PIN 4: Normally open

BPI 8M303P-5K-B0-SM4CT
BPI00AL

Wiring Diagram



I) LED green II) LED yellow