

Modular F.R.L. Units

Regulator

Set pressure:

7.3 to 123 psi
(0.05 to 0.85 MPa)

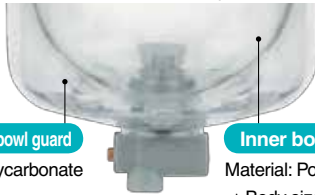
2.9 to 29 psi
(0.02 to 0.2 Mpa)

Better visibility & environmental resistance

Double layer design

The bowl is covered with a transparent bowl guard!

- The inside is visible from 360°.
- The bowl is completely protected from the environment. Safety improved



Transparent bowl guard

Material: Polycarbonate

Inner bowl

Material: Polycarbonate

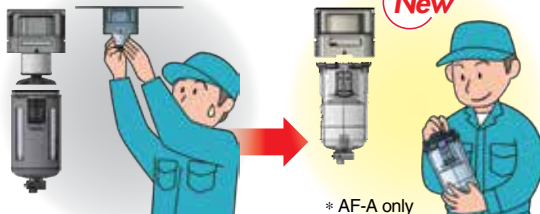
* Body size: 30 or more

Easy replacement of the element

The element and the bowl are in one piece. Replacement can be done in hand.

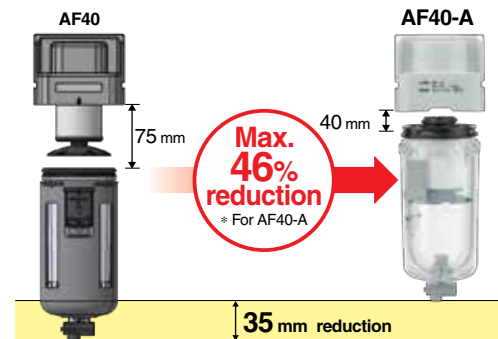
Replacement in hand!

Existing model



* AF-A only

Reduced required maintenance space



Selection of pressure gauges



Square embedded type pressure gauge



Round type pressure gauge



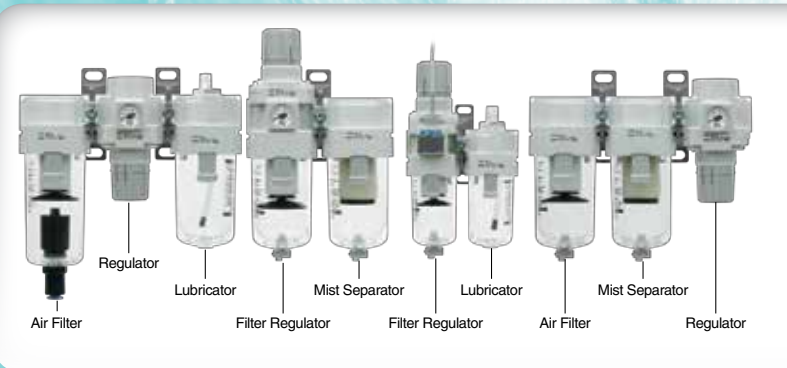
Digital pressure switch

Interchangeability

Interchangeable with the current AR series by panel mounting

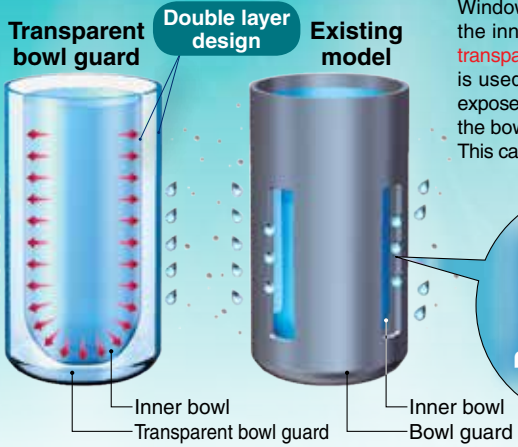


Regulator with backflow function
AR□0K is available.



▶ Transparent bowl guard

Better environmental resistance:
Transparent bowl guard can protect the inner bowl!



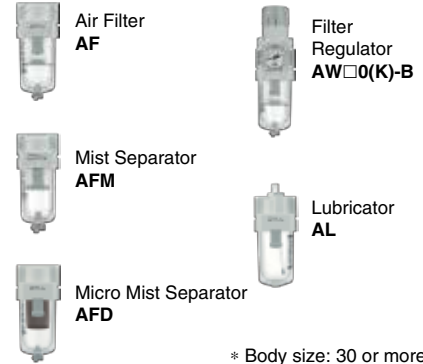
Windows on the bowl guard are abolished and the inner bowl is covered with "polycarbonate transparent bowl guard". Even when the product is used in an ambient environment where it is exposed to chemicals or oil, which do not stick to the bowl where the internal pressure is applied. This can reduce direct effects on the bowl.

Pressure

Cracks may occur in a portion where the internal pressure is applied.

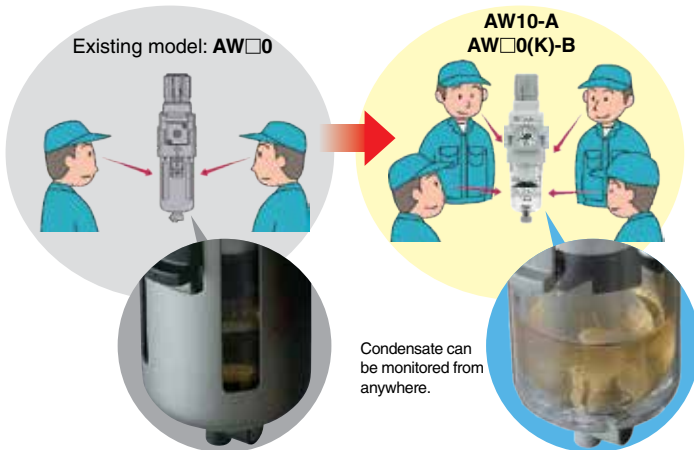


Applicable model



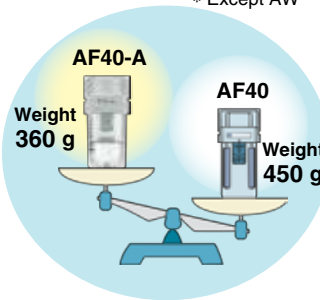
Better visibility: 360°

Use of transparent bowl guard makes it possible to check the condensate inside the filter case and the remaining oil amount in the lubricator from the entire periphery.



Light weight: Max. 90 g reduction

* Except AW



Metal related corrosion does not occur.



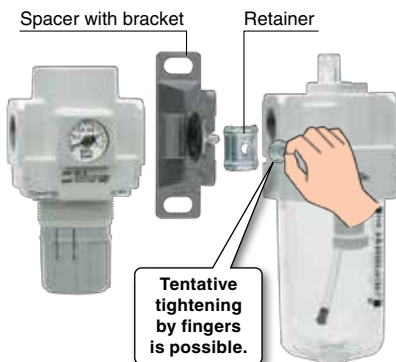
Resin body does not rust.

New Spacer

Modular connection

Step ①

- Mount the product by lining up the mating surface of the new spacer with bracket.
- Insert the retainer into the spacer bolt and tighten the nut. (temporary assembling)

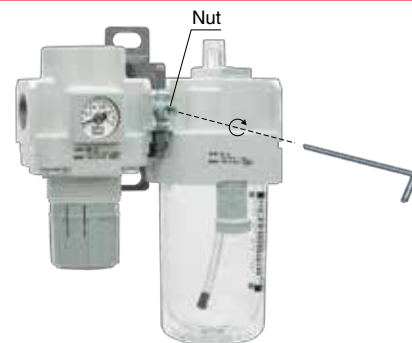


Step ②


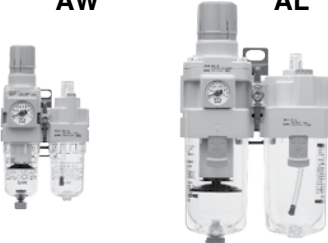


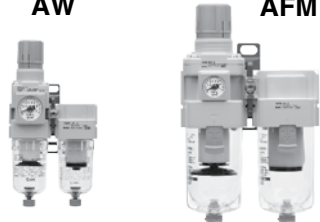
- Tighten the nut with the hexagon wrench.

Interchangeable with existing model

- New spacer can be connected to existing AF, AR, AL, AW series.
- Existing spacer can be connected to the New AF□-A, AR□(K)-B, AL□-A, AW□(K)-B series.



Series Configuration

Product	Model	Port size						INDEX
		M5	1/8	1/4	3/8	1/2	3/4	
Air Filter + Regulator + Lubricator AF AR AL 	AC10-A	●						P.7
	AC20-B		●	●				
	AC25-B			●	●			
	AC30-B			●	●			
	AC40-B			●	●	●		
	AC40-06-B						●	
	AC50-B						●	
	AC60-B						●	
Filter Regulator + Lubricator AW AL 	AC10A-A	●						P.15
	AC20A-B		●	●				
	AC30A-B			●	●			
	AC40A-B			●	●	●		
	AC40A-06-B						●	
	AC50A-B						●	
AC60A-B						●		
Air Filter + Regulator AF AR 	AC10B-A	●						P.21
	AC20B-B		●	●				
	AC25B-B			●	●			
	AC30B-B			●	●			
	AC40B-B			●	●	●		
	AC40B-06-B						●	
	AC50B-B						●	
	AC60B-B						●	
Air Filter + Mist Separator + Regulator AF AFM AR 	AC20C-B		●	●				P.27
	AC25C-B			●	●			
	AC30C-B			●	●			
	AC40C-B			●	●	●		
	AC40C-06-B						●	
Filter Regulator + Mist Separator AW AFM 	AC20D-B		●	●				P.31
	AC30D-B			●	●			
	AC40D-B			●	●	●		
	AC40D-06-B						●	

Air Combination

AC

AF+AR+AL

AW+AL

AF+AR

AF+AFM+AR

AW+AFM

Attachment

AF

AFM / AFD






AR




AL

AW

Series AC

Series Configuration

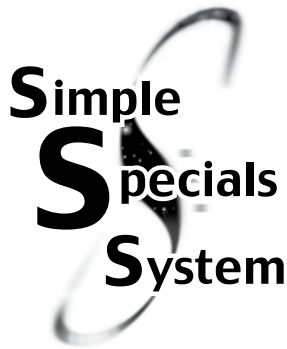
Product	Model	Port size							INDEX
		M5	1/8	1/4	3/8	1/2	3/4	1	
Air Filter 	AF10-A	●							P.43
	AF20-A		●	●					
	AF30-A			●	●				
	AF40-A			●	●	●			
	AF40-06-A						●		
	AF50-A						●	●	
	AF60-A							●	
Mist Separator 	AFM20-A		●	●					P.53
	AFM30-A			●	●				
	AFM40-A			●	●	●			
	AFM40-06-A						●		
Micro Mist Separator 	AFD20-A		●	●					P.53
	AFD30-A			●	●				
	AFD40-A			●	●	●			
	AFD40-06-A						●		
Regulator 	AR10-A	●							P.62
	AR20-B		●	●					
	AR25-B			●	●				
	AR30-B			●	●				
	AR40-B			●	●	●			
	AR40-06-B						●		
	AR50-B						●	●	
AR60-B							●		
Regulator with Backflow Function 	AR20K-B		●	●					P.65
	AR25K-B			●	●				
	AR30K-B			●	●				
	AR40K-B			●	●	●			
	AR40K-06-B						●		
	AR50K-B						●	●	
AR60K-B							●		

Product	Model	Port size							INDEX	
		M5	1/8	1/4	3/8	1/2	3/4	1		
Lubricator 	AL	AL10-A	●							P.76
		AL20-A		●	●					
		AL30-A			●	●				
		AL40-A			●	●	●			
		AL40-06-A						●		
		AL50-A						●	●	
		AL60-A							●	
Filter Regulator 	AW	AW10-A	●							P.84
		AW20-B		●	●					
		AW30-B			●	●				
		AW40-B			●	●	●			
		AW40-06-B						●		
		AW60-B						●	●	
Filter Regulator with Backflow Function 	AW□K	AW20K-B		●	●					P.87
		AW30K-B			●	●				
		AW40K-B			●	●	●			
		AW40K-06-B						●		
		AW60K-B						●	●	

AC
AF+AR+AL
AW+AL
AF+AR
AF+AFM+AR
AW+AFM
Attachment
AF
AFM / AFD
AR
AL
AW

Simple Specials System

A system designed to respond quickly and easily to your special ordering needs



Short lead times

This system enables us to respond to your special needs, such as additional machining, accessory assembly, or modular unit, and deliver such special products as quickly as standard products.

Repeat orders

Once we receive a Simple Special part number from your previous order, we will process the order, manufacture the product, and deliver it to you.



The simple specials specification sheets can be downloaded from SMC website. For details, refer to the SMC website. (<http://www.smcworld.com>)

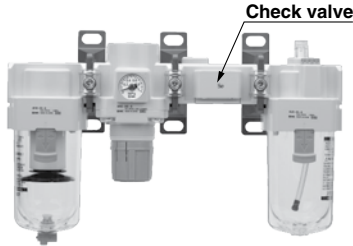


Attachment List

Check valve

Page 34

■ A check valve with intermediate branch port can be easily installed to prevent a backflow of lubricant when branching the air flow and releasing the air on the outlet side of the regulator.



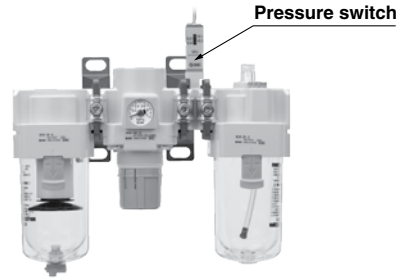
Applicable

- Air Filter + Regulator + Lubricator (AC20 to AC40-B)
- Filter Regulator + Lubricator (AC20A to AC40A-B)
- * Port size: Except 06

Pressure switch

Page 35

■ A compact integrated pressure switch can be easily installed and facilitates the pressure detection of the line.



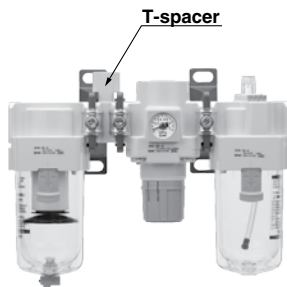
Applicable

- Air Filter + Regulator + Lubricator (AC20-B to AC60-B)
- Filter Regulator + Lubricator (AC20A-B to AC60A-B)
- Air Filter + Regulator (AC20B-B to AC60B-B)
- Air Filter + Mist Separator + Regulator (AC20C-B to AC60C-B)
- Filter Regulator + Mist Separator (AC20D-B to AC60D-B)

T-spacer

Page 35

■ Using a T-shaped spacer facilitates the branching of air flow.



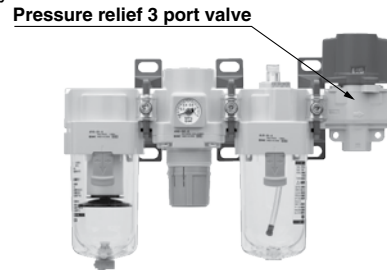
Applicable

- Air Filter + Regulator + Lubricator (AC10-A to AC60-B)
- Air Filter + Regulator (AC10B-A to AC60B-B)
- Air Filter + Mist Separator + Regulator (AC20C-B to AC40C-B)

Pressure relief 3 port valve

Page 36

■ With the use of a pressure relief 3 port valve, pressure left in the line can be easily exhausted.



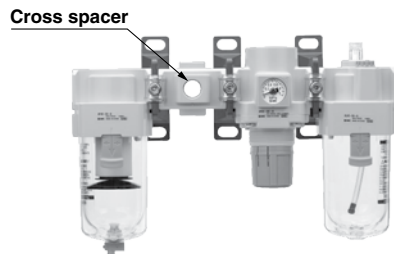
Applicable

- Air Filter + Regulator + Lubricator (AC20-B to AC50-B)
- Filter Regulator + Lubricator (AC20A-B to AC50A-B)
- Air Filter + Regulator (AC20B-B to AC50B-B)
- Air Filter + Mist Separator + Regulator (AC20C-B to AC40C-B)
- Filter Regulator + Mist Separator (AC20D-B to AC40D-B)

Cross spacer

Page 36

■ Pippings are possible in all 4 directions.

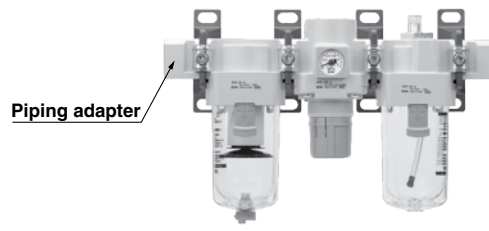


* Needs to be ordered separately.

Piping adapter

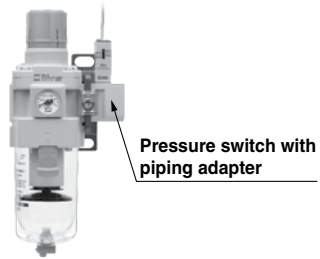
Page 37

■ A piping adapter allows installation/removal of the component without removing the piping and thus makes maintenance easier.



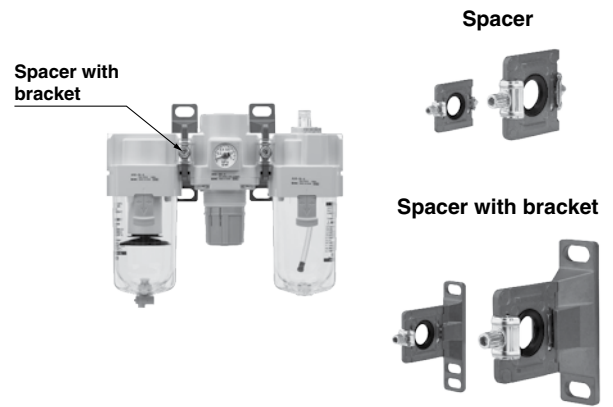
* Needs to be ordered separately.

Pressure switch with piping adapter **Page 37**



* Needs to be ordered separately.

Accessories (Spacer/Spacer with bracket) **Page 38**



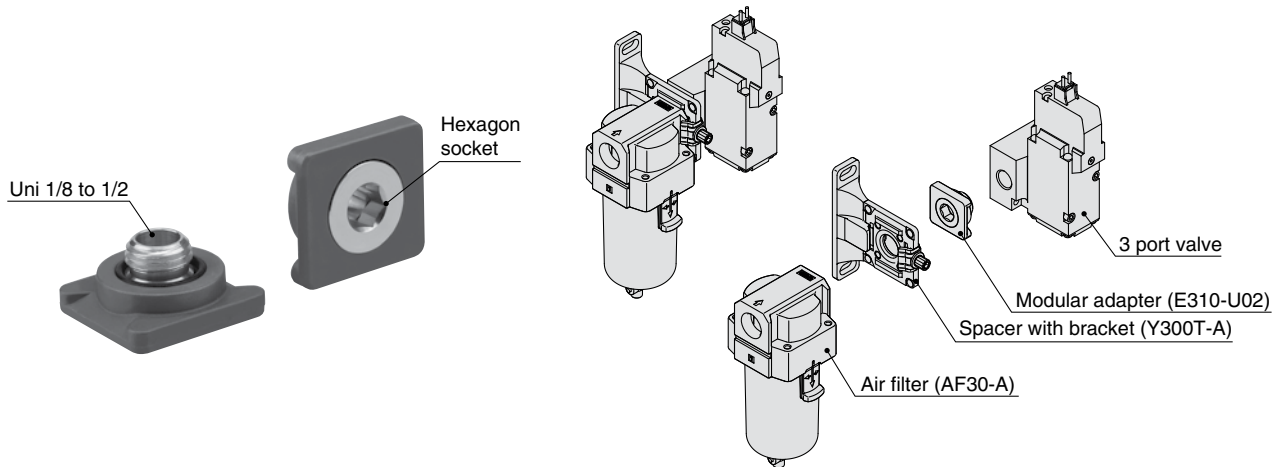
* Needs to be ordered separately.

Related Product

Modular adapter

Easy modular connections for all equipment!

Example) Air filter + 3 port valve



AC

AF+AR+AL

AW+AL

AF+AR

AF+AFM+AR

AW+AFM

Attachment

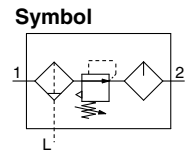
AF

AFM / AFD

AR

AL

AW



How to Order

Refer to page 9 for size 20 to 60.

AC10-M5 - - - **A**

① ② ③

- Option/Semi-standard: Select one each for a to h.
- Option/Semi-standard symbol: When more than one specification is required, indicate in alphanumeric order.
Example) AC10-M5CG-T-12NR-A

		Symbol	Description			
①	Option	a	Float type auto drain			
			<table border="1"> <tr> <td>Nil</td> <td>Without auto drain</td> </tr> <tr> <td>C <small>Note 1)</small></td> <td>N.C. (Normally closed) Drain port is closed when pressure is not applied.</td> </tr> </table>	Nil	Without auto drain	C <small>Note 1)</small>
		Nil	Without auto drain			
		C <small>Note 1)</small>	N.C. (Normally closed) Drain port is closed when pressure is not applied.			
b	Pressure gauge					
	<table border="1"> <tr> <td>Nil</td> <td>Without pressure gauge</td> </tr> <tr> <td>G <small>Note 2)</small></td> <td>Round type pressure gauge (without limit indicator)</td> </tr> </table>	Nil	Without pressure gauge	G <small>Note 2)</small>	Round type pressure gauge (without limit indicator)	
Nil	Without pressure gauge					
G <small>Note 2)</small>	Round type pressure gauge (without limit indicator)					
+						
②	Attachment (T-spacer) <small>Note 3)</small>	Nil	Without attachment			
		T	Mounting position: AF+T+AR+AL			
+						
③	Semi-standard	c	Set pressure <small>Note 4)</small>			
			<table border="1"> <tr> <td>Nil</td> <td>0.05 to 0.7 MPa (7.3 to 102 psi) setting</td> </tr> <tr> <td>1</td> <td>0.02 to 0.2 MPa (2.9 to 29 psi) setting</td> </tr> </table>	Nil	0.05 to 0.7 MPa (7.3 to 102 psi) setting	1
		Nil	0.05 to 0.7 MPa (7.3 to 102 psi) setting			
		1	0.02 to 0.2 MPa (2.9 to 29 psi) setting			
		+				
		d	Bowl <small>Note 5)</small>	Nil	Polycarbonate bowl	
				2	Metal bowl	
				6	Nylon bowl	
		+				
		e	Lubricator lubricant exhaust port	Nil	Without drain cock	
				3	Lubricator with drain cock	
		+				
f	Exhaust mechanism	Nil	Relieving type			
		N	Non-relieving type			
+						
g	Flow direction	Nil	Flow direction: Left to right			
		R	Flow direction: Right to left			
+						
h	Pressure unit	Nil	Name plate, caution plate for bowl, and pressure gauge in imperial units: MPa			
		Z <small>Note 6)</small>	Name plate, caution plate for bowl, and pressure gauge in imperial units: psi, °F			

Note 1) When pressure is not applied, condensate which does not start the auto drain mechanism will be left in the bowl.

Releasing the residual condensate before ending operations for the day is recommended.

Note 2) A 1.0 MPa (145 psi) pressure gauge will be fitted. It is not assembled and supplied loose at the time of shipment.

Note 3) The bracket position varies depending on the T-spacer mounting.

Note 4) Pressure can be set higher than the specification pressure in some cases, but use pressure within the specification range.

Note 5) Refer to Chemical data on page 46 for chemical resistance of the bowl.

Note 6) This product is for overseas use only according to the new Measurement Law. (The SI unit type is provided for use in Japan.)



AC10-A

Standard Specifications

Component	Air Filter [AF]	AF10-A
	Regulator [AR]	AR10-A
	Lubricator [AL]	AL10-A
Port size		M5 x 0.8
Pressure gauge port size [AR]		1/16
Fluid		Air
Ambient and fluid temperature		23 to 140°F (-5 to 60°C) (with no freezing)
Proof pressure		218 psi (1.5 MPa)
Maximum operating pressure		145 psi (1.0 MPa)
Set pressure range [AR]		7.3 to 102 psi (0.05 to 0.7 MPa)
Nominal filtration rating [AF]		5 μm
Recommended lubricant [AL]		Class 1 turbine oil (ISO VG32)
Bowl material [AF/AL]		Polycarbonate
Construction [AR]		Relieving type
Weight (kg)		0.27

Specific Product Precautions

Be sure to read this before handling. Refer to the back cover for Safety Instructions, “Handling Precautions for SMC Products” and the Operation Manual for F.R.L. Precautions, <http://www.smcworld.com>

Selection

Caution

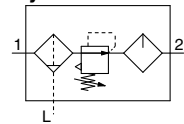
1. When releasing air at the intermediate position using a T-spacer on the inlet side of the lubricator, lubricant may back flow. Therefore, releasing air that does not contain traces of lubricant is not possible.
2. An F.R.L. unit shipped from the plant has its model number labeled. However, components that are combined together during the distribution process do not have a label on them.

Air Combination

Air Filter + Regulator + Lubricator

AC20-B to AC60-B

Symbol



How to Order

Refer to page 7 for size 10.

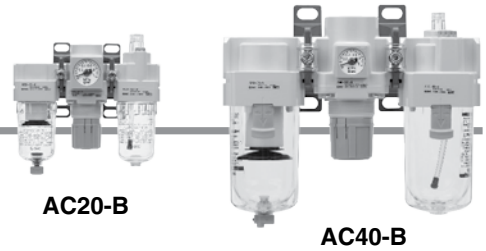
AC **30** - **03** **DE** - - - **B**

① ② ③ ④ ⑤ ⑥

- Option/Semi-standard: Select one each for **a** to **m**.
- Option/Attachment/Semi-standard symbol: When more than one specification is required, indicate in alphanumeric order. Example) AC30-F03DE1-KSTV-136NR-B

		Symbol	Description	⑥								
				Body size								
				20	25	30	40	50	55	60		
①	Pipe thread type	Nil	Rc	●	●	●	●	●	●	●		
		N ^{Note 1)}	NPT	●	●	●	●	●	●	●		
		F ^{Note 2)}	G	●	●	●	●	●	●	●		
+												
②	Port size	01	1/8	●	—	—	—	—	—	—		
		02	1/4	●	●	●	●	—	—	—		
		03	3/8	—	●	●	●	—	—	—		
		04	1/2	—	—	—	●	—	—	—		
		06	3/4	—	—	—	●	●	—	—		
		10	1	—	—	—	—	●	●	●		
+												
③	a	Float type auto drain	Nil	Without auto drain	●	●	●	●	●	●	●	
			C ^{Note 4)}	N.C. (Normally closed) Drain port is closed when pressure is not applied.	●	●	●	●	●	●	●	
			D ^{Note 5)}	N.O. (Normally open) Drain port is open when pressure is not applied.	—	●	●	●	●	●	●	
	+											
	b	Pressure gauge ^{Note 6)}	Nil	Without pressure gauge	●	●	●	●	●	●	●	
			E	Square embedded type pressure gauge (with limit indicator)	●	●	●	●	●	●	●	
			G	Round type pressure gauge (with limit indicator)	●	●	●	●	●	●	●	
			M	Round type pressure gauge (with color zone)	●	●	●	●	●	●	●	
		Digital pressure switch	E1	Output: NPN output/Electrical entry: Wiring bottom entry	●	●	●	●	●	●	●	●
			E2	Output: NPN output/Electrical entry: Wiring top entry	●	●	●	●	●	●	●	●
			E3	Output: PNP output/Electrical entry: Wiring bottom entry	●	●	●	●	●	●	●	●
			E4	Output: PNP output/Electrical entry: Wiring top entry	●	●	●	●	●	●	●	●
+												
④	c	Check valve	Nil	Without attachment	●	●	●	●	●	●	●	
			K	Mounting position: AF+AR+K+AL	●	●	●	● ^{Note 7)}	—	—	—	
	+											
	d	Pressure switch	Nil	Without attachment	●	●	●	●	●	●	●	
			S ^{Note 8)}	Mounting position: AF+AR+S+AL	●	●	●	●	●	●	●	
	+											
	e	T-spacer	Nil	Without attachment	●	●	●	●	●	●	●	
			T ^{Note 8)}	Mounting position: AF+T+AR+AL	●	●	●	●	●	●	●	
	+											
	f	Pressure relief 3 port valve	Nil	Without attachment	●	●	●	●	●	●	●	
V			Mounting position: AF+AR+AL+V	●	●	●	●	●	—	—		
+												
g	Set pressure ^{Note 9)}	Nil	7.3 to 123 psi (0.05 to 0.85 MPa setting)	●	●	●	●	●	●	●		
		1	2.9 to 29 psi (0.02 to 0.2 MPa setting)	●	●	●	●	●	●	●		
+												
⑤	h	Bowl ^{Note 10)}	Nil	Polycarbonate bowl	●	●	●	●	●	●	●	
			2	Metal bowl	●	●	●	●	●	●	●	
			6	Nylon bowl	●	●	●	●	●	●	●	
			8	Metal bowl with level gauge	—	●	●	●	●	●	●	
			C	With bowl guard	●	^{Note 11)}	^{Note 11)}	^{Note 11)}	^{Note 11)}	^{Note 11)}	^{Note 11)}	
			6C	Nylon bowl with bowl guard	●	^{Note 12)}	^{Note 12)}	^{Note 12)}	^{Note 12)}	^{Note 12)}	^{Note 12)}	

Air Combination **AC20-B to AC60-B**



		Symbol	Description	①							
				Body size							
				20	25	30	40	50	55	60	
6	Semi-standard	i	Nil	With drain cock	●	●	●	●	●	●	●
			J ^{Note 14)}	Drain guide 1/8	●	—	—	—	—	—	—
			W ^{Note 15)}	Drain guide 1/4	—	●	●	●	●	●	●
		+									
		j	Nil	Without drain cock	●	●	●	●	●	●	●
			3 ^{Note 16)}	Lubricator with drain cock	●	●	●	●	●	●	●
	k	Nil	Relieving type	●	●	●	●	●	●	●	
		N	Non-relieving type	●	●	●	●	●	●	●	
	l	Nil	Flow direction: Left to right	●	●	●	●	●	●	●	
		R	Flow direction: Right to left	●	●	●	●	●	●	●	
	m	Nil	Name plate, caution plate for bowl, and pressure gauge in imperial units: MPa	●	●	●	●	●	●	●	●
		Z ^{Note 17)}	Name plate, caution plate for bowl, and pressure gauge in imperial units: psi, °F	○ ^{Note 19)}	○ ^{Note 19)}	○ ^{Note 19)}	○ ^{Note 19)}	○ ^{Note 19)}	○ ^{Note 19)}	○ ^{Note 19)}	○ ^{Note 19)}
ZA ^{Note 18)}		Digital pressure switch: With unit conversion function	△ ^{Note 20)}	△ ^{Note 20)}	△ ^{Note 20)}	△ ^{Note 20)}	△ ^{Note 20)}	△ ^{Note 20)}	△ ^{Note 20)}	△ ^{Note 20)}	

- Note 1) Drain guide is NPT1/8 (applicable to the AC20-B) and NPT1/4 (applicable to the AC25-B to AC60-B). The auto drain port comes with ø3/8" One-touch fitting (applicable to the AC25-B to AC60-B).
- Note 2) Drain guide is G1/8 (applicable to the AC20-B) and G1/4 (applicable to the AC25-B to AC60-B).
- Note 3) Option G, M are not assembled and supplied loose at the time of shipment.
- Note 4) When pressure is not applied, condensate which does not start the auto drain mechanism will be left in the bowl. Releasing the residual condensate before ending operations for the day is recommended.
- Note 5) If the compressor is small (0.75 kW, discharge flow is less than 3.5 scfm (100 L/min) [ANR]), air leakage from the drain cock may occur during start of operations. N.C. type is recommended.

- Note 6) When the pressure gauge is attached, a 145 psi (1.0 MPa) pressure gauge will be fitted for standard (123 psi [0.85 MPa]) type. 58 psi (0.4 MPa) pressure gauge for 29 psi (0.2 MPa) type.
- Note 7) Not available with piping port size: 06
- Note 8) The bracket position varies depending on the T-spacer or pressure switch mounting.
- Note 9) Pressure can be set higher than the specification pressure in some cases, but use pressure within the specification range.
- Note 10) Refer to Chemical data on page 46 for chemical resistance of the bowl.
- Note 11) A bowl guard is provided as standard equipment (polycarbonate).
- Note 12) A bowl guard is provided as standard equipment (nylon).
- Note 13) The combination of float type auto drain: C and D is not available.

- Note 14) Without a valve function
- Note 15) The combination of metal bowl: 2 and 8 is not available.
- Note 16) When choosing with W: Filter drain port, the drain cock of a lubricator will be with barb fittings.
- Note 17) For pipe thread type: NPT.
This product is for overseas use only according to the new Measurement Law. (The SI unit type is provided for use in Japan.)
Cannot be used with M: Round pressure gauge (with color zone). Available by request for special. The digital pressure switch will be equipped with the unit conversion function, setting to psi initially.
- Note 18) For options: E1, E2, E3, E4. This product is for overseas use only according to the new Measurement Law. (The SI unit is provided for use in Japan.)
- Note 19) ○: For pipe thread type: NPT only
- Note 20) △: Select with options: E1, E2, E3, E4.

Standard Specifications

Model	AC20-B	AC25-B	AC30-B	AC40-B	AC40-06-B	AC50-B	AC55-B	AC60-B	
Component	Air Filter [AF]	AF20-A	AF30-A	AF30-A	AF40-A	AF40-06-A	AF50-A	AF60-A	AF60-A
	Regulator [AR]	AR20-B	AR25-B	AR30-B	AR40-B	AR40-06-B	AR50-B	AR50-B	AR60-B
	Lubricator [AL]	AL20-A	AL30-A	AL30-A	AL40-A	AL40-06-A	AL50-A	AL60-A	AL60-A
Port size	1/8, 1/4	1/4, 3/8	1/4, 3/8	1/4, 3/8, 1/2	3/4	3/4, 1	1	1	
Pressure gauge port size [AR] ^{Note 1)}	1/8								
Fluid	Air								
Ambient and fluid temperature ^{Note 2)}	23 to 140°F (-5 to 60°C) (with no freezing)								
Proof pressure	218 psi (1.5 MPa)								
Maximum operating pressure	145 psi (1.0 MPa)								
Set pressure range [AR]	7.3 to 123 psi (0.05 to 0.85 MPa)								
Nominal filtration rating [AF]	5 μm								
Recommended lubricant [AL]	Class 1 turbine oil (ISO VG32)								
Bowl material [AF/AL]	Polycarbonate								
Bowl guard [AF/AL]	Standard (Polycarbonate)								
Construction [AR]	Relieving type								
Weight (kg)	0.39	0.70	0.78	1.39	1.53	3.43	3.71	3.76	

- Note 1) Pressure gauge connection threads are not available for F.R.L. unit with a square embedded type pressure gauge or with a digital pressure switch.
- Note 2) 23 to 122°F (-5 to 50°C) for the products with the digital pressure switch

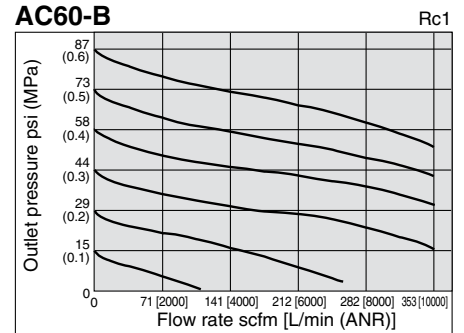
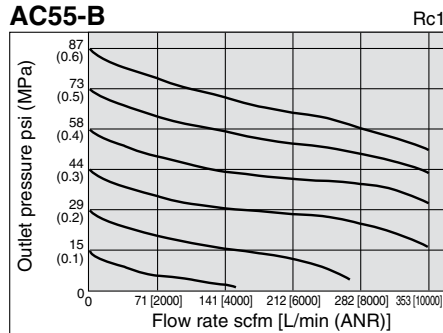
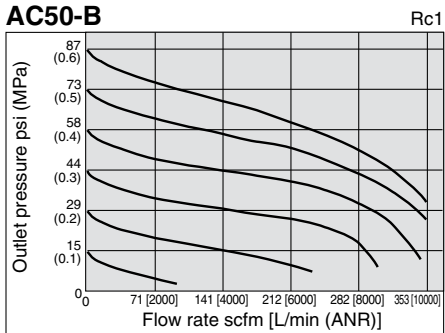
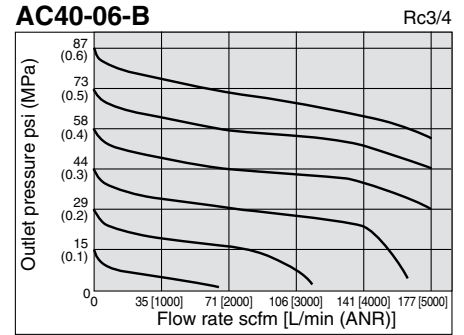
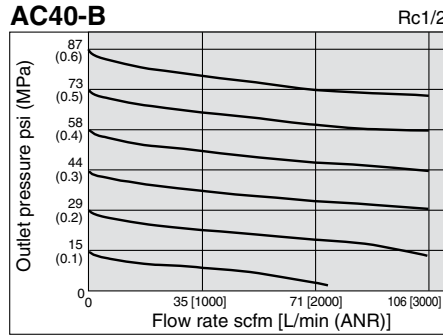
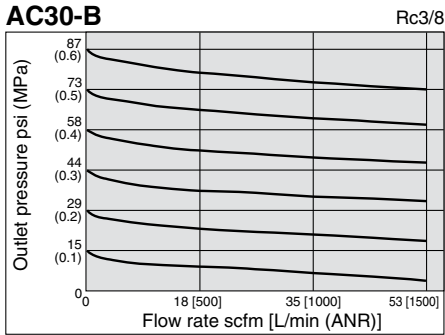
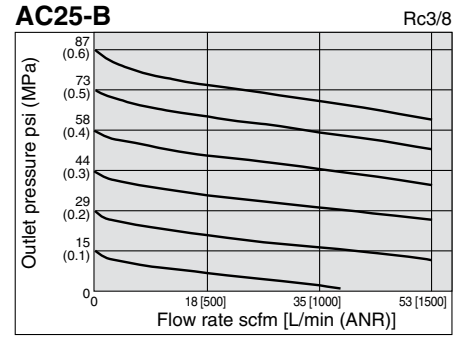
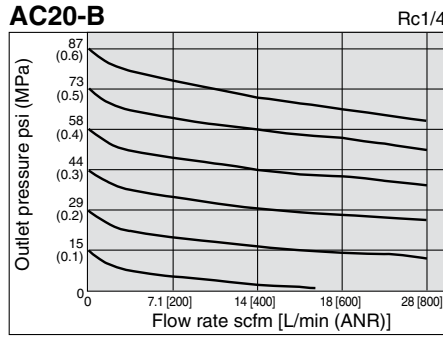
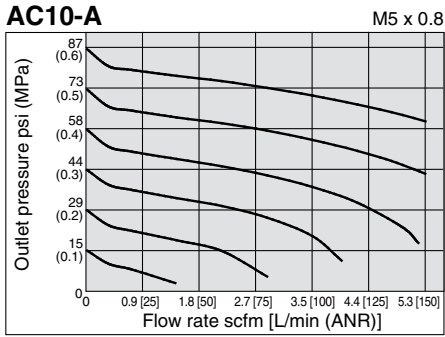


AC
AF+AR+AL
AW+AL
AF+AR
AF+AFM+AR
AW+AFM
Attachment
AF
AFM / AFD
AR
AL
AW

AC10-A/AC20-B to AC60-B

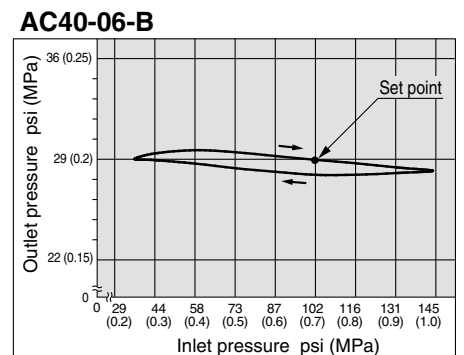
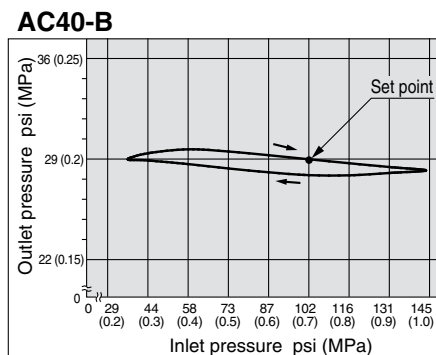
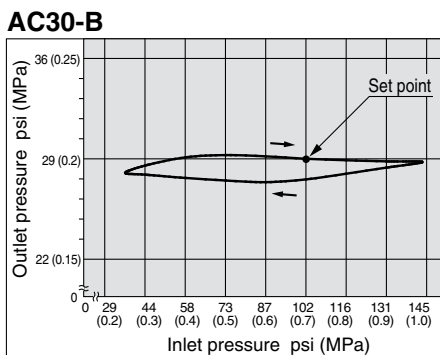
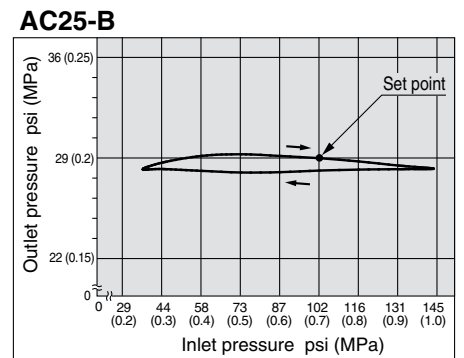
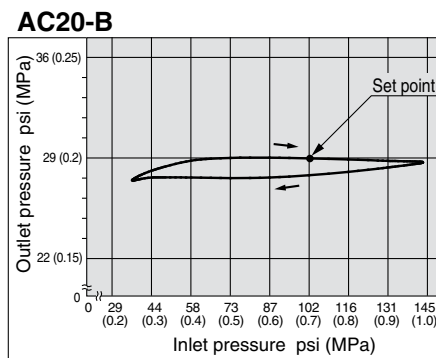
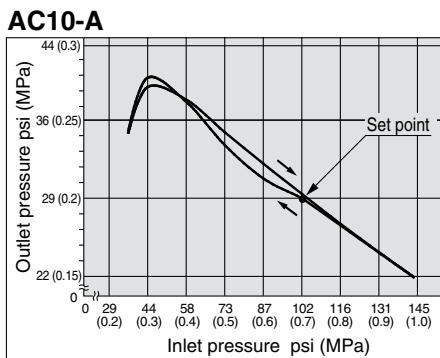
Flow-rate Characteristics (Representative values)

Condition: Inlet pressure 102 psi (0.7 MPa)



Pressure Characteristics (Representative values)

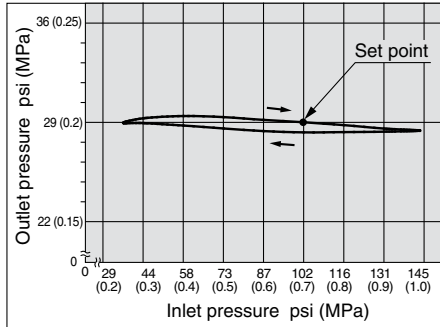
Conditions: Inlet pressure 102 psi (0.7 MPa), Outlet pressure 29 psi (0.2 MPa), Flow rate 0.7 scfm [20 L/min (ANR)]



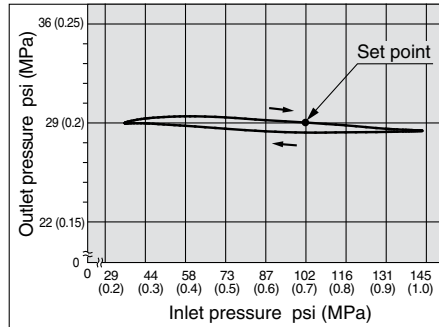
Pressure Characteristics (Representative values)

Conditions: Inlet pressure 102 psi (0.7 MPa), Outlet pressure 29 psi (0.2 MPa), Flow rate 0.7 scfm [20 L/min (ANR)]

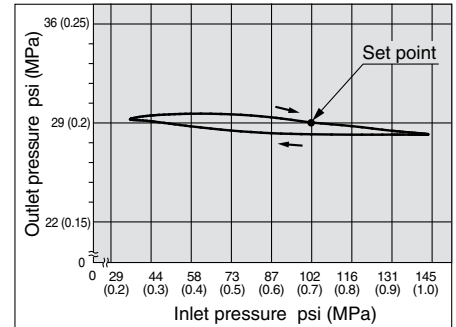
AC50-B



AC55-B



AC60-B



⚠ Specific Product Precautions

Be sure to read this before handling. Refer to the back cover for Safety Instructions, "Handling Precautions for SMC Products" and the Operation Manual for F.R.L. Precautions, <http://www.smcworld.com>

Mounting/Adjustment

⚠ Caution

1. A knob cover is available to prevent careless operation of the knob. Refer to page 97 for details.

Piping

⚠ Warning

1. When mounting a check valve, make sure the arrow (IN side) points in the correct direction of air flow.

Air Supply

⚠ Caution

1. Use an air filter with 5 μm or less filtration rating on the inlet side of the valve to avoid any damage to the seat caused by dust when mounting a pressure relief 3 port valve on the inlet side.

Mounting/Adjustment

⚠ Caution

1. When the bowl is installed on the air filter, filter regulator, lubricator, mist separator, or micro mist separator (AC25-B to AC60-B), install them so that the lock button lines up to the groove of the front (or the back) of the body to avoid drop or damage of the bowl.



Selection

⚠ Warning

1. Float type auto drain
 - Operate under the following conditions to avoid malfunction.
 - <N.O. type>
 - Operating compressor: 0.75 kW (3.5 scfm [100 L/min (ANR)]) or more.
 - When using 2 or more auto drains, multiply the value above by the number of auto drains to find the capacity of the compressors you will need.
 - For example, when using 2 auto drains, 1.5 kW (7.1 scfm [200 L/min (ANR)]) of the compressor capacity is required.
 - Operating pressure: 15 psi (0.1 MPa) or more
 - <N.C. type>
 - Operating pressure for AD27-A: 0.1 MPa or more
 - Operating pressure for AD37-A/AD47-A: 22 psi (0.15 MPa) or more
2. Use a regulator or filter regulator with backflow function when mounting a pressure release 3 port valve on the inlet side to ensure the release of the residual pressure. Otherwise, residual pressure will not be fully released.

⚠ Caution

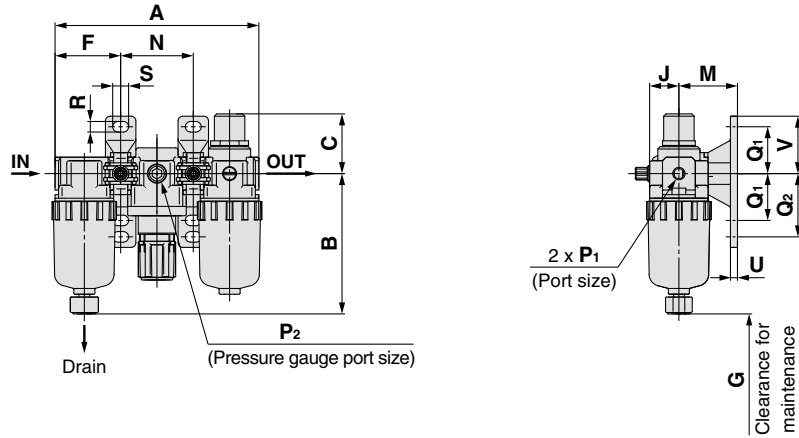
1. When releasing air at the intermediate position using a T-spacer on the inlet side of the lubricator, lubricant may back flow. Therefore, releasing air that does not contain traces of lubricant is not possible.
 - To release air that does not contain traces of lubricant, use a check valve (Series AKM) on the inlet side of the lubricator to prevent a backflow of the lubricant.
2. If a pressure relief 3 port valve is mounted on the inlet side of the lubricator, causing a backflow of air, it can result in a backflow of oil or damage to internal parts. Do not use it in this fashion.
3. An F.R.L. unit shipped from the plant has its model number labeled. However, components that are combined together during the distribution process do not have a label on them.

AC
AF+AR+AL
AW+AL
AF+AR
AF+AFM+AR
AW+AFM
Attachment
AF
AFM / AFD
AR
AL
AW

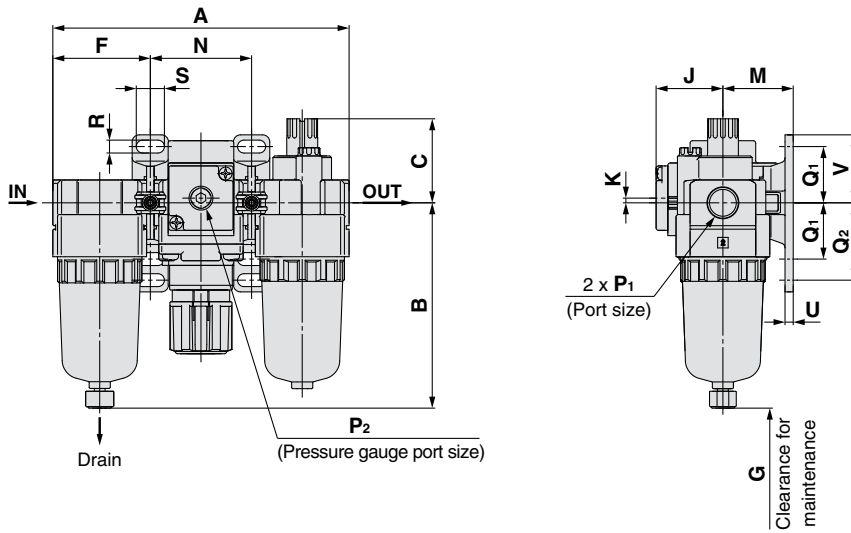
Series AC10-A/series AC20-B to AC60-B

Dimensions

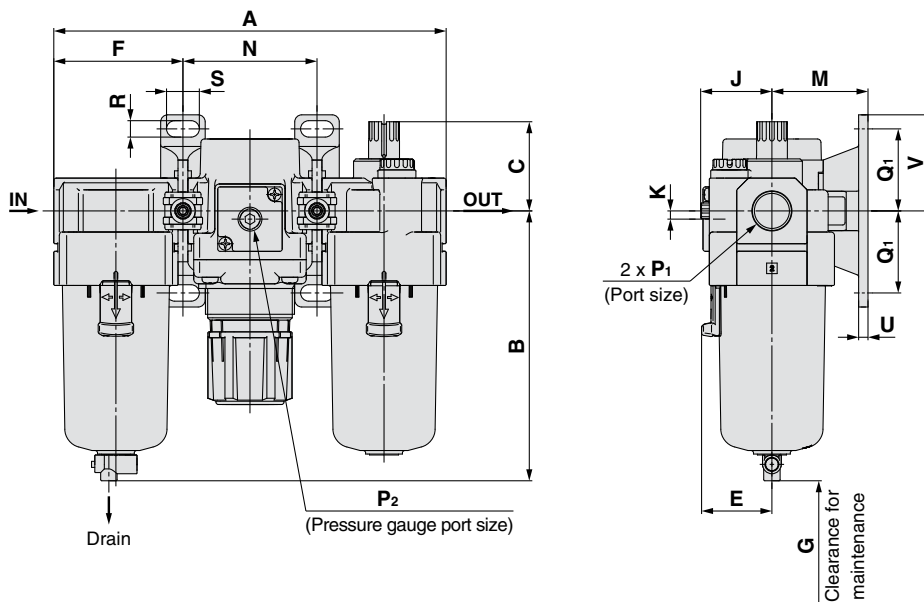
AC10-A



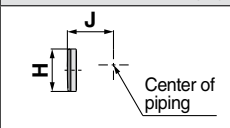
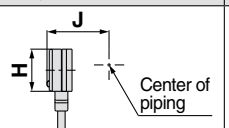
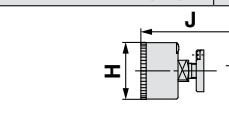
AC20-B

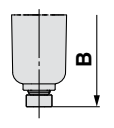
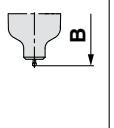
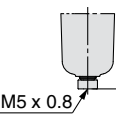
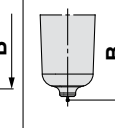
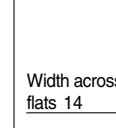
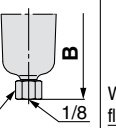
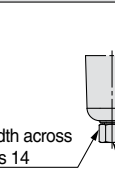


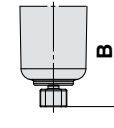
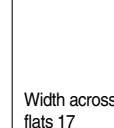
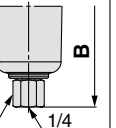
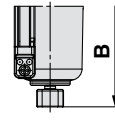
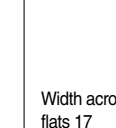
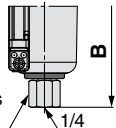
AC25-B to AC60-B



Air Combination Series AC10-A/Series AC20-B to AC60-B

Option	Square embedded type pressure gauge	Digital pressure switch	Round type pressure gauge	Round type pressure gauge (with color zone)
Dimensions				

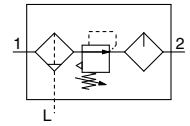
Applicable model	AC10-A		AC20-B				AC25-B to AC60-B	
	Optional/ Semi-standard specifications	With auto drain	Metal bowl	With auto drain	Metal bowl	With drain guide	Metal bowl with drain guide	With auto drain (N.O./N.C.)
Dimensions								N.O.: Black N.C.: Gray Thread type/Rc, G: ø10 One-touch fitting Thread type/NPT: ø3/8" One-touch fitting

Applicable model	AC25-B to AC60-B						
	Optional/ Semi-standard specifications	Metal bowl	Metal bowl with drain guide	Metal bowl with level gauge	Metal bowl with level gauge, with drain guide	With drain guide	Drain cock with barb fitting
Dimensions							Barb fitting applicable tubing: T0604

Model	Standard specifications																	
	P ₁	P ₂	A	B	C	E	F	G	J	K	Bracket mount							
											M	N	Q ₁	Q ₂	R	S	U	V
AC10-A	M5 x 0.8	1/16	87	59.9	25.5	—	28	35	12.5	—	25	31	20	27	4.5	6.8	3	24.5
AC20-B	1/8, 1/4	1/8	126.4	87.6	35.9	—	41.6	60	28.5	2 ^(Note)	30	43.2	24	33	5.5	12	3.5	29
AC25-B	1/4, 3/8	1/8	167.4	115.1	38.1	30	55.1	80	27.5	0	41	57.2	35	—	7	14	4	41
AC30-B	1/4, 3/8	1/8	167.4	115.1	38.1	30	55.1	80	29.4	3.5	41	57.2	35	—	7	14	4	41
AC40-B	1/4, 3/8, 1/2	1/8	220.4	147.1	39.8	38.4	72.6	110	33.8	3.5	50	75.2	40	—	9	18	5	48
AC40-06-B	3/4	1/8	235.4	149.1	37.8	38.4	77.6	110	33.8	3	50	80.2	40	—	9	18	5	48
AC50-B	3/4, 1	1/8	282.4	220.1	41.2	—	93.1	110	43.3	3.2	70	96.2	50	—	11	20	6	60
AC55-B	1	1/8	292.4	234.1	44.7	—	98.1	110	43.3	3.2	70	96.2	50	—	11	20	6	60
AC60-B	1	1/8	297.4	234.1	44.7	—	98.1	110	43.3	3.2	70	101.2	50	—	11	20	6	60

Model	Optional specifications								Semi-standard specifications							
	Square type pressure gauge		Digital pressure switch		Round type pressure gauge		Round type pressure gauge (with color zone)		With auto drain	With barb fitting	With drain guide	Metal bowl	Metal bowl with drain guide	Metal bowl with level gauge	Metal bowl with level gauge, with drain guide	
	H	J	H	J	H	J	H	J	B	B	B	B	B	B	B	
AC10-A	—	—	—	—	ø26	26	—	—	77.9	—	—	59.3	—	—	—	
AC20-B	□28	29.5	□27.8	40	ø37.5	65	ø37.5	66	104.9	—	91.4	87.4	93.9	—	—	
AC25-B	□28	28.5	□27.8	39	ø37.5	64	ø37.5	65	156.8	123.6	121.9	117.6	122.1	137.6	142.1	
AC30-B	□28	30.4	□27.8	40.9	ø37.5	65.9	ø37.5	66.9	156.8	123.6	121.9	117.6	122.1	137.6	142.1	
AC40-B	□28	34.8	□27.8	45.3	ø42.5	71.3	ø42.5	71.3	186.9	155.6	153.9	149.6	154.1	169.6	174.1	
AC40-06-B	□28	34.8	□27.8	45.3	ø42.5	71.3	ø42.5	71.3	188.9	157.6	155.9	151.6	156.1	171.6	176.1	
AC50-B	□28	44.3	□27.8	54.8	ø42.5	80.8	ø42.5	80.8	259.9	228.6	226.9	222.6	227.1	242.6	247.1	
AC55-B	□28	44.3	□27.8	54.8	ø42.5	80.8	ø42.5	80.8	273.9	242.6	240.9	236.6	241.1	256.6	261.1	
AC60-B	□28	44.3	□27.8	54.8	ø42.5	80.8	ø42.5	80.8	273.9	242.6	240.9	236.6	241.1	256.6	261.1	

Note) For the AC20-B only, the position of the pressure gauge is above the center of the piping.



How to Order

Refer to page 17 for size 20 to 60.

AC10A-M5 - -A

① ②

- Option/Semi-standard: Select one each for **a** to **h**.
- Option/Semi-standard symbol: When more than one specification is required, indicate in alphanumeric order.
Example) AC10-M5CG-T-12NR-A

		Symbol	Description		
①	Option	a	Float type auto drain	Nil Without auto drain	
			C <small>Note 1)</small> N.C. (Normally closed) Drain port is closed when pressure is not applied.		
		b	Pressure gauge	Nil Without pressure gauge	
			G <small>Note 2)</small> Round type pressure gauge (without limit indicator)		
+					
②	Attachment (T-spacer) <small>Note 3)</small>	Nil Without attachment			
		T Mounting position: AW+T+AL			
+					
③	Semi-standard	c	Set pressure <small>Note 4)</small>	Nil 7.3 to 102 psi (0.05 to 0.7 MPa) setting	
			1 2.9 to 29 psi (0.02 to 0.2 MPa) setting		
		+			
		d	Bowl <small>Note 5)</small>	Nil Polycarbonate bowl	
			2 Metal bowl		
			6 Nylon bowl		
		+			
		e	Lubricator lubricant exhaust port	Nil Without drain cock	
			3 Lubricator with drain cock		
		+			
		f	Exhaust mechanism	Nil Relieving type	
			N Non-relieving type		
+					
g	Flow direction	Nil Flow direction: Left to right			
	R Flow direction: Right to left				
+					
h	Pressure unit	Nil Name plate, caution plate for bowl, and pressure gauge in imperial units: MPa			
	Z <small>Note 6)</small> Name plate, caution plate for bowl, and pressure gauge in imperial units: psi, °F				

Note 1) When pressure is not applied, condensate which does not start the auto drain mechanism will be left in the bowl.

Releasing the residual condensate before ending operations for the day is recommended.

Note 2) A 1.0 MPa (145 psi) pressure gauge will be fitted. It is not assembled and supplied loose at the time of shipment.

Note 3) The bracket position varies depending on the T-spacer mounting.

Note 4) Pressure can be set higher than the specification pressure in some cases, but use pressure within the specification range.

Note 5) Refer to Chemical data on page 46 for chemical resistance of the bowl.

Note 6) This product is for overseas use only according to the new Measurement Law. (The SI unit type is provided for use in Japan.)



AC10A-A

Standard Specifications

Component	Filter Regulator [AW]	AW10-A
	Lubricator [AL]	AL10-A
Port size		M5 x 0.8
Pressure gauge port size [AW]		1/16
Fluid		Air
Ambient and fluid temperature		23 to 140°F (-5 to 60°C) (with no freezing)
Proof pressure		218 spi (1.5 MPa)
Maximum operating pressure		145 psi (1.0 MPa)
Set pressure range [AW]		7.3 to 102 psi (0.05 to 0.7 MPa)
Nominal filtration rating [AW]		5 μm
Recommended lubricant [AL]		Class 1 turbine oil (ISO VG32)
Bowl material [AW/AL]		Polycarbonate
Construction [AW]		Relieving type
Weight (kg)		0.2

AC

AF+AR+AL

AW+AL

AF+AR

AF+AFM+AR

AW+AFM

Attachment

AF

AFM / AFD

AR

AL

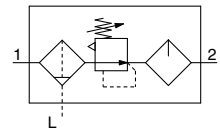
AW

Air Combination

Filter Regulator + Lubricator

AC20A-B to AC60A-B

Symbol



How to Order

Refer to page 15 for size 10.

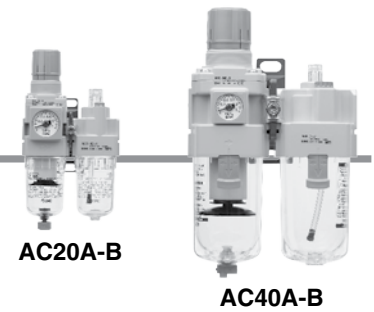
AC **30** A - **03** DE - - - B

① ② ③ ④ ⑤ ⑥

- Option/Semi-standard: Select one each for a to l.
- Option/Attachment/Semi-standard symbol: When more than one specification is required, indicate in alphanumeric order.
Example AC30A-F03DE1-KSV-136NR-B

	Symbol	Description	①					
			Body size					
			20	30	40	50	60	
②	Pipe thread type	Nil	Rc					
		N ^{Note 1)}	NPT					
		F ^{Note 2)}	G					
+								
③	Port size	01	1/8					
		02	1/4					
		03	3/8					
		04	1/2					
		06	3/4					
		10	1					
+								
④ Option ^{Note 3)}	a	Float type auto drain	Nil	Without auto drain				
			C ^{Note 4)}	N.C. (Normally closed) Drain port is closed when pressure is not applied.				
			D ^{Note 5)}	N.O. (Normally open) Drain port is open when pressure is not applied.				
	+							
	b	Pressure gauge ^{Note 6)}	Nil	Without pressure gauge				
			E	Square embedded type pressure gauge (with limit indicator)				
			G	Round type pressure gauge (with limit indicator)				
			M	Round type pressure gauge (with color zone)				
		Digital pressure switch	E1	Output: NPN output/Electrical entry: Wiring bottom entry				
			E2	Output: NPN output/Electrical entry: Wiring top entry				
E3			Output: PNP output/Electrical entry: Wiring bottom entry					
+								
⑤ Attachment	c	Check valve	Nil	Without attachment				
			K	Mounting position: AW+K+AL				
	+							
	d	Pressure switch	Nil	Without attachment				
			S ^{Note 8)}	Mounting position: AW+S+AL				
+								
e	Pressure relief 3 port valve	Nil	Without attachment					
		V	Mounting position: AW+AL+V					
+								
⑥ Semi-standard	f	Set pressure ^{Note 9)}	Nil	7.3 to 102 psi (0.05 to 0.85 MPa setting)				
			1	2.9 to 29 (0.02 to 0.2 MPa setting)				
	+							
	g	Bowl ^{Note 10)}	Nil	Polycarbonate bowl				
			2	Metal bowl				
			6	Nylon bowl				
			8	Metal bowl with level gauge				
			C	With bowl guard				
			6C	Nylon bowl with bowl guard				
	+							
	h	Filter regulator drain port ^{Note 13)}	Nil	With drain cock				
			J ^{Note 14)}	Drain guide 1/8				
				Drain guide 1/4				
			W ^{Note 15)}	Drain cock with barb fitting: For ø6 x ø4 nylon tube				

Air Combination Series **AC20A-B to AC60A-B**



		Symbol	Description	①						
				Body size						
				20	30	40	50	60		
6	Semi-standard	i	Lubricator lubricant exhaust port	Nil	Without drain cock	●	●	●	●	●
				3 ^{Note 16)}	Lubricator with drain cock	●	●	●	●	●
		+								
		j	Exhaust mechanism	Nil	Relieving type	●	●	●	●	●
				N	Non-relieving type	●	●	●	●	●
		+								
		k	Flow direction	Nil	Flow direction: Left to right	●	●	●	●	●
				R	Flow direction: Right to left	●	●	●	●	●
		+								
		l	Pressure unit	Nil	Name plate, caution plate for bowl, and pressure gauge in imperial units: MPa	●	●	●	●	●
Z ^{Note 17)}	Name plate, caution plate for bowl, and pressure gauge in imperial units: psi, °F			○ ^{Note 19)}	○ ^{Note 19)}	○ ^{Note 19)}	○ ^{Note 19)}	○ ^{Note 19)}		
ZA ^{Note 18)}	Digital pressure switch: With unit conversion function			△ ^{Note 20)}	△ ^{Note 20)}	△ ^{Note 20)}	△ ^{Note 20)}	△ ^{Note 20)}		

Note 1) Drain guide is NPT1/8 (applicable to the AC20A-B) and NPT1/4 (applicable to the AC30A-B to AC60A-B).
The auto drain port comes with ø3/8" One-touch fitting (applicable to the AC30A-B to AC60A-B).

Note 2) Drain guide is G1/8 (applicable to the AC20A-B) and G1/4 (applicable to the AC30A-B to AC60A-B).

Note 3) Option G, M are not assembled and supplied loose at the time of shipment.

Note 4) When pressure is not applied, condensate which does not start the auto drain mechanism will be left in the bowl. Releasing the residual condensate before ending operations for the day is recommended.

Note 5) If the compressor is small (0.75 kW, discharge flow is less than 100 L/min[ANR]), air leakage from the drain cock may occur during start of operations. N.C. type is recommended.

Note 6) When the pressure gauge is attached, a 145 psi

(1.0 MPa) pressure gauge will be fitted for standard (123 psi (0.85 MPa)) type. 58 psi (0.4 MPa) pressure gauge for 29 psi (0.2 MPa) type.

Note 7) Not available with piping port size: 06

Note 8) The bracket position varies depending on the pressure switch mounting.

Note 9) Pressure can be set higher than the specification pressure in some cases, but use pressure within the specification range.

Note 10) Refer to Chemical data on page 46 for chemical resistance of the bowl.

Note 11) A bowl guard is provided as standard equipment (polycarbonate).

Note 12) A bowl guard is provided as standard equipment (nylon).

Note 13) The combination of float type auto drain: C and D is not available.

Note 14) Without a valve function

Note 15) The combination of metal bowl: 2 and 8 is not available.

Note 16) When choosing with W: Filter drain port, the drain cock of a lubricator will be with barb fittings.

Note 17) For pipe thread type: NPT.
This product is for overseas use only according to the new Measurement Law. (The SI unit type is provided for use in Japan.)
Cannot be used with M: Round pressure gauge (with color zone). Available by request for special. The digital pressure switch will be equipped with the unit conversion function, setting to psi initially.

Note 18) For options: E1, E2, E3, E4. This product is for overseas use only according to the new Measurement Law. (The SI unit is provided for use in Japan.)

Note 19) ○: For pipe thread type: NPT only
Note 20) △: Select with options: E1, E2, E3, E4.

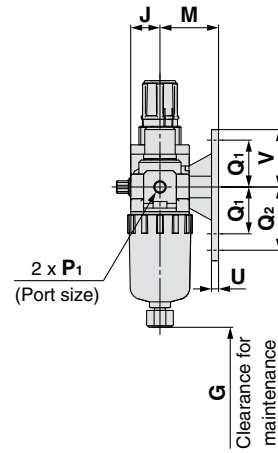
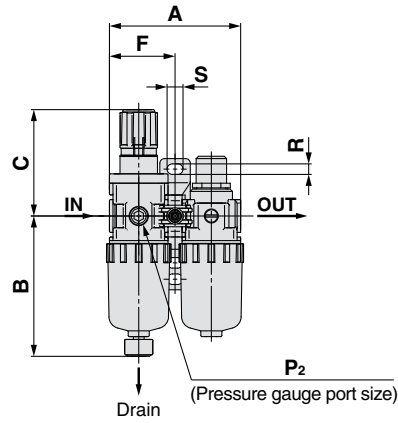
Model		AC20A-B	AC30A-B	AC40A-B	AC40A-06-B	AC50A-B	AC60A-B
Component	Filter Regulator [AW]	AW20-B	AW30-B	AW40-B	AW40-06-B	AW60-B	AW60-B
	Lubricator [AL]	AL20-A	AL30-A	AL40-A	AL40-06-A	AL50-A	AL60-A
Port size		1/8, 1/4	1/4, 3/8	1/4, 3/8, 1/2	3/4	3/4, 1	1
Pressure gauge port size [AW] ^{Note 1)}		1/8					
Fluid		Air					
Ambient and fluid temperature ^{Note 2)}		23 to 140°F (-5 to 60°C) (with no freezing)					
Proof pressure		218 psi (1.5 MPa)					
Maximum operating pressure		145 psi (1.0 MPa)					
Set pressure range [AW]		7.3 to 123 psi (0.05 to 0.85 MPa)					
Nominal filtration rating [AW]		5 μm					
Recommended lubricant [AL]		Class 1 turbine oil (ISO VG32)					
Bowl material [AW/AL]		Polycarbonate					
Bowl guard [AW/AL]		Semi-standard (Steel)	Standard (Polycarbonate)				
Construction [AW]		Relieving type					
Weight (kg)		0.33	0.63	1.15	1.25	3.21	3.36

Note 1) Pressure gauge connection threads are not available for F.R.L. unit with a square embedded type pressure gauge or with a digital pressure switch.
Note 2) 23 to 122°F (-5 to 50°C) for the products with the digital pressure switch

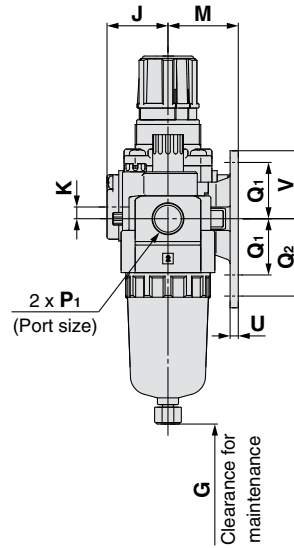
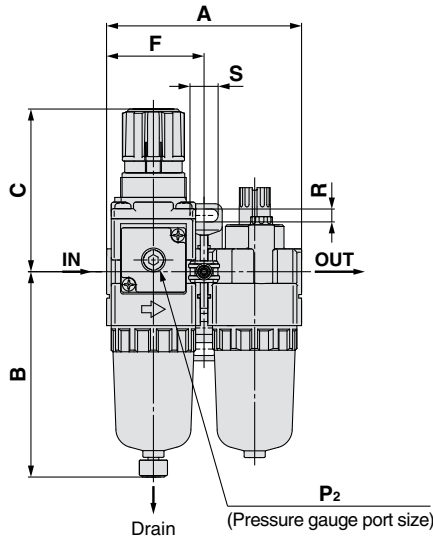
Series AC10A-A/Series AC20A-B to AC60A-B

Dimensions

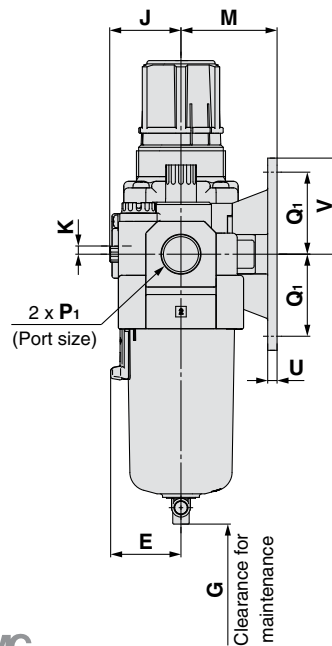
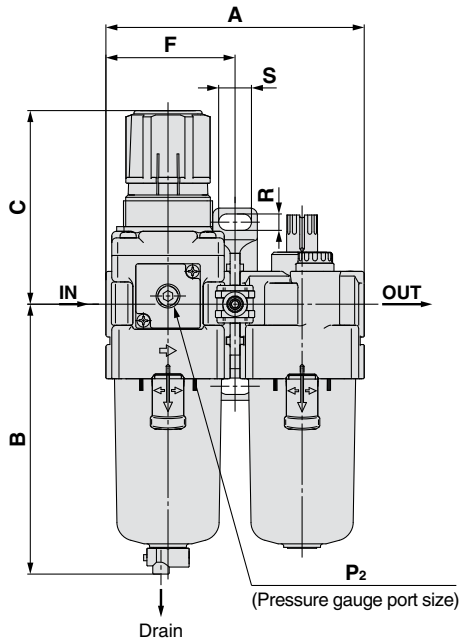
AC10A-A



AC20A-B



AC30A-B to AC60A-B



Air Combination Series **AC10-A-A**/Series **AC20A-B to AC60A-B**

Option	Square embedded type pressure gauge	Digital pressure switch	Round type pressure gauge	Round type pressure gauge (with color zone)
Dimensions				

Applicable model	AC10A-A		AC20A-B				AC30A-B to AC60A-B
Optional/Semi-standard specifications	With auto drain	Metal bowl	With auto drain	Metal bowl	With drain guide	Metal bowl with drain guide	With auto drain (N.O./N.C.)
Dimensions							

Applicable model	AC30A-B to AC60A-B					
Optional/Semi-standard specifications	Metal bowl	Metal bowl with drain guide	Metal bowl with level gauge	Metal bowl with level gauge, with drain guide	With drain guide	Drain cock with barb fitting
Dimensions						

Model	Standard specifications																
	P ₁	P ₂	A	B	C (Note)	E	F	G	J	K	Bracket mount						
											M	Q ₁	Q ₂	R	S	U	V
AC10A-A	M5 x 0.8	1/16	56	59.9	47.4	—	28	25	12.5	—	25	20	27	4.5	6.8	3	24.5
AC20A-B	1/8, 1/4	1/8	83.2	87.6	72.4	—	41.6	60	28.5	5	30	24	33	5.5	12	3.5	29
AC30A-B	1/4, 3/8	1/8	110.2	115.1	85.6	30	55.1	80	29.4	3.5	41	35	—	7	14	4	41
AC40A-B	1/4, 3/8, 1/2	1/8	145.2	147.1	91.7	38.4	72.6	110	33.8	1.5	50	40	—	9	18	5	48
AC40A-06-B	3/4	1/8	155.2	149.1	93.2	38.4	77.6	110	33.8	1.2	50	40	—	9	18	5	48
AC50A-B	3/4, 1	1/8	191.2	220.1	175.5	—	93.1	110	43.3	3.2	70	50	—	11	20	6	60
AC60A-B	1	1/8	196.2	234.1	175.5	—	98.1	110	43.3	3.2	70	50	—	11	20	6	60

Model	Optional specifications										Semi-standard specifications					
	Square type pressure gauge		Digital pressure switch		Round type pressure gauge		Round type pressure gauge (with color zone)		With auto drain	With barb fitting	With drain guide	Metal bowl	Metal bowl with drain guide	Metal bowl with level gauge	Metal bowl with level gauge, with drain guide	
	H	J	H	J	H	J	H	J	B	B	B	B	B	B	B	
AC10A-A	—	—	—	—	ø26	26	—	—	77.9	—	—	59.3	—	—	—	
AC20A-B	□28	27	□27.8	37.5	ø37.5	62.5	ø37.5	63.5	104.9	—	91.4	87.4	93.9	—	—	
AC30A-B	□28	30	□27.8	40.9	ø37.5	66.9	ø37.5	67.9	156.8	123.6	121.9	117.6	122.1	137.6	142.1	
AC40A-B	□28	38.4	□27.8	48.8	ø42.5	75.7	ø42.5	75.7	186.9	155.6	153.9	149.6	154.1	169.6	174.1	
AC40A-06-B	□28	38.4	□27.8	48.8	ø42.5	75.7	ø42.5	75.7	188.9	157.6	155.9	151.6	156.1	171.6	176.1	
AC50A-B	□28	44.3	□27.8	61.3	ø42.5	80.8	ø42.5	80.8	259.9	228.6	226.9	222.6	227.1	242.6	247.1	
AC60A-B	□28	44.3	□27.8	61.3	ø42.5	80.8	ø42.5	80.8	273.9	242.6	240.9	236.6	241.1	256.6	261.1	

Note) The dimension of C is the length when the filter regulator knob is unlocked.

AC

AF+AR+AL

AW+AL

AF+AR

AF+AFM+AR

AW+AFM

Attachment

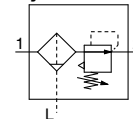
AF

AFM / AFD

AR

AL

AW



How to Order

Refer to page 23 for size 20 to 60.

AC10B-M5 - - - A

1
 2
 3

- Option/Semi-standard: Select one each for **a** to **g**.
- Option/Semi-standard symbol: When more than one specification is required, indicate in alphanumeric order.
Example) AC10B-M5CG-T-12NR-A

		Symbol	Description		
1	Option	a	Float type auto drain		
			Nil	Without auto drain	
		b	Pressure gauge		
			C <small>Note 1)</small>	N.C. (Normally closed) Drain port is closed when pressure is not applied.	
		+			
		G <small>Note 2)</small>	Round type pressure gauge (without limit indicator)		
		+			
2		Attachment (T-spacer) <small>Note 3)</small>	Nil	Without attachment	
			T	Mounting position: AF+T+AR	
		+			
3	Semi-standard	c	Set pressure <small>Note 4)</small>		
			Nil	7.3 to 102 psi (0.05 to 0.7 MPa) setting	
		d	Bowl <small>Note 5)</small>		
			1	2.9 to 29 psi (0.02 to 0.2 MPa) setting	
			2	Polycarbonate bowl	
		e	Exhaust mechanism	3	Metal bowl
				6	Nylon bowl
				+	
		f	Flow direction	Nil	Relieving type
				N	Non-relieving type
				+	
		g	Pressure unit	Nil	Flow direction: Left to right
R	Flow direction: Right to left				
		+			
		Nil	Name plate, caution plate for bowl, and pressure gauge in imperial units: MPa		
		Z <small>Note 6)</small>	Name plate, caution plate for bowl, and pressure gauge in imperial units: psi, °F		

Note 1) When pressure is not applied, condensate which does not start the auto drain mechanism will be left in the bowl. Releasing the residual condensate before ending operations for the day is recommended.

Note 2) A 1.0 MPa (145 psi) pressure gauge will be fitted. It is not assembled and supplied loose at the time of shipment.

Note 3) The bracket position varies depending on the T-spacer mounting.

Note 4) Pressure can be set higher than the specification pressure in some cases, but use pressure within the specification range.

Note 5) Refer to Chemical data on page 46 for chemical resistance of the bowl.

Note 6) This product is for overseas use only according to the new Measurement Law. (The SI unit type is provided for use in Japan.)



AC10B-A

Standard Specifications

Component	Air Filter [AF]	AF10-A
	Regulator [AR]	AR10-A
Port size		M5 x 0.8
Pressure gauge port size [AR]		1/16
Fluid		Air
Ambient and fluid temperature		23 to 140°F (-5 to 60°C) (with no freezing)
Proof pressure		218 psi (1.5 MPa)
Maximum operating pressure		145 psi (1.0 MPa)
Set pressure range [AR]		7.3 to 102 psi (0.05 to 0.7 MPa)
Nominal filtration rating [AF]		5 μm
Bowl material [AF]		Polycarbonate
Construction [AR]		Relieving type
Weight (kg)		0.16

AC

AF+AR+AL

AW+AL

AF+AR

AF+AFM+AR

AW+AFM

Attachment

AF

AFM / AFD

AR

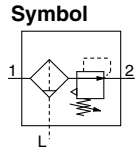
AL

AW

Air Combination

Air Filter + Regulator

AC20B-B to AC60B-B



How to Order

Refer to page 21 for size 10.

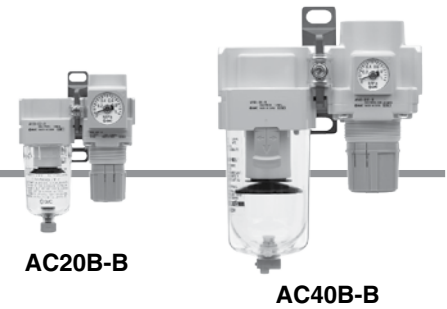
AC **30** B - **03** **DE** - **01** - **01** - B

① ② ③ ④ ⑤ ⑥

- Option/Semi-standard: Select one each for a to j.
- Option/Attachment/Semi-standard symbol: When more than one specification is required, indicate in alphanumeric order.
Example) AC30B-F03DE1-SV-16NR-B

	Symbol	Description	①								
			Body size								
			20	25	30	40	50	55	60		
②	Pipe thread type	Nil	Rc	●	●	●	●	●	●	●	
		N ^{Note 1)}	NPT	●	●	●	●	●	●	●	
		F ^{Note 2)}	G	●	●	●	●	●	●	●	
+											
③	Port size	01	1/8	●	—	—	—	—	—	—	
		02	1/4	●	●	●	●	—	—	—	
		03	3/8	—	●	●	●	—	—	—	
		04	1/2	—	—	—	●	—	—	—	
		06	3/4	—	—	—	●	●	—	—	
		10	1	—	—	—	—	●	●	●	
+											
④	a	Float type auto drain	Nil	Without auto drain	●	●	●	●	●	●	
			C ^{Note 4)}	N.C. (Normally closed) Drain port is closed when pressure is not applied.	●	●	●	●	●	●	●
			D ^{Note 5)}	N.O. (Normally open) Drain port is open when pressure is not applied.	—	●	●	●	●	●	●
	+										
	b	Pressure gauge ^{Note 6)}	Nil	Without pressure gauge	●	●	●	●	●	●	●
			E	Square embedded type pressure gauge (with limit indicator)	●	●	●	●	●	●	●
			G	Round type pressure gauge (with limit indicator)	●	●	●	●	●	●	●
			M	Round type pressure gauge (with color zone)	●	●	●	●	●	●	●
		Digital pressure switch	E1	Output: NPN output/Electrical entry: Wiring bottom entry	●	●	●	●	●	●	●
			E2	Output: NPN output/Electrical entry: Wiring top entry	●	●	●	●	●	●	●
			E3	Output: PNP output/Electrical entry: Wiring bottom entry	●	●	●	●	●	●	●
			E4	Output: PNP output/Electrical entry: Wiring top entry	●	●	●	●	●	●	●
+											
⑤	c	Pressure switch	Nil	Without attachment	●	●	●	●	●	●	●
			S ^{Note 7)}	Mounting position: AF+S+AR	●	●	●	●	●	●	●
			T ^{Note 7)}	Mounting position: AF+T+AR	●	●	●	●	●	●	●
	d	Pressure relief 3 port valve	Nil	Without attachment	●	●	●	●	●	●	●
			V	Mounting position: AF+AR+V	●	●	●	●	●	—	—
			V1 ^{Note 8)}	Mounting position: V+AF+AR□K	●	●	●	●	●	—	—
+											
⑥	e	Set pressure ^{Note 9)}	Nil	7.3 to 123 psi (0.05 to 0.85 MPa) setting	●	●	●	●	●	●	●
			1	2.9 to 29 psi (0.02 to 0.2 MPa) setting	●	●	●	●	●	●	●
	+										
	f	Bowl ^{Note 10)}	Nil	Polycarbonate bowl	●	●	●	●	●	●	●
			2	Metal bowl	●	●	●	●	●	●	●
			6	Nylon bowl	●	●	●	●	●	●	●
			8	Metal bowl with level gauge	—	●	●	●	●	●	●
			C	With bowl guard	●	^{Note 11)}	^{Note 11)}	^{Note 11)}	^{Note 11)}	^{Note 11)}	^{Note 11)}
			6C	Nylon bowl with bowl guard	●	^{Note 12)}	^{Note 12)}	^{Note 12)}	^{Note 12)}	^{Note 12)}	^{Note 12)}
	+										
	g	Air filter drain port ^{Note 13)}	Nil	With drain cock	●	●	●	●	●	●	●
			J ^{Note 14)}	Drain guide 1/8	●	—	—	—	—	—	—
W ^{Note 15)}			Drain guide 1/4	—	●	●	●	●	●	●	
			Drain cock with barb fitting: For ø6 x ø4 nylon tube	—	●	●	●	●	●	●	

Air Combination Series AC20B-B to AC60B-B



		Symbol	Description	①							
				Body size							
				20	25	30	40	50	55	60	
6	h	Exhaust mechanism	Nil	Relieving type	●	●	●	●	●	●	●
			N	Non-relieving type	●	●	●	●	●	●	●
			+								
	i	Flow direction	Nil	Flow direction: Left to right	●	●	●	●	●	●	●
			R	Flow direction: Right to left	●	●	●	●	●	●	●
			+								
j	Pressure unit	Nil	Name plate, caution plate for bowl, and pressure gauge in imperial units: MPa	○	○	○	○	○	○	○	
		Z ^{Note 16}	Name plate, caution plate for bowl, and pressure gauge in imperial units: psi, °F	○	○	○	○	○	○	○	
		ZA ^{Note 17}	Digital pressure switch: With unit conversion function	△	△	△	△	△	△	△	

- Note 1) Drain guide is NPT 1/8 (applicable to the AC20B-B) and NPT 1/4 (applicable to the AC25B-B to AC60B-B). The auto drain port comes with ø3/8" One-touch fitting (applicable to the AC25B-B to AC60B-B).
- Note 2) Drain guide is G1/8 (applicable to the AC20B-B) and G1/4 (applicable to the AC25B-B to AC60B-B).
- Note 3) Option G, M are not assembled and supplied loose at the time of shipment.
- Note 4) When pressure is not applied, condensate which does not start the auto drain mechanism will be left in the bowl. Releasing the residual condensate before ending operations for the day is recommended.
- Note 5) If the compressor is small (0.75 kW, discharge flow is less than 3.5 scfm (100 L/min[ANR])), air leakage from the drain cock may occur during start of operations. N.C. type is recommended.
- Note 6) When the pressure gauge is attached, a 1.0 MPa (145psi) pressure gauge will be fitted for standard (123 psi (0.85 MPa)) type. 58 psi (0.4 MPa) pressure gauge for 29 psi (0.2 MPa) type.
- Note 7) The bracket position varies depending on the T-spacer or pressure switch mounting.
- Note 8) Make sure that the outlet pressure is released to atmospheric pressure using a pressure gauge.
- Note 9) Pressure can be set higher than the specification pressure in some cases, but use pressure within the specification range.
- Note 10) Refer to Chemical data on page 46 for chemical resistance of the bowl.
- Note 11) A bowl guard is provided as standard equipment (polycarbonate).
- Note 12) A bowl guard is provided as standard equipment (nylon).
- Note 13) The combination of float type auto drain: C and D is not available.
- Note 14) Without a valve function
- Note 15) The combination of metal bowl: 2 and 8 is not available.
- Note 16) For pipe thread type: NPT. This product is for overseas use only according to the new Measurement Law. (The SI unit type is provided for use in Japan.) Cannot be used with M: Round pressure gauge (with color zone). Available by request for special. The digital pressure switch will be equipped with the unit conversion function, setting to psi initially.
- Note 17) For options: E1, E2, E3, E4. This product is for overseas use only according to the new Measurement Law. (The SI unit is provided for use in Japan.)
- Note 18) ○: For pipe thread type: NPT only
- Note 19) △: Select with options: E1, E2, E3, E4.

Standard Specifications

Model		AC20B-B	AC25B-B	AC30B-B	AC40B-B	AC40B-06-B	AC50B-B	AC55B-B	AC60B-B
Component	Air Filter [AF]	AF20-A	AF30-A	AF30-A	AF40-A	AF40-06-A	AF50-A	AF60-A	AF60-A
	Regulator [AR]	AR20-B	AR25-B	AR30-B	AR40-B	AR40-06-B	AR50-B	AR50-B	AR60-B
Port size		1/8, 1/4	1/4, 3/8	1/4, 3/8	1/4, 3/8, 1/2	3/4	3/4, 1	1	1
Pressure gauge port size [AR] ^{Note 1)}		1/8							
Fluid		Air							
Ambient and fluid temperature ^{Note 2)}		23 to 140°F (-5 to 60°C) (with no freezing)							
Proof pressure		218 psi (1.5 MPa)							
Maximum operating pressure		145 psi (1.0 MPa)							
Set pressure range [AR]		7.3 to 123 psi (0.05 to 0.85 MPa)							
Nominal filtration rating [AF]		5 µm							
Bowl material [AF]		Polycarbonate							
Bowl guard [AF]		Semi-standard (Steel)		Standard (Polycarbonate)					
Construction [AR]		Relieving type							
Weight (kg)		0.27	0.45	0.53	0.91	0.99	2.27	2.40	2.45

Note 1) Pressure gauge connection threads are not available for F.R.L. unit with a square embedded type pressure gauge or with a digital pressure switch.

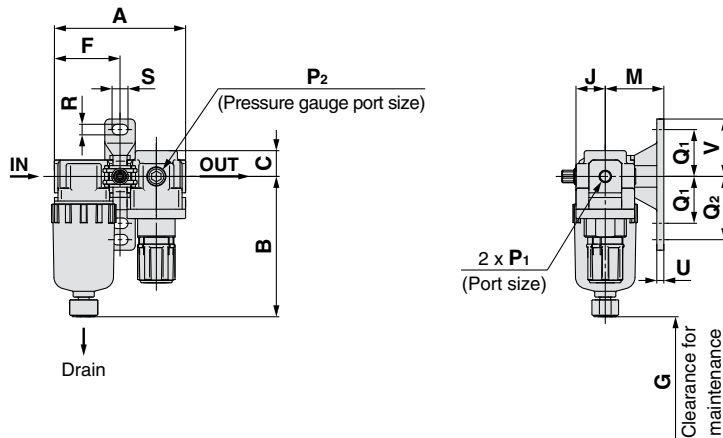
Note 2) 23 to 122°F (-5 to 50°C) for the products with the digital pressure switch

AC
AF+AR+AL
AW+AL
AF+AR
AF+AFM+AR
AW+AFM
Attachment
AF
AFM / AFD
AR
AL
AW

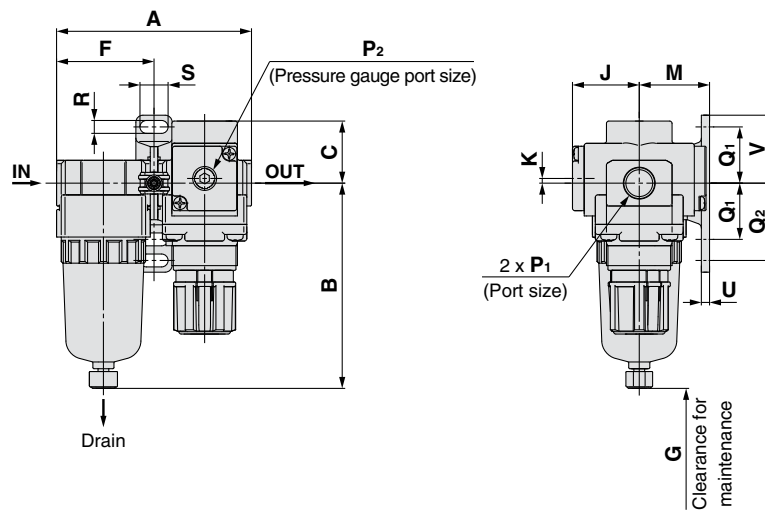
Series AC10B0A/Series AC20B-B to AC60B-B

Dimensions

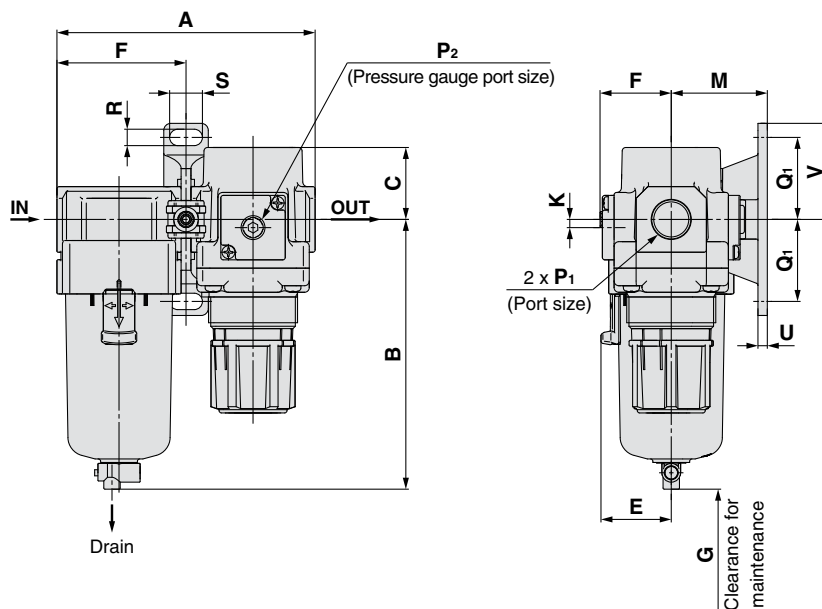
AC10B-A



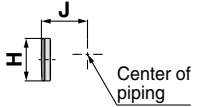
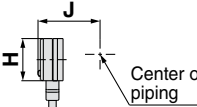
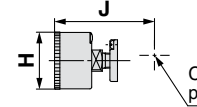

AC20B-B

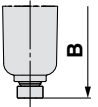
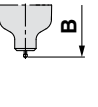
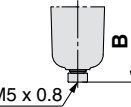
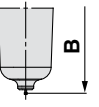
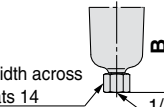
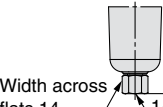
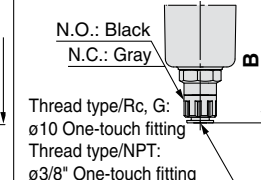


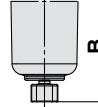
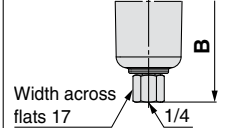
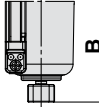
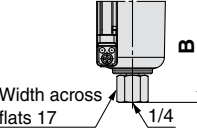
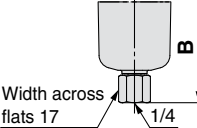
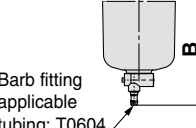
AC25B-B to AC60B-B



Air Combination Series **AC10B-A**/Series **AC20B-B to AC60B-B**

Option	Square embedded type pressure gauge	Digital pressure switch	Round type pressure gauge	Round type pressure gauge (with color zone)
Dimensions				

Applicable model	AC10B-A		AC20B-B				AC25B-B to AC60B-B
Optional/Semi-standard specifications	With auto drain	Metal bowl	With auto drain	Metal bowl	With drain guide	Metal bowl with drain guide	With auto drain (N.O./N.C.)
Dimensions							

Applicable model	AC25B-B to AC60B-B					
Optional/Semi-standard specifications	Metal bowl	Metal bowl with drain guide	Metal bowl with level gauge	Metal bowl with level gauge, with drain guide	With drain guide	Drain cock with barb fitting
Dimensions						

Model	Standard specifications																
	P ₁	P ₂	A	B	C	E	F	G	J	K	Bracket mount						
											M	Q ₁	Q ₂	R	S	U	V
AC10B-A	M5 x 0.8	1/16	56	59.9	11	—	28	25	12.5	—	25	20	27	4.5	6.8	3	24.5
AC20B-B	1/8, 1/4	1/8	83.2	87.6	26.5	—	41.6	25	28.5	2 ^{Note)}	30	24	33	5.5	12	3.5	29
AC25B-B	1/4, 3/8	1/8	110.2	115.1	28	30	55.1	35	27.5	0	41	35	—	7	14	4	41
AC30B-B	1/4, 3/8	1/8	110.2	115.1	30.7	30	55.1	35	29.4	3.5	41	35	—	7	14	4	41
AC40B-B	1/4, 3/8, 1/2	1/8	145.2	147.1	35.8	38.4	72.6	40	33.8	3.5	50	40	—	9	18	5	48
AC40B-06-B	3/4	1/8	155.2	149.1	35.8	38.4	77.6	40	33.8	3	50	40	—	9	18	5	48
AC50B-B	3/4, 1	1/8	186.2	220.1	43	—	93.1	30	43.3	3.2	70	50	—	11	20	6	60
AC55B-B	1	1/8	191.2	234.1	43	—	98.1	30	43.3	3.2	70	50	—	11	20	6	60
AC60B-B	1	1/8	196.2	234.1	46	—	98.1	30	43.3	3.2	70	50	—	11	20	6	60

Model	Optional specifications								Semi-standard specifications							
	Square type pressure gauge		Digital pressure switch		Round type pressure gauge		Round type pressure gauge (with color zone)		With auto drain	With barb fitting	With drain guide	Metal bowl	Metal bowl with drain guide	Metal bowl with level gauge	Metal bowl with level gauge, with drain guide	
	H	J	H	J	H	J	H	J	B	B	B	B	B	B	B	
AC10B-A	—	—	—	—	ø26	26	—	—	77.9	—	—	59.3	—	—	—	
AC20B-B	□28	29.5	□27.8	40	ø37.5	65	ø37.5	66	104.9	—	91.4	87.4	93.9	—	—	
AC25B-B	□28	28.5	□27.8	39	ø37.5	64	ø37.5	65	156.8	123.6	121.9	117.6	122.1	137.6	142.1	
AC30B-B	□28	30.4	□27.8	40.9	ø37.5	65.9	ø37.5	66.9	156.8	123.6	121.9	117.6	122.1	137.6	142.1	
AC40B-B	□28	34.8	□27.8	45.3	ø42.5	71.3	ø42.5	71.3	186.9	155.6	153.9	149.6	154.1	169.6	174.1	
AC40B-06-B	□28	34.8	□27.8	45.3	ø42.5	71.3	ø42.5	71.3	188.9	157.6	155.9	151.6	156.1	171.6	176.1	
AC50B-B	□28	44.3	□27.8	54.8	ø42.5	80.8	ø42.5	80.8	259.9	228.6	226.9	222.6	227.1	242.6	247.1	
AC55B-B	□28	44.3	□27.8	54.8	ø42.5	80.8	ø42.5	80.8	273.9	242.6	240.9	236.6	241.1	256.6	261.1	
AC60B-B	□28	44.3	□27.8	54.8	ø42.5	80.8	ø42.5	80.8	273.9	242.6	240.9	236.6	241.1	256.6	261.1	

Note) For the AC20B-B only, the position of the pressure gauge is above the center of the piping.

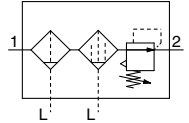
AC
 AF+AR+AL
 AW+AL
 AF+AR
 AF+AFM+AR
 AW+AFM
 Attachment
 AF
 AFM/AFD
 AR
 AL
 AW

Air Combination

Air Filter + Mist Separator + Regulator

AC20C-B to AC40C-B

Symbol



How to Order

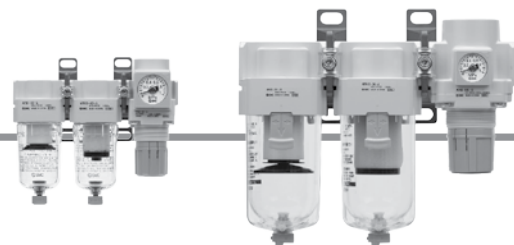
AC **30** C - **03** **DE** - **01** - **01** - B

① ② ③ ④ ⑤ ⑥

- Option/Semi-standard: Select one each for a to j.
- Option/Attachment/Semi-standard symbol: When more than one specification is required, indicate in alphanumeric order.
Example) AC30C-F03DE1-SV-16NR-B

		Symbol	Description	①				
				Body size				
				20	25	30	40	
②	Pipe thread type	Nil	Rc	●	●	●	●	
		N ^{Note 1)}	NPT	●	●	●	●	
		F ^{Note 2)}	G	●	●	●	●	
+								
③	Port size	01	1/8	●	—	—	—	
		02	1/4	●	●	●	●	
		03	3/8	—	●	●	●	
		04	1/2	—	—	—	●	
		06	3/4	—	—	—	●	
+								
④	a	Float type auto drain	Nil	Without auto drain	●	●	●	●
			C ^{Note 4)}	N.C. (Normally closed) Drain port is closed when pressure is not applied.	●	●	●	●
			D ^{Note 5)}	N.O. (Normally open) Drain port is open when pressure is not applied.	—	●	●	●
	+							
	b	Pressure gauge ^{Note 6)}	Nil	Without pressure gauge	●	●	●	●
			E	Square embedded type pressure gauge (with limit indicator)	●	●	●	●
			G	Round type pressure gauge (with limit indicator)	●	●	●	●
			M	Round type pressure gauge (with color zone)	●	●	●	●
		Digital pressure switch	E1	Output: NPN output/Electrical entry: Wiring bottom entry	●	●	●	●
			E2	Output: NPN output/Electrical entry: Wiring top entry	●	●	●	●
			E3	Output: PNP output/Electrical entry: Wiring bottom entry	●	●	●	●
	E4	Output: PNP output/Electrical entry: Wiring top entry	●	●	●	●		
	+							
⑤	c	Pressure switch	Nil	Without attachment	●	●	●	●
			S ^{Note 7)}	Mounting position: AF+AFM+S+AR	●	●	●	●
			T ^{Note 7)}	Mounting position: AF+AFM+T+AR	●	●	●	●
+								
d	Pressure relief 3 port valve	Nil	Without attachment	●	●	●	●	
		V	Mounting position: AF+AFM+AR+V	●	●	●	●	
		V1 ^{Note 8)}	Mounting position: V+AF+AFM+AR□K	●	●	●	●	
+								
⑥	e	Set pressure ^{Note 9)}	Nil	7.3 to 123 psi (0.05 to 0.85 MPa) setting	●	●	●	●
			1	2.9 to 29 psi (0.02 to 0.2 MPa) setting	●	●	●	●
	+							
	f	Bowl ^{Note 10)}	Nil	Polycarbonate bowl	●	●	●	●
			2	Metal bowl	●	●	●	●
			6	Nylon bowl	●	●	●	●
			8	Metal bowl with level gauge	—	●	●	●
			C	With bowl guard	●	— ^{Note 11)}	— ^{Note 11)}	— ^{Note 11)}
			6C	Nylon bowl with bowl guard	●	— ^{Note 12)}	— ^{Note 12)}	— ^{Note 12)}
	+							
	g	Air filter Mist separator drain port ^{Note 13)}	Nil	With drain cock	●	●	●	●
			J ^{Note 14)}	Drain guide 1/8	●	—	—	—
			W ^{Note 15)}	Drain cock with barb fitting: For ø6 x ø4 nylon tube	—	●	●	●
+								
h	Exhaust mechanism	Nil	Relieving type	●	●	●	●	
		N	Non-relieving type	●	●	●	●	

Air Combination Series AC20C-B to AC40C-B



AC20C-B

AC40C-B

		Symbol	Description	①				
				Body size				
				20	25	30	40	
6	Semi-standard	i	Flow direction	Nil	Flow direction: Left to right			
				R	Flow direction: Right to left			
		+				●	●	●
	j	Pressure unit	Nil	Name plate, caution plate for bowl, and pressure gauge in imperial units: MPa				
			Z ^{Note 16)}	Name plate, caution plate for bowl, and pressure gauge in imperial units: psi, °F				
			ZA ^{Note 17)}	Digital pressure switch: With unit conversion function				
				○ ^{Note 18)}	○ ^{Note 18)}	○ ^{Note 18)}	○ ^{Note 18)}	
				△ ^{Note 19)}	△ ^{Note 19)}	△ ^{Note 19)}	△ ^{Note 19)}	

Note 1) Drain guide is NPT1/8 (applicable to the AC20C-B) and NPT1/4 (applicable to the AC25C-B to AC60C-B).

The auto drain port comes with ø3/8" One-touch fitting (applicable to the AC25C-B to AC60C-B).

Note 2) Drain guide is G1/8 (applicable to the AC20C-B) and G1/4 (applicable to the AC25C-B to AC60C-B).

Note 3) Option G, M are not assembled and supplied loose at the time of shipment.

Note 4) When pressure is not applied, condensate which does not start the auto drain mechanism will be left in the bowl. Releasing the residual condensate before ending operations for the day is recommended.

Note 5) If the compressor is small (0.75 kW, discharge flow is less than 3.5 scfm (100 L/min [ANR])), air leakage from the drain cock may occur during start of operations. N.C. type is recommended.

Note 6) When the pressure gauge is attached, a 145 psi (1.0 MPa) pressure gauge will be fitted for standard (123 psi (0.85 MPa)) type. 58 psi (0.4 MPa) pressure gauge for 29 psi (0.2 MPa) type.

Note 7) The bracket position varies depending on the T-spacer or pressure switch mounting.

Note 8) Make sure that the outlet pressure is released to atmospheric pressure using a pressure gauge.

Note 9) Pressure can be set higher than the specification pressure in some cases, but use pressure within the specification range.

Note 10) Refer to Chemical data on page 46 for chemical resistance of the bowl.

Note 11) A bowl guard is provided as standard equipment (polycarbonate).

Note 12) A bowl guard is provided as standard equipment (nylon).

Note 13) The combination of float type auto drain: C and D is not available.

Note 14) Without a valve function

Note 15) The combination of metal bowl: 2 and 8 is not available.

Note 16) For pipe thread type: NPT. This product is for overseas use only according to the new Measurement Law. (The SI unit type is provided for use in Japan.) Cannot be used with M: Round pressure gauge (with color zone). Available by request for special. The digital pressure switch will be equipped with the unit conversion function, setting to psi initially.

Note 17) For options: E1, E2, E3, E4. This product is for overseas use only according to the new Measurement Law. (The SI unit is provided for use in Japan.)

Note 18) ○: For pipe thread type: NPT only

Note 19) △: Select with options: E1, E2, E3, E4.

Standard Specifications

Model		AC20C-B	AC25C-B	AC30C-B	AC40C-B	AC40C-06-B
Component	Air Filter [AF]	AF20-A	AF30-A	AF30-A	AF40-A	AF40-06-A
	Mist Separator [AFM]	AFM20-A	AFM30-A	AFM30-A	AFM40-A	AFM40-06-A
	Regulator [AR]	AR20-B	AR25-B	AR30-B	AR40-B	AR40-06-B
Port size		1/8, 1/4	1/4, 3/8	1/4, 3/8	1/4, 3/8, 1/2	3/4
Pressure gauge port size [AR] ^{Note 1)}		1/8				
Fluid		Air				
Ambient and fluid temperature ^{Note 2)}		23 to 140°F (-5 to 60°C) (with no freezing)				
Proof pressure		218 psi (1.5 MPa)				
Maximum operating pressure		145 psi (1.0 MPa)				
Set pressure range [AR]		7.3 to 123 (0.05 to 0.85 MPa)				
Nominal filtration rating [AF/AFM]		AF: 5 µm, AFM: 0.3 µm (99.9% filtered particle size)				
Rated flow (L/min(ANR)) [AFM] ^{Note 3)}		200	450	450	1100	1100
Outlet side oil mist concentration [AFM] ^{Note 4) Note 5)}		Max. 1.0 mg/m ³ (ANR) (≈0.8 ppm)				
Bowl material [AF/AFM]		Polycarbonate				
Bowl guard [AF/AFM]		Semi-standard (Steel)	Standard (Polycarbonate)			
Construction [AR]		Relieving type				
Weight (kg)		0.38	0.69	0.77	1.39	1.53

Note 1) Pressure gauge connection threads are not available for F.R.L. unit with a square embedded type pressure gauge or with a digital pressure switch.

Note 2) 23 to 122°F (-5 to 50°C) for the products with the digital pressure switch

Note 3) Conditions: Mist separator inlet pressure: 102 psi (0.7 MPa); The rated flow varies depending on the inlet pressure.

Keep the air flow within the rated flow to prevent an outflow of lubricant to the outlet side.

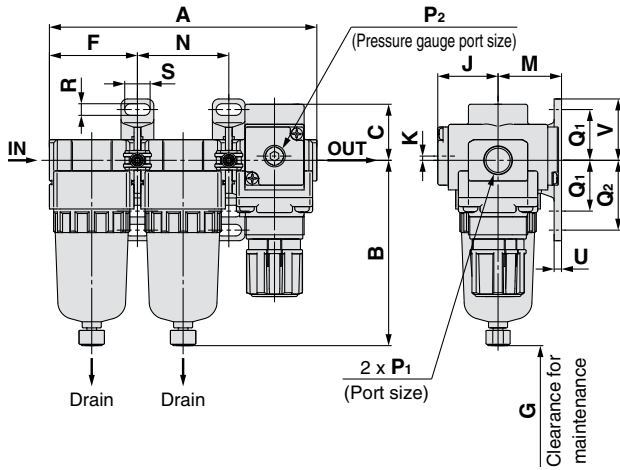
Note 4) When the compressor oil mist discharge concentration is 30 mg/m³ (ANR).

Note 5) Bowl seal and other O-rings are slightly lubricated.

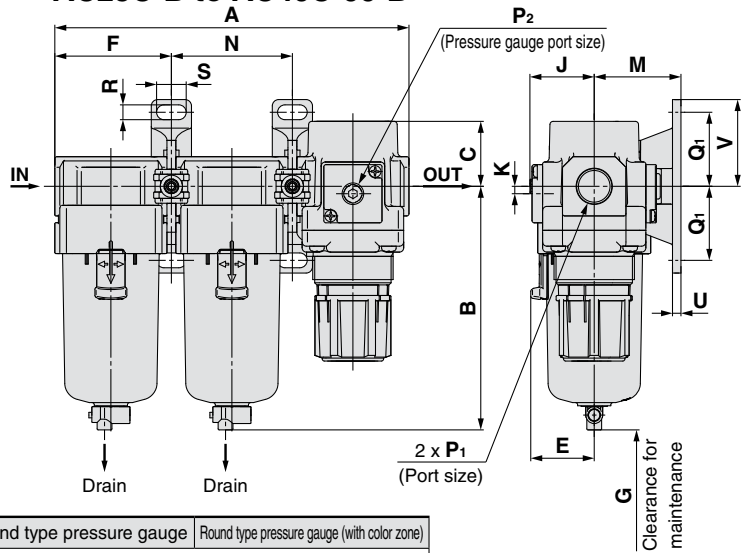
Series AC20C-B to AC40C-B

Dimensions

AC20C-B



AC25C-B to AC40C-06-B



Option	Square embedded type pressure gauge	Digital pressure switch	Round type pressure gauge	Round type pressure gauge (with color zone)
Dimensions	Center of piping	Center of piping	Center of piping	Center of piping

Applicable model	AC20C-B				AC25C-B to AC40C-06-B	
Optional/Semi-standard specifications	With auto drain (N.C.)	With drain guide	Metal bowl	Metal bowl with drain guide	With auto drain (N.O./N.C.)	
Dimensions	M5 x 0.8	Width across flats 14	B	Width across flats 14	B N.O.: Black N.C.: Gray Thread type/Rc, G: $\phi 10$ One-touch fitting Thread type/NPT: $\phi 3/8$ One-touch fitting	

Applicable model	AC25C-B to AC40C-06-B					
Optional/Semi-standard specifications	Metal bowl	Metal bowl with drain guide	Metal bowl with level gauge	Metal bowl with level gauge, with drain guide	With drain guide	Drain cock with barb fitting
Dimensions	B	Width across flats 17	B	Width across flats 17	Width across flats 17	B Barb fitting applicable tubing: T0604

Model	Standard specifications																	
	P ₁	P ₂	A	B	C	E	F	G	J	K	Bracket mount							
											M	N	Q ₁	Q ₂	R	S	U	V
AC20C-B	1/8, 1/4	1/8	126.4	87.6	26.5	—	41.6	40	28.5	2 ^{Note)}	30	43.2	24	33	5.5	12	3.5	29
AC25C-B	1/4, 3/8	1/8	167.4	115.1	28	30	55.1	50	27.5	0	41	57.2	35	—	7	14	4	41
AC30C-B	1/4, 3/8	1/8	167.4	115.1	30.7	30	55.1	50	29.4	3.5	41	57.2	35	—	7	14	4	41
AC40C-B	1/4, 3/8, 1/2	1/8	220.4	147.1	35.8	38.4	72.6	75	33.8	3.5	50	75.2	40	—	9	18	5	48
AC40C-06-B	3/4	1/8	235.4	149.1	35.8	38.4	77.6	75	33.8	3	50	80.2	40	—	9	18	5	48

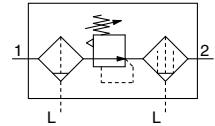
Model	Optional specifications								Semi-standard specifications						
	Square type pressure gauge		Digital pressure switch		Round type pressure gauge		Round type pressure gauge (with color zone)		With auto drain	With barb fitting	With drain guide	Metal bowl	Metal bowl with drain guide	Metal bowl with level gauge	Metal bowl with level gauge, with drain guide
	H	J	H	J	H	J	H	J	B	B	B	B	B	B	B
AC20C-B	□28	29.5	□27.8	40	∅37.5	65	∅37.5	66	104.9	—	91.4	87.4	93.9	—	—
AC25C-B	□28	28.5	□27.8	39	∅37.5	64	∅37.5	65	156.8	123.6	121.9	117.6	122.1	137.6	142.1
AC30C-B	□28	30.4	□27.8	40.9	∅37.5	65.9	∅37.5	66.9	156.8	123.6	121.9	117.6	122.1	137.6	142.1
AC40C-B	□28	34.8	□27.8	45.3	∅42.5	71.3	∅42.5	71.3	186.9	155.6	153.9	149.6	154.1	169.6	174.1
AC40C-06-B	□28	34.8	□27.8	45.3	∅42.5	71.3	∅42.5	71.3	188.9	157.6	155.9	151.6	156.1	171.6	176.1

Note) For the AC20C-B only, the position of the pressure gauge is above the center of the piping.

Filter Regulator + Mist Separator

AC20D-B to AC40D-B

Symbol



How to Order

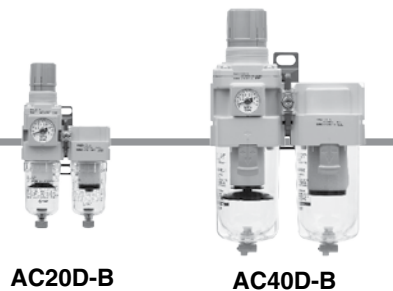
AC **30** D - **03** DE - **03** - **03** - B

① ② ③ ④ ⑤ ⑥

- Option/Semi-standard: Select one each for a to j.
- Option/Attachment/Semi-standard symbol: When more than one specification is required, indicate in alphanumeric order.
Example) AC30D-F03DE1-SV-16NR-B

		Symbol	Description	① Body size			
				20	30	40	
②	Pipe thread type	Nil	Rc	●	●	●	
		N ^{Note 1)}	NPT	●	●	●	
		F ^{Note 2)}	G	●	●	●	
+							
③	Port size	01	1/8	●	—	—	
		02	1/4	●	●	●	
		03	3/8	—	●	●	
		04	1/2	—	—	●	
		06	3/4	—	—	●	
+							
④ Option ^{Note 3)}	a	Float type auto drain	Nil	Without auto drain	●	●	●
			C ^{Note 4)}	N.C. (Normally closed) Drain port is closed when pressure is not applied.	●	●	●
			D ^{Note 5)}	N.O. (Normally open) Drain port is open when pressure is not applied.	—	●	●
	+						
	b	Pressure gauge ^{Note 6)}	Nil	Without pressure gauge	●	●	●
			E	Square embedded type pressure gauge (with limit indicator)	●	●	●
			G	Round type pressure gauge (with limit indicator)	●	●	●
			M	Round type pressure gauge (with color zone)	●	●	●
		Digital pressure switch	E1	Output: NPN output/Electrical entry: Wiring bottom entry	●	●	●
			E2	Output: NPN output/Electrical entry: Wiring top entry	●	●	●
E3			Output: PNP output/Electrical entry: Wiring bottom entry	●	●	●	
E4	Output: PNP output/Electrical entry: Wiring top entry	●	●	●			
+							
⑤ Attachment	c	Pressure switch	Nil	Without attachment	●	●	●
			S ^{Note 7)}	Mounting position: AW+S+AFM	●	●	●
	+						
d	Pressure relief 3 port valve	Nil	Without attachment	●	●	●	
		V	Mounting position: AW+AFM+V	●	●	●	
		V1 ^{Note 8)}	Mounting position: V+AW□K+AFM	●	●	●	
+							
⑥ Semi-standard	e	Set pressure ^{Note 9)}	Nil	7.3 to 123 psi (0.05 to 0.85 MPa) setting	●	●	●
			1	2.9 to 29 psi (0.02 to 0.2 MPa) setting	●	●	●
	+						
	f	Bowl ^{Note 10)}	Nil	Polycarbonate bowl	●	●	●
			2	Metal bowl	●	●	●
			6	Nylon bowl	●	●	●
			8	Metal bowl with level gauge	—	●	●
			C	With bowl guard	●	— ^{Note 11)}	— ^{Note 11)}
			6C	Nylon bowl with bowl guard	●	— ^{Note 12)}	— ^{Note 12)}
	+						
	g	Filter regulator Mist separator drain port ^{Note 13)}	Nil	With drain cock	●	●	●
			J ^{Note 14)}	Drain guide 1/8	●	—	—
			W ^{Note 15)}	Drain guide 1/4	—	●	●
Drain cock with barb fitting: For ø6 x ø4 nylon tube				—	●	●	
+							
h	Exhaust mechanism	Nil	Relieving type	●	●	●	
		N	Non-relieving type	●	●	●	
+							
i	Flow direction	Nil	Flow direction: Left to right	●	●	●	
		R	Flow direction: Right to left	●	●	●	

Air Combination Series **AC20D-B to AC40D-B**



AC20D-B

AC40D-B

		Symbol	Description
6	Semi-standard	j	Nil Name plate, caution plate for bowl, and pressure gauge in imperial units: MPa
			Z <small>Note 16</small> Name plate, caution plate for bowl, and pressure gauge in imperial units: psi, °F
			ZA <small>Note 17</small> Digital pressure switch: With unit conversion function

1		
Body size		
20	30	40
●	●	●
○ <small>Note 18</small>	○ <small>Note 18</small>	○ <small>Note 18</small>
△ <small>Note 19</small>	△ <small>Note 19</small>	△ <small>Note 19</small>

- Note 1) Drain guide is NPT1/8 (applicable to the AC20D-B) and NPT1/4 (applicable to the AC30D-B/AC40D-B). The auto drain port comes with ø3/8" One-touch fitting (applicable to the AC30D-B/AC40D-B).
- Note 2) Drain guide is G1/8 (applicable to the AC20D-B) and G1/4 (applicable to the AC30D-B/AC40D-B).
- Note 3) Option G, M are not assembled and supplied loose at the time of shipment.
- Note 4) When pressure is not applied, condensate which does not start the auto drain mechanism will be left in the bowl. Releasing the residual condensate before ending operations for the day is recommended.
- Note 5) If the compressor is small (0.75 kW, discharge flow is less than 3.5 scfm (100 L/min [ANR])), air leakage from the drain cock may occur during start of operations. N.C. type is recommended.

- Note 6) When the pressure gauge is attached, a 145 psi (1.0 MPa) pressure gauge will be fitted for standard (123 psi (0.85 MPa)) type. 58 psi (0.4 MPa) pressure gauge for 29 psi (0.2 MPa) type.
- Note 7) The bracket position varies depending on the pressure switch mounting.
- Note 8) Make sure that the outlet pressure is released to atmospheric pressure using a pressure gauge.
- Note 9) Pressure can be set higher than the specification pressure in some cases, but use pressure within the specification range.
- Note 10) Refer to Chemical data on page 46 for chemical resistance of the bowl.
- Note 11) A bowl guard is provided as standard equipment (polycarbonate).
- Note 12) A bowl guard is provided as standard equipment (nylon).
- Note 13) The combination of float type auto drain: C and D is not available.

- Note 14) Without a valve function
- Note 15) The combination of metal bowl: 2 and 8 is not available.
- Note 16) For pipe thread type: NPT.
This product is for overseas use only according to the new Measurement Law. (The SI unit type is provided for use in Japan.)
Cannot be used with M: Round pressure gauge (with color zone). Available by request for special.
The digital pressure switch will be equipped with the unit conversion function, setting to psi initially.
- Note 17) For options: E1, E2, E3, E4. This product is for overseas use only according to the new Measurement Law. (The SI unit is provided for use in Japan.)
- Note 18) ○: For pipe thread type: NPT only
- Note 19) △: Select with options: E1, E2, E3, E4.

Standard Specifications

Model		AC20D-B	AC30D-B	AC40D-B	AC40D-06-B
Component	Filter Regulator [AW]	AW20-B	AW30-B	AW40-B	AW40-06-B
	Mist Separator [AFM]	AFM20-A	AFM30-A	AFM40-A	AFM40-06-A
Port size		1/8, 1/4	1/4, 3/8	1/4, 3/8, 1/2	3/4
Pressure gauge port size [AW] <small>Note 1)</small>		1/8			
Fluid		Air			
Ambient and fluid temperature <small>Note 2)</small>		23 to 140°F (-5 to 60°C) (with no freezing)			
Proof pressure		218 psi (1.5 MPa)			
Maximum operating pressure		145 psi (1.0 MPa)			
Set pressure range [AW]		7.3 to 123 psi (0.05 to 0.85 MPa)			
Nominal filtration rating [AW/AFM]		AW: 5 µm, AFM: 0.3 µm (99.9% filtered particle size)			
Rated flow (L/min(ANR)) [AFM] <small>Note 3)</small>		150	330	800	800
Outlet side oil mist concentration [AFM] <small>Note 4) Note 5)</small>		Max.1.0 mg/m ³ (ANR) (≈0.8 ppm)			
Bowl material [AW/AFM]		Polycarbonate			
Bowl guard [AW/AFM]		Semi-standard (Steel)	Standard (Polycarbonate)		
Construction [AW]		Relieving type			
Weight (kg)		0.32	0.62	1.15	1.25

- Note 1) Pressure gauge connection threads are not available for F.R.L. unit with a square embedded type pressure gauge or with a digital pressure switch.
- Note 2) 23 to 122°F (-5 to 50°C) for the products with the digital pressure switch
- Note 3) Conditions: Mist separator inlet pressure: 73 psi (0.5 MPa); The rated flow varies depending on the inlet pressure.
Keep the air flow within the rated flow to prevent an outflow of lubricant to the outlet side.
- Note 4) When the compressor oil mist discharge concentration is 30 mg/m³ (ANR).
- Note 5) Bowl seal and other O-rings are slightly lubricated.

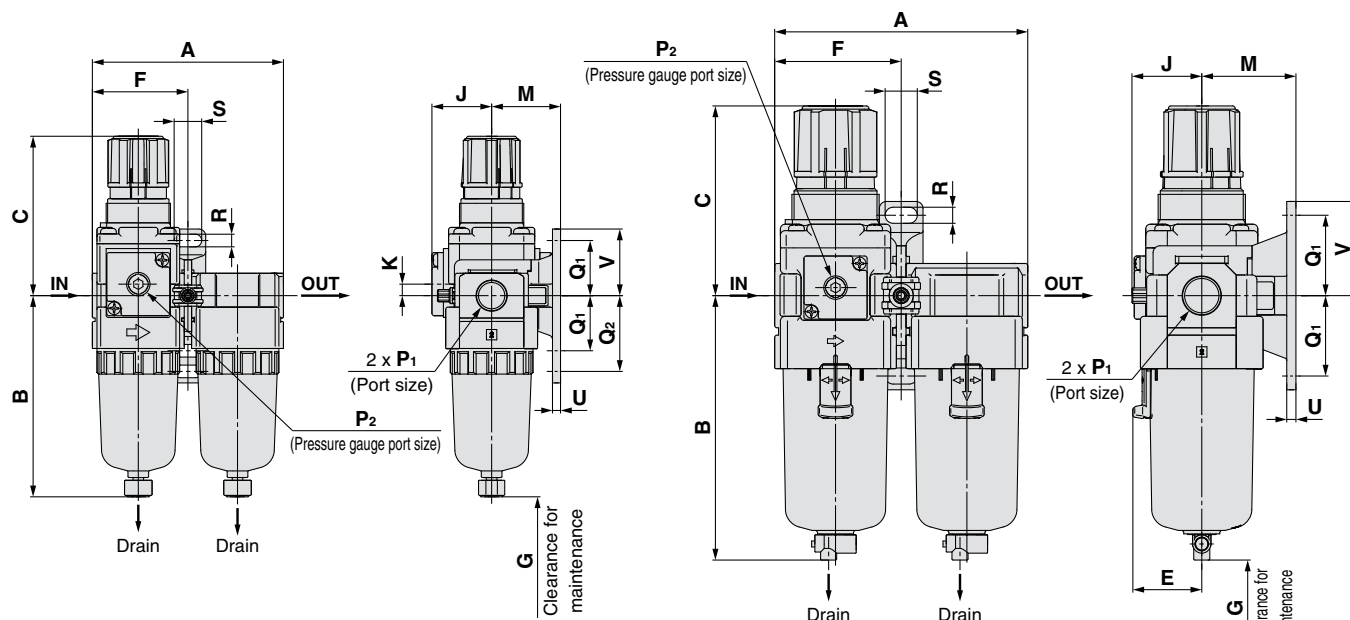
AC
 AF+AR+AL
 AW+AL
 AF+AR
 AF+AFM+AR
 AW+AFM
 Attachment
 AF
 AFM/AFD
 AR
 AL
 AW

Series AC20D-B to AC40D-B

Dimensions

AC20D-B

AC30D-B to AC40D-06-B



Option	Square embedded type pressure gauge	Digital pressure switch	Round type pressure gauge	Round type pressure gauge (with color zone)
Dimensions				

Applicable model	AC20D-B				AC30D-B to AC40D-06-B
Optional/Semi-standard specification	With auto drain (N.C.)	With drain guide	Metal bowl	Metal bowl with drain guide	With auto drain (N.O./N.C.)
Dimensions					

Applicable model	AC30D-B to AC40D-06-B					
Optional/Semi-standard specification	Metal bowl	Metal bowl with drain guide	Metal bowl with level gauge	Metal bowl with level gauge, with drain guide	With drain guide	Drain cock with barb fitting
Dimensions						

Model	Standard specifications																
	P ₁	P ₂	A	B	C (Note)	E	F	G	J	K	Bracket mount						
											M	Q ₁	Q ₂	R	S	U	V
AC20D-B	1/8, 1/4	1/8	83.2	87.6	72.4	—	41.6	40	28.5	5	30	24	33	5.5	12	3.5	29
AC30D-B	1/4, 3/8	1/8	110.2	115.1	85.6	30	55.1	50	29.4	3.5	41	35	—	7	14	4	41
AC40D-B	1/4, 3/8, 1/2	1/8	145.2	147.1	91.7	38.4	72.6	75	33.8	1.5	50	40	—	9	18	5	48
AC40D-06-B	3/4	1/8	155.2	149.1	93.2	38.4	77.6	75	33.8	1.2	50	40	—	9	18	5	48

Model	Optional specifications								Semi-standard specifications							
	Square type pressure gauge		Digital pressure switch		Round type pressure gauge		Round type pressure gauge (with color zone)		With auto drain	With barb fitting	With drain guide	Metal bowl	Metal bowl with drain guide	Metal bowl with level gauge	Metal bowl with level gauge, with drain guide	
	H	J	H	J	H	J	H	J	B	B	B	B	B	B	B	
AC20D-B	□28	27	□27.8	37.5	ø37.5	62.5	ø37.5	63.5	104.9	—	91.4	87.4	93.9	—	—	
AC30D-B	□28	30	□27.8	40.9	ø37.5	66.9	ø37.5	67.9	156.8	123.6	121.9	117.6	122.1	137.6	142.1	
AC40D-B	□28	38.4	□27.8	48.8	ø42.5	75.7	ø42.5	75.7	186.9	155.6	153.9	149.6	154.1	169.6	174.1	
AC40D-06-B	□28	38.4	□27.8	48.8	ø42.5	75.7	ø42.5	75.7	188.9	157.6	155.9	151.6	156.1	171.6	176.1	

Note) The dimension of C is the length when the filter regulator knob is unlocked.

Air Combination Series AC Options/Attachments

Options/Attachments/Part No. * 2.9 to 29 psi (0.02 to 0.2 MPa) setting

Section	Model	Part no.								
		For AC10-A	For AC20-B	For AC25-B	For AC30-B	For AC40-B	For AC40-06-B	For AC50-B	For AC55-B	For AC60-B
		For AC10A-A	For AC20A-B	—	For AC30A-B	For AC40A-B	For AC40A-06-B	For AC50A-B	—	For AC60A-B
Option	Round type	Standard	G27-10-R1		G36-10-□01			G46-10-□01		
		*0.02 to 0.2 MPa setting	G27-10-R1		G36-4-□01			G46-4-□01		
	Round type (with color zone)	Standard	—		G36-10-□01-L			G46-10-□01-L		
		*0.02 to 0.2 MPa setting	—		G36-4-□01-L			G46-4-□01-L		
	Square embedded type (Note 2)	Standard	—		GC3-10AS [GC3P-010AS (Pressure gauge cover only)]					
		*0.02 to 0.2 MPa setting	—		GC3-4AS [GC3P-010AS (Pressure gauge cover only)]					
	Digital pressure switch	NPN output/Wiring bottom entry	—		ISE35-N-25-MLA [ISE35-N-25-M (Switch body only)] (Note 3)					
		NPN output/Wiring top entry	—		ISE35-R-25-MLA [ISE35-R-25-M (Switch body only)] (Note 3)					
		PNP output/Wiring bottom entry	—		ISE35-N-65-MLA [ISE35-N-65-M (Switch body only)] (Note 3)					
		PNP output/Wiring top entry	—		ISE35-R-65-MLA [ISE35-R-65-M (Switch body only)] (Note 3)					
Float type auto drain (Note 4)	N.O.	—		AD38-A			AD48-A			
	N.C.	AD17-A	AD27-A	AD37-A			AD47-A			
Attachment	Spacer	Y100-A	Y200-A	Y300-A	Y400-A	Y500-A		Y600-A		
	Spacer with bracket	Y100T-A	Y200T-A	Y300T-A	Y400T-A	Y500T-A		Y600T-A		
	Check valve (Note 5) (Note 6)	—	AKM2000-□01-A (□02)-A	AKM3000-(□01)-A (□02)-A	AKM4000-(□02)-A (□03)-A					
	Pressure switch (Note 6)	—	IS10M-20-A	IS10M-30-A	IS10M-40-A	IS10M-50-A		IS10M-60-A		
	T-spacer (Note 5) (Note 6)	Y110-M5-A	Y210-□01-A (□02)-A	Y310-(□01)-A (□02)-A	Y410-(□02)-A (□03)-A	Y510-(□02)-A (□03)-A	Y610-□03-A (□04)-A	Y610-(□03)-A (□04)-A		
	Pressure relief 3 port valve (Note 6)	—	VHS20-□01A (□02A)	VHS30-□02A (□03A)	VHS40-□03A (□04A)	VHS40-□06A	VHS50-□06A (□10A)			
	Piping adapter (Note 6)	E100-M5-A	□01-A (□02)-A (□03)-A	□02-A (□03)-A (□04)-A	□02-A (□03)-A (□04)-A (□06)-A	E500-□06-A		E600-□06 (□10)		
	Pressure switch with piping adapter (Note 6)	—	□01-A (IS10E-20) (□02)-A (□03)-A	□02-A (IS10E-30) (□03)-A (□04)-A	IS10E-40 (□03)-A (□04)-A (□06)-A					
	Cross spacer (Note 6)	Y14-M5-A	Y24-□01-A (□02)-A	Y34-□01-A (□02)-A	Y44-□02-A (□03)-A	Y54-□03-A (□04)-A				

Note 1) □ in part numbers for a round pressure gauge indicates a pipe thread type. No indication is necessary for R; however, indicate N for NPT. Please contact SMC regarding the connection thread NPT and pressure gauge supply for psi unit specifications.

Note 2) Including one O-ring and 2 mounting screws

Note 3) Lead wire with connector (2 m), adapter, lock pin, O-ring (1 pc.), mounting screw

(2 pcs.) are attached. []: Switch body only.

Regarding how to order the digital pressure switch, refer to the WEB catalog or the Best Pneumatics No.6.

Note 4) Minimum operating pressure: N.O. type—15 psi (0.1 MPa); N.C. type—15 psi (0.1 MPa) (AD27-A) and 22 psi (0.15 MPa) (AD37-A/AD47-A). Please consult with SMC separately for psi and °F unit display specifications.

Note 5) For F.R.L. units, port sizes without () are standard specifications.

Note 6) Separate spacers are required for modular unit.

Check Valve: (K) 1/8, 1/4, 3/8

A check valve with intermediate air release port can be easily installed to prevent a backflow of lubricant when redirecting the air flow and releasing the air on the outlet side of the regulator.

AKM 30 00 - 01 - A

① Body size: 20, 30, 40

② Pipe thread type: Nil, N, F; Rc, NPT, G

③ By-pass port size: 01 (1/8), 02 (1/4), 03 (3/8)

Specifications

Model	Effective area (mm ²)
AKM2000-A	28
AKM3000-A	55
AKM4000-A	111

Be sure to use above check valves when redirecting the air flow on the inlet side of the lubricator. Threads for IN and OUT ports are not machined.

Symbol

Check valve

Model	By-pass port size	A	B	C	D	E	Applicable model
AKM2000-A	1/8, 1/4	40	28	11	40	11	AC20-B, AC20A-B
AKM3000-A	1/8, 1/4	53	34	14	48	13	AC25-B AC30-B, AC30A-B
AKM4000-A	1/4, 3/8	70	42	18	54	15	AC40-B, AC40A-B ^(Note)

Note) Cannot be mounted on the AC40□-06-B.
* Refer to the attachment table above for standard by-pass port sizes applicable to the AC.

AC

AF+AR+AL

AF+AL

AW+AL

AF+AR

AF+AR

AF+AFM+AR

AF+AFM

AW+AFM

Attachment

AF

AFM/AFD

AR

AL

AW

Series AC

Pressure Switch: (S)

A compact integrated pressure switch can be easily installed and facilitates the pressure detection of the line.

IS10M-30- -A

① ②

- Semi-standard: Select one each for **a** to **c**.
 - Semi-standard symbol: When more than one specification is required, indicate in alphanumeric order.
- Example) IS10M-30-6LP

	Symbol	Description	①									
			Body size									
			20	30	40	50	60					
② Semi-standard	a	Set pressure range	Nil		15 to 58 psi (0.1 to 0.4 MPa)			●	●	●	●	●
			6 ^{Note 1)}	15 to 87 psi (0.1 to 0.6 MPa)		●	●	●	●	●	●	
		+										
b	Lead wire length	Nil	0.5 m					●	●	●	●	●
		L	3 m					●	●	●	●	●
		Z	5 m					●	●	●	●	●
	+											
c	Pressure unit of the scale plate	Nil	MPa					●	●	●	●	●
		P ^{Note 2)}	MPa/psi dual scale					●	●	●	●	●

Note 1) Set pressure range of 6P (L, Z) is 0.2 to 0.6 MPa (30 to 90 psi).

Note 2) This product is for overseas use only according to the new Measurement Law. (The SI unit type is provided for use in Japan.)

Specifications

Fluid	Air
Ambient and fluid temperature	23 to 140°F (-5 to 60°C) (with no freezing)
Proof pressure	145 psi (1.0 MPa)
Maximum operating pressure	102 psi (0.7 MPa)
Set pressure range (when OFF)	15 to 58 (0.1 to 0.4 MPa)
Hysteresis	12 psi (0.08 MPa) or less

Switch Characteristics

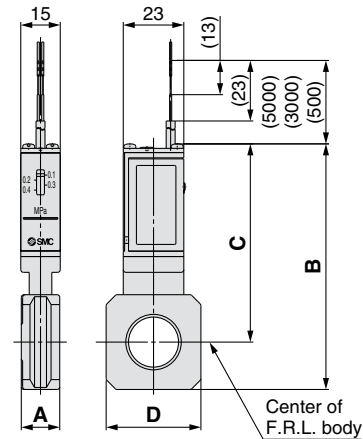
Contact point configuration	1a
Maximum contact point capacity	2 VA (AC), 2 W (DC)
Operating voltage: AC, DC	100 V or less
Maximum operating current	12 V to 24 VAC, DC: 50 mA
	48 VAC, DC: 40 mA
	100 VAC, DC: 20 mA

Note) For detailed specifications on the IS10 series, refer to the section of our website IS10 series, <http://www.smcworld.com>

Symbol



Pressure switch

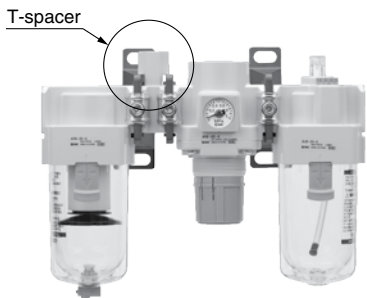
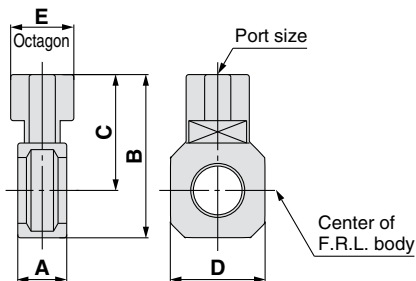


Model	A	B	C	D	Applicable model
IS10M-20-A	10.6	74.2	64.4	28	AC20□-B
IS10M-30-A	12.6	84.5	70.5	30	AC25□-B, AC30□-B
IS10M-40-A	14.6	93.3	75.3	36	AC40□-B
IS10M-50-A	16.6	97.3	77.3	44	AC40□-06-B
IS10M-60-A	22	92.5	68.5	53	AC50□-B, AC55□-B, AC60□-B

* Separate spacers are required for modular unit.

T-Spacer: (T) M5 x 0.8, 1/8, 1/4, 3/8, 1/2

Using a T-spacer facilitates the branching of air flow.



Model ^{Note)}	Port size	A	B	C	D	E	Applicable model
Y110-M5-A	M5 x 0.8	11.2	19	12	14	8	AC10-A, AC10B-A
Y210-□01-A	1/8	14.6	41.8	32	28	19	AC20-B, AC20B-B
Y210-□02-A	1/4						AC20C-B
Y310-□01-A	1/8	14.6	52.7	38.7	30	19	AC25-B, AC25B-B
Y310-□02-A	1/4						AC25C-B, AC30C-B
Y410-□02-A	1/4	18.6	62	44	36	24	AC40-B, AC40B-B
Y410-□03-A	3/8						AC40C-B
Y510-□02-A	1/4	18.6	66	46	44	24	AC40-06-B, AC40B-06-B
Y510-□03-A	3/8						AC40C-06-B
Y610-□03-A	3/8	22	81	57	53	30	AC50-B, AC55-B, AC60-B,
Y610-□04-A	1/2						AC50B-B, AC55B-B, AC60B-B

Note) □ in model numbers indicates a pipe thread type. No indication is necessary for Rc; however, indicate N for NPT, and F for G.

* Separate interfaces are required for modular unit.

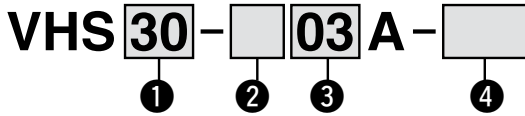
* Refer to the attachment table on page 34 for standard port sizes when using with the AC.

Caution on Mounting

If a T-spacer is used on the inlet side of the lubricator, lubricant may be mixed. Use the AKM series check valve to avoid such possibility.

Pressure Relief 3 Port Valve: (V)

With the use of a pressure relief 3 port valve, pressure left in the line can be easily exhausted.



- Semi-standard: Select one each for a to b.
 - Semi-standard symbol: When more than one specification is required, indicate in alphanumeric order.
- Example) VHS30-03A-RZ

	Symbol	Description	① Body size				
			20	30	40	50	
② Pipe thread type	Nil	Rc	●	●	●	●	
	N (Note)	NPT	●	●	●	●	
	F (Note)	G	●	●	●	●	
③ Port size	01	1/8	●	—	—	—	
	02	1/4	●	●	—	—	
	03	3/8	●	●	●	—	
	04	1/2	—	—	●	—	
	06	3/4	—	—	●	●	
	10	1	—	—	—	●	
④ Semi-standard	a Flow direction	Nil	Flow direction: Left to right	●	●	●	●
		R	Flow direction: Right to left	●	●	●	●
	b Pressure unit	Nil	Name plate in imperial units: MPa	●	●	●	●
		Z (Note)	Name plate in imperial units: psi	●	●	●	●

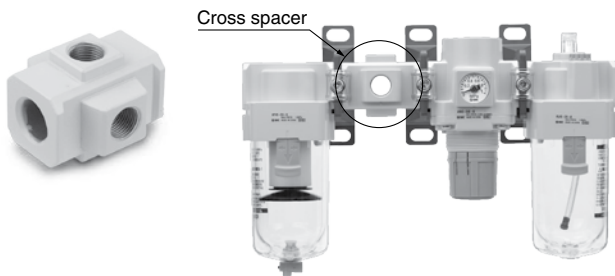
Note) For pipe thread type: NPT only. This product is for overseas use only according to the new Measurement Law. (The SI unit type is provided for use in Japan.)

Specifications

Model	Port size			Specifications								
	IN, OUT	EXH		IN → OUT			OUT → EXH			C	b	Cv
				C(dm ³ /s·bar)	b	Cv	C(dm ³ /s·bar)	b	Cv			
VHS20	1/8	1/8		2.4	0.43	0.65	2.5	0.39	0.69			
	1/4		3.3	0.40	0.88	3.1	0.51	0.84				
VHS30	1/4	1/4		6.4	0.45	1.7	6.2	0.38	1.7			
	3/8		8.3	0.41	2.3	7.0	0.41	1.9				
VHS40	1/4	3/8		7.3	0.49	2.0	8.5	0.35	2.3			
	3/8		10.9	0.45	3.0	11.6	0.40	3.1				
	1/2		14.2	0.39	3.8	13.3	0.43	3.6				
VHS40-06	3/4	1/2		18.3	0.31	5.0	17.7	0.37	4.8			
VHS50	3/4	1/2		23.8	0.41	6.4	21.8	0.41	5.9			
	1		31.9	0.33	8.6	23.5	0.44	6.4				

Cross Spacer: M5 x 0.8, 1/8, 1/4, 3/8, 1/2

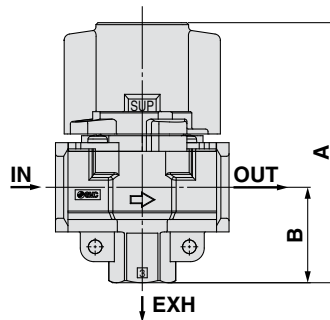
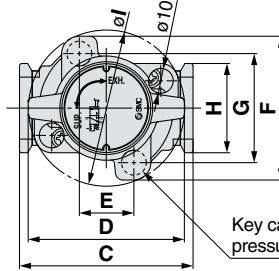
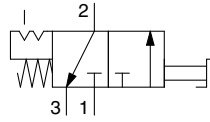
Pipings are possible in all 4 directions.
 IN/OUT ports are not machined for threads.
 Please contact SMC if threaded (machined) ports are required.



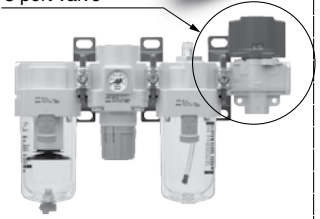
Caution on Mounting

1. When mounting a cross spacer directly on the IN side of the lubricator, be sure to use the AKM series check valve between the lubricator and cross spacer.
2. Factory mounting of a cross spacer on the AC model is available as a special order.

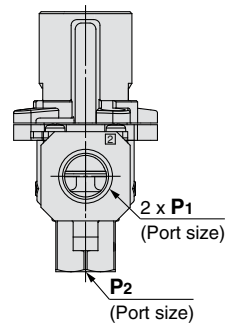
Symbol



Pressure relief 3 port valve

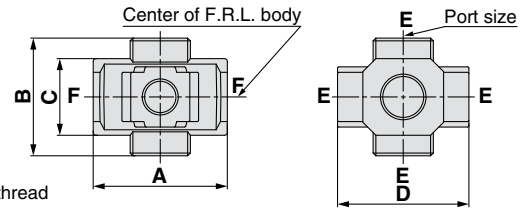


Key can be mounted when residual pressure is released.



Model	Standard specifications										
	P1	P2	A	B	C	D	E	F	G	H	I
VHS20	1/8, 1/4	1/8	66.4	22.3	40	37.5	14	46.6	33.6	28	37.5
VHS30	1/4, 3/8	1/4	80.3	29.4	53	49	19	52	38	30	49
VHS40	1/4, 3/8, 1/2	3/8	104.9	38.5	70	63	22	58	44	36	63
VHS40-06	3/4	1/2	110.4	42	75	63	22	58	44	44	63
VHS50	3/4, 1	1/2	134.3	53	90	76	26	76	61	53	81

Note) Use an air filter on the inlet side for operating protection.



F: Without thread

Model (Note)	E (Port size)	A	B	C	D	Applicable model
Y14-M5-A	M5	23	16	14	25	AC10□-A
Y24-□01-A	1/8	40	40	22	40	AC20□-B
Y24-□02-A	1/4					
Y34-□01-A	1/8	49	43	28	48	AC25□-B, AC30□-B
Y34-□02-A	1/4					
Y44-□02-A	1/4	60	48	36	54	AC40□-B
Y44-□03-A	3/8					
Y54-□03-A	3/8	72	62	40	62	AC40□-06-B
Y54-□04-A	1/2					

Note) □ in model numbers indicates a pipe thread type. No indication is necessary for Rc; however, indicate N for NPT, and F for G.

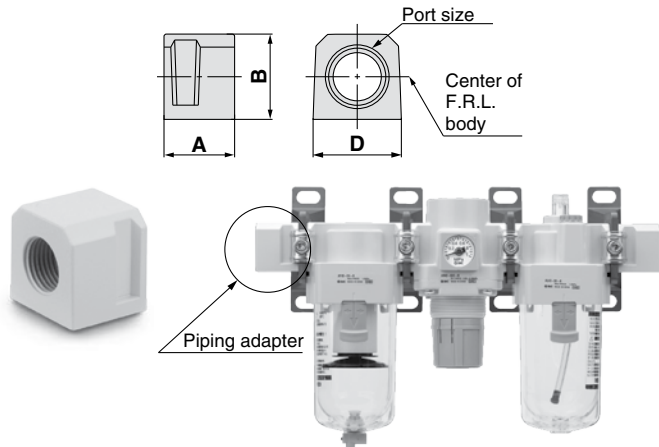
* If threaded IN/OUT ports are required, they are available as a special order. Please contact SMC.

* Two hexagon socket head plugs are included in the package.

Series AC

Piping Adapter: M5 x 0.8, 1/8, 1/4, 3/8, 1/2, 3/4, 1

A piping adapter allows installation/removal of the component without removing the piping and thus makes maintenance easier.



Model ^{Note)}	Port size	A	B	D	Applicable model
E100-M5-A	M5 x 0.8	10	14	14	AC10□-A
E200-□01-A	1/8	29.8	23.5	28	AC20□-B
E200-□02-A	1/4				
E200-□03-A	3/8				
E300-□02-A	1/4	31.8	30	30	AC25□-B, AC30□-B
E300-□03-A	3/8				
E300-□04-A	1/2				
E400-□02-A	1/4	31.8	36	36	AC40□-B
E400-□03-A	3/8				
E400-□04-A	1/2				
E400-□06-A	3/4				
E500-□06-A	3/4	31.8	40	44	AC40□-06-B
E600-□06-A	3/4	35	48	53	AC50-B, AC55-B, AC60-B, AC50A-B, AC60A-B, AC50B-B, AC55B-B, AC60B-B
E600-□10-A	1				

Note) □ in model numbers indicates a pipe thread type. No indication is necessary for Rc; however, indicate N for NPT, and F for G.

* Separate interfaces are required for modular unit.

* Factory mounting of a piping adapter on the AC models is available as a special order.

Pressure Switch with Piping Adapter

IS10E - **30** **□** **03** - **□** - **A**

1
2
3
4

- Semi-standard: Select one each for a to d.
- Semi-standard symbol: When more than one specification is required, indicate in alphanumeric order. Example) IS10E-30N03-6PRZ

	Symbol	Description	① Body size			
			20	30	40	
② Pipe thread type	Nil	Rc	●	●	●	
	N ^{Note)}	NPT	●	●	●	
	F ^{Note)}	G	●	●	●	
③ Port size	01	1/8	●	—	—	
	02	1/4	●	●	●	
	03	3/8	●	●	●	
	04	1/2	—	●	●	
	06	3/4	—	—	●	
④ Semi-standard	a Set pressure range	Nil	15 to 58 psi (0.1 to 0.4 MPa)	●	●	●
		6 ^{Note 1)}	15 to 87 psi (0.1 to 0.6 MPa)	●	●	●
	b Lead wire length	Nil	0.5 m	●	●	●
		L	3 m	●	●	●
		Z	5 m	●	●	●
	c Pressure unit of the scale plate	Nil	MPa	●	●	●
		P ^{Note 2)}	MPa/psi dual scale	●	●	●
	d Mounting position	Nil	Right	●	●	●
R		Left	●	●	●	

Note 1) Set pressure range of 6P (L, R, Z) is 0.2 to 0.6 MPa (30 to 90 psi).

Note 2) For pipe thread type: NPT only. This product is for overseas use only according to the new Measurement Law. (The SI unit type is provided for use in Japan.)

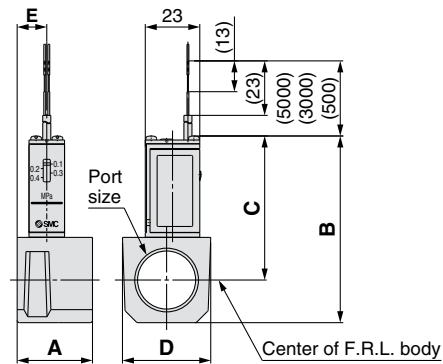
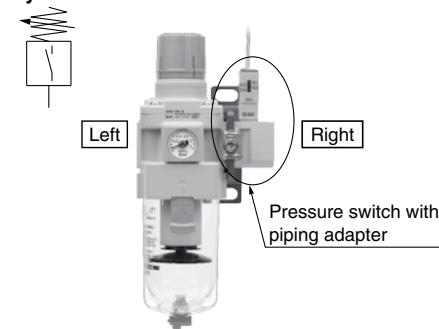
Specifications

Fluid	Air
Ambient and fluid temperature	23 to 140°F (-5 to 60°C) (with no freezing)
Proof pressure	145 psi (1.0 MPa)
Maximum operating pressure	102 psi (0.7 MPa)
Set pressure range (when OFF)	29 to 58 psi (0.1 to 0.4 MPa)
Hysteresis	11.6 psi (0.08 MPa) or less

Switch Characteristics

Contact point configuration	1a
Maximum contact point capacity	2 VA (AC), 2 W (DC)
Operating voltage: AC, DC	100 V or less
Maximum operating current	12 V to 24 V AC, DC: 50 mA
	48 V AC, DC: 40 mA
	100 V AC, DC: 20 mA

Symbol



Model ^{Note 1)}	Port size	A	B	C	D	E	Applicable model
IS10E-20□01-A	1/8	29.8	66.3	55.3	28	16	AC20□-B
IS10E-20□02-A	1/4						
IS10E-20□03-A	3/8						
IS10E-30□02-A	1/4	31.8	72.8	58.8	30	13	AC25□-B, AC30□-B
IS10E-30□03-A	3/8						
IS10E-30□04-A	1/2						
IS10E-40□02-A	1/4	31.8	78.8	60.8	37	12.5	Note 2) AC40□-B
IS10E-40□03-A	3/8						
IS10E-40□04-A	1/2						
IS10E-40□06-A	3/4						

Note 1) □ in the model numbers indicates a pipe thread type. No indication is necessary for Rc; however, indicate N for NPT, and F for G.

Note 2) Cannot be mounted on the AC40-06-B.

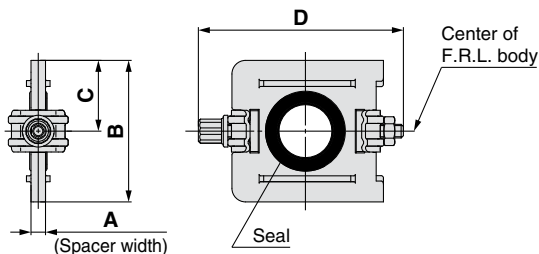
* Separate interfaces are required for modular unit.

* The pressure switch on the AC40□-06-B can be mounted by screwing IS10-01S into the piping adapter E500-□06-A-X501 (with top-face thread Rc1/8). Products with a pre-mounted switch are available as a special order. Please contact SMC regarding their availability.

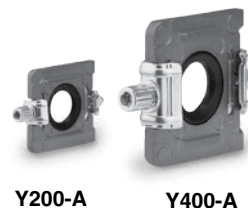
Series AC

Accessories (Spacers/Brackets)

Spacer



Model	A	B	C	D	Applicable model
Y100-A	6	17.9	9	35.4	AC10□-A
Y200-A	3.2	31.2	15.6	44.9	AC20□-B
Y300-A	4.2	43.4	21.7	57.9	AC25□-B, AC30□-B
Y400-A	5.2	53	26.5	68.5	AC40□-B
Y500-A	5.2	57	28.5	75.6	AC40□-06-B
Y600-A	6.2	67.6	33.8	92.5	AC50□-B, AC55□-B, AC60□-B



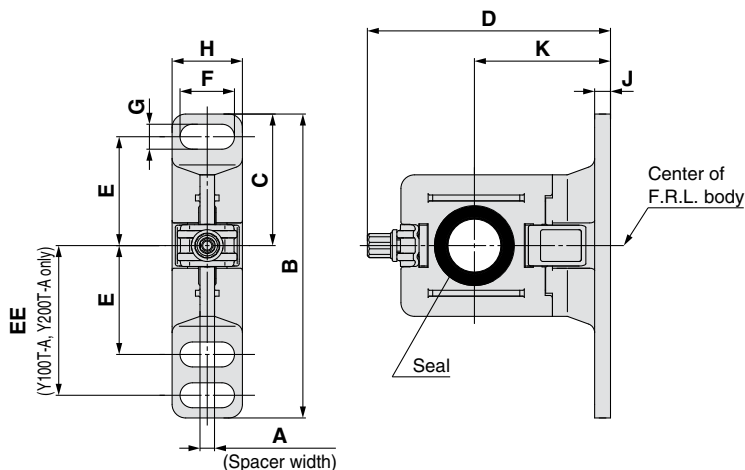
Replacement Parts

Description	Material	Part no.					
		Y100-A	Y200-A	Y300-A	Y400-A	Y500-A	Y600-A
Seal	HNBR (NBR) ^{Note 1)}	Y120P-050AS ^{Note 2)}	Y220P-050S	Y320P-050S	Y420P-050S	Y520P-050S	Y620P-050S

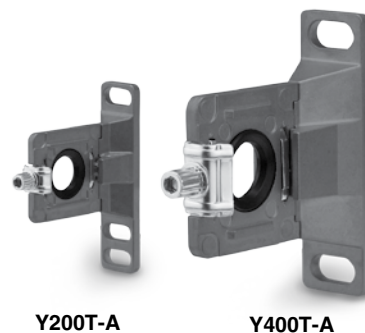
Note 1) (): Size 10

Note 2) Assembly of 2 O-rings

Spacer with Bracket



Model	A	B	C	D	E	EE	F	G	H	J	K	Applicable model
Y100T-A	6	56	24.5	43.6	20	27	6.8	4.5	13	3	25	AC10□-A
Y200T-A	3.2	67	29	53.4	24	33	12	5.5	15.5	3.5	30	AC20□-B
Y300T-A	4.2	82	41	71.5	35	—	14	7	19	4	41	AC25□-B, AC30□-B
Y400T-A	5.2	96	48	86.1	40	—	18	9	26	5	50	AC40□-B
Y500T-A	5.2	96	48	89.6	40	—	18	9	26	5	50	AC40□-06-B
Y600T-A	6.2	120	60	118	50	—	20	11	31.2	6	70	AC50□-B, AC55□-B, AC60□-B



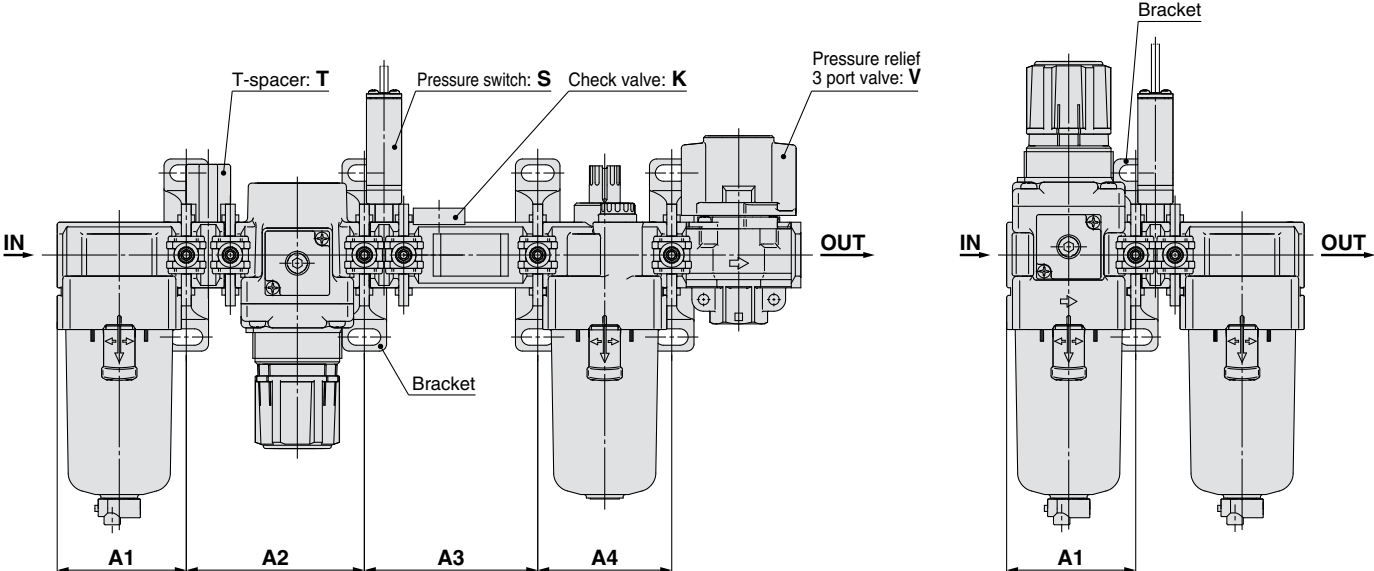
Replacement Parts

Description	Material	Part no.					
		Y100T-A	Y200T-A	Y300T-A	Y400T-A	Y500T-A	Y600T-A
Seal	HNBR (NBR) ^{Note 1)}	Y120P-050AS ^{Note 2)}	Y220P-050S	Y320P-050S	Y420P-050S	Y520P-050S	Y620P-050S

Note 1) (): Size 10

Note 2) Assembly of 2 O-rings

Mounting Position for Spacer with Bracket



Attachment Model	K			S		T		V			KS			KT			KV				KST			
	A1	A2	A3	A1	A2	A1	A2	A1	A2	A3	A1	A2	A3	A1	A2	A3	A1	A2	A3	A4	A1	A2	A3	
AC10-A	—	—	—	—	—	28	48.2	—	—	—	—	—	—	—	—	—	—	—	—	—	—	—	—	—
AC20-B	41.6	43.2	43.2	41.6	43.2	41.6	61	41.6	43.2	43.2	41.6	43.2	57	41.6	61	43.2	41.6	43.2	43.2	43.2	41.6	61	57	—
AC25-B	55.1	57.2	57.2	55.1	57.2	55.1	76	55.1	57.2	57.2	55.1	57.2	74	55.1	76	57.2	55.1	57.2	57.2	57.2	55.1	76	74	—
AC30-B	55.1	57.2	57.2	55.1	57.2	55.1	76	55.1	57.2	57.2	55.1	57.2	74	55.1	76	57.2	55.1	57.2	57.2	57.2	55.1	76	74	—
AC40-B	72.6	75.2	75.2	72.6	75.2	72.6	99	72.6	75.2	75.2	72.6	75.2	95	72.6	99	75.2	72.6	75.2	75.2	75.2	72.6	99	95	—
AC40-06-B	—	—	—	77.6	80.2	77.6	104	77.6	80.2	80.2	—	—	—	—	—	—	—	—	—	—	—	—	—	—
AC50-B	—	—	—	93.1	96.2	93.1	124	—	—	—	—	—	—	—	—	—	—	—	—	—	—	—	—	—
AC55-B	—	—	—	98.1	96.2	98.1	124	—	—	—	—	—	—	—	—	—	—	—	—	—	—	—	—	—
AC60-B	—	—	—	98.1	101.2	98.1	129	—	—	—	—	—	—	—	—	—	—	—	—	—	—	—	—	—

Attachment Model	KSV				KTV				KSTV				ST		SV			STV			TV					
	A1	A2	A3	A4	A1	A2	A3	A4	A1	A2	A3	A4	A1	A2	A1	A2	A3	A1	A2	A3	A1	A2	A3	A1	A2	A3
AC10-A	—	—	—	—	—	—	—	—	—	—	—	—	—	—	—	—	—	—	—	—	—	—	—	—	—	—
AC20-B	41.6	43.2	57	43.2	41.6	61	43.2	43.2	41.6	61	57	43.2	41.6	61	41.6	43.2	57	41.6	61	57	41.6	61	57	41.6	61	43.2
AC25-B	55.1	57.2	74	57.2	55.1	76	57.2	57.2	55.1	76	74	57.2	55.1	76	55.1	57.2	74	55.1	76	74	55.1	76	74	55.1	76	57.2
AC30-B	55.1	57.2	74	57.2	55.1	76	57.2	57.2	55.1	76	74	57.2	55.1	76	55.1	57.2	74	55.1	76	74	55.1	76	74	55.1	76	57.2
AC40-B	72.6	75.2	95	75.2	72.6	99	75.2	75.2	72.6	99	95	75.2	72.6	99	72.6	99	72.6	95	72.6	99	95	72.6	99	75.2	95	75.2
AC40-06-B	—	—	—	—	—	—	—	—	—	—	—	—	—	—	77.6	104	77.6	80.2	102	77.6	104	102	77.6	104	80.2	80.2
AC50-B	—	—	—	—	—	—	—	—	—	—	—	—	—	93.1	124	93.1	189.3	124	93.1	124	124	93.1	124	124	96.2	96.2
AC55-B	—	—	—	—	—	—	—	—	—	—	—	—	—	98.1	124	—	—	—	—	—	—	—	—	—	—	—
AC60-B	—	—	—	—	—	—	—	—	—	—	—	—	—	98.1	129	—	—	—	—	—	—	—	—	—	—	—

Attachment Model	K		S		V		KS		KV			KSV			SV	
	A1	A2	A1	A1	A2	A2	A1	A2	A1	A2	A3	A1	A2	A3	A1	A2
AC20A-B	41.6	43.2	41.6	41.6	43.2	41.6	57	41.6	43.2	43.2	41.6	57	43.2	41.6	57	
AC30A-B	55.1	57.2	55.1	55.1	57.2	55.1	74	55.1	57.2	57.2	55.1	74	57.2	55.1	74	
AC40A-B	72.6	75.2	72.6	72.6	75.2	72.6	95	72.6	75.2	75.2	72.6	95	75.2	72.6	95	
AC40A-06-B	—	—	77.6	77.6	80.2	—	—	—	—	—	—	—	—	77.6	102	
AC50A-B	—	—	93.1	93.1	96.2	—	—	—	—	—	—	—	—	93.1	124	
AC60A-B	—	—	98.1	—	—	—	—	—	—	—	—	—	—	—	—	

Attachment Model	S		T		V		V1		SV		SV1		TV		TV1	
	A1	A1	A1	A2	A1	A2	A1	A2	A1	A2	A1	A2	A1	A2	A1	A2
AC10B-A	—	28	—	—	—	—	—	—	—	—	—	—	—	—	—	—
AC20B-B	41.6	41.6	41.6	43.2	41.6	43.2	41.6	57	41.6	43.2	41.6	61	41.6	43.2	—	—
AC25B-B	55.1	55.1	55.1	57.2	55.1	57.2	55.1	74	55.1	57.2	55.1	76	55.1	57.2	—	—
AC30B-B	55.1	55.1	55.1	57.2	55.1	57.2	55.1	74	55.1	57.2	55.1	76	55.1	57.2	—	—
AC40B-B	72.6	72.6	72.6	75.2	72.6	75.2	72.6	95	72.6	75.2	72.6	99	72.6	75.2	—	—
AC40B-06-B	77.6	77.6	77.6	80.2	77.6	80.2	77.6	102	77.6	80.2	77.6	104	77.6	80.2	—	—
AC50B-B	93.1	93.1	93.1	189.3	93.1	96.2	93.1	124	93.1	96.2	93.1	124	93.1	96.2	—	—
AC55B-B	98.1	98.1	—	—	—	—	—	—	—	—	—	—	—	—	—	—
AC60B-B	98.1	98.1	—	—	—	—	—	—	—	—	—	—	—	—	—	—

Attachment Model	S		T		V			V1			SV			SV1			TV			TV1		
	A1	A2	A1	A2	A1	A2	A3	A1	A2	A3	A1	A2	A3	A1	A2	A3	A1	A2	A3	A1	A2	A3
AC20C-B	41.6	43.2	41.6	43.2	41.6	43.2	43.2	41.6	43.2	43.2	41.6	43.2	57	41.6	43.2	43.2	41.6	43.2	61	41.6	43.2	43.2
AC25C-B	55.1	57.2	55.1	57.2	55.1	57.2	57.2	55.1	57.2	57.2	55.1	57.2	74	55.1	57.2	57.2	55.1	57.2	76	55.1	57.2	57.2
AC30C-B	55.1	57.2	55.1	57.2	55.1	57.2	57.2	55.1	57.2	57.2	55.1	57.2	74	55.1	57.2	57.2	55.1	57.2	76	55.1	57.2	57.2
AC40C-B	72.6	75.2	72.6	75.2	72.6	75.2	75.2	72.6	75.2	75.2	72.6	75.2	95	72.6	75.2	75.2	72.6	75.2	99	72.6	75.2	75.2
AC40C-06-B	77.6	80.2	77.6	80.2	77.6	80.2	80.2	77.6	80.2	80.2	77.6	80.2	102	77.6	80.2	80.2	77.6	80.2	104	77.6	80.2	80.2




Attachment Model	S		V		V1		SV		SV1		
	A1	A1	A2	A1	A2	A1	A2	A1	A2	A1	A2
AC20D-B	41.6	41.6	43.2	41.6	43.2	41.6	57	41.6	43.2	—	—
AC30D-B	55.1	55.1	57.2	55.1	57.2	55.1	74	55.1	57.2	—	—
AC40D-B	72.6	72.6	75.2	72.6	75.2	72.6	95	72.6	75.2	—	—
AC40D-06-B	77.6	77.6	80.2	77.6	80.2	77.6	102	77.6	80.2	—	—

A1: Dimension from the end of the IN side to the center of the mounting hole for the first bracket.
 A2: Mounting hole pitch between the first and the second brackets.
 A3: Mounting hole pitch between the second and the third brackets.
 A4: Mounting hole pitch between the third and the fourth brackets.

AC
 AF+AR+AL
 AF+AR
 AW+AL
 AF+AR
 AF+AFM+AR
 AW+AFM
 Attachment
 AF
 AFM/AFD
 AR
 AL
 AW

Modular Type Air Filters

Series *AF/AFM/AFD*

Air Filter Series AF	Model	Port size	Filtration μm	Options
 <p>P.43 to 51</p>	AF10-A	M5 x 0.8	5	Bracket (Except AF10-A) Float type auto drain
	AF20-A	1/8, 1/4		
	AF30-A	1/4, 3/8		
	AF40-A	1/4, 3/8, 1/2		
	AF40-06-A	3/4		
	AF50-A	3/4, 1		
	AF60-A	1		
 <p>P.53 to 60</p>	AFM20-A	1/8, 1/4	0.3	Bracket Float type auto drain
	AFM30-A	1/4, 3/8		
	AFM40-A	1/4, 3/8, 1/2		
	AFM40-06-A	3/4		
 <p>P.53 to 60</p>	AFD20-A	1/8, 1/4	0.01	Bracket Float type auto drain
	AFD30-A	1/4, 3/8		
	AFD40-A	1/4, 3/8, 1/2		
	AFD40-06-A	3/4		

AC

AF+AR+AL

AW+AL

AF+AR

AF+AFM+AR

AW+AFM

Attachment

AF

AFM/AFD

AR

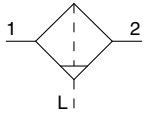
AL

AW

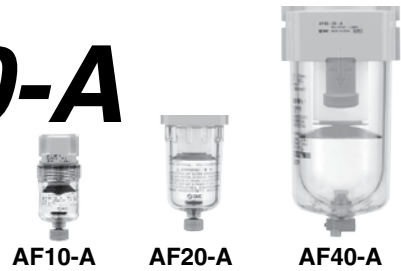
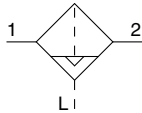
Air Filter

AF10-A to AF60-A

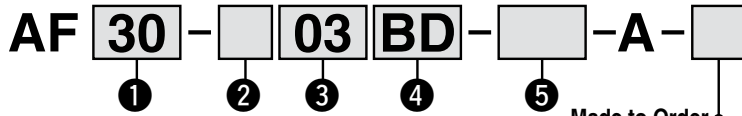
Symbol
Air Filter



Air Filter with Auto Drain



How to Order



(Refer to pages 50 and 51 for details.)

- Option/Semi-standard: Select one each for a to f.
- Option/Semi-standard symbol: When more than one specification is required, indicate in alphanumeric order.
Example) AF30-03BD-R-A

		Symbol	Description	① Body size						
				10	20	30	40	50	60	
②	Pipe thread type	Nil	Metric thread (M5)	●	—	—	—	—	—	
		N <small>Note 1)</small>	Rc	—	●	●	●	●	●	
		F <small>Note 2)</small>	NPT	—	●	●	●	●	●	
			G	—	●	●	●	●	●	
③	Port size	M5	M5 x 0.8	●	—	—	—	—	—	
		01	1/8	—	●	—	—	—	—	
		02	1/4	—	●	●	—	—	—	
		03	3/8	—	—	●	●	—	—	
		04	1/2	—	—	—	●	—	—	
		06	3/4	—	—	—	—	●	—	
④	a	Mounting	Nil	Without mounting option	●	●	●	●	●	●
			B <small>Note 3)</small>	With bracket	—	●	●	●	●	●
	b	Float type auto drain	Nil	Without auto drain	●	●	●	●	●	●
			C <small>Note 4)</small>	N.C. (Normally closed) Drain port is closed when pressure is not applied.	●	●	●	●	●	●
	D <small>Note 5)</small>	N.O. (Normally open) Drainport is open when pressure is not applied.	—	—	●	●	●	●		
⑤	c	Bowl <small>Note 6)</small>	Nil	Polycarbonate bowl	●	●	●	●	●	●
			2	Metal bowl	●	●	●	●	●	●
			6	Nylon bowl	●	●	●	●	●	●
			8	Metal bowl with level gauge	—	—	●	●	●	●
			C	With bowl guard	—	●	— <small>Note 7)</small>	— <small>Note 7)</small>	— <small>Note 7)</small>	— <small>Note 7)</small>
			6C	With bowl guard (Nylon bowl)	—	●	— <small>Note 8)</small>	— <small>Note 8)</small>	— <small>Note 8)</small>	— <small>Note 8)</small>
	d	Drain port <small>Note 9)</small>	Nil	With drain cock	●	●	●	●	●	●
			J <small>Note 10)</small>	Drain guide 1/8	—	●	—	—	—	—
				Drain guide 1/4	—	—	●	●	●	●
			W <small>Note 11)</small>	Drain cock with barb fitting	—	—	●	●	●	●
e	Flow direction	Nil	Flow direction: Left to right	●	●	●	●	●	●	
		R	Flow direction: Right to left	●	●	●	●	●	●	
f	Pressure unit	Nil	Name plate and caution plate for bowl in imperial units: MPa	●	●	●	●	●	●	
		Z <small>Note 12)</small>	Name plate and caution plate for bowl in imperial units: psi, °F	○ <small>Note 13)</small>	○ <small>Note 13)</small>	○ <small>Note 13)</small>	○ <small>Note 13)</small>	○ <small>Note 13)</small>	○ <small>Note 13)</small>	

Note 1) Drain guide is NPT1/8 (applicable to the AF20-A) and NPT1/4 (applicable to the AF30-A to AF60-A).

The auto drain port comes with $\phi 3/8$ " One-touch fitting (applicable to the AF30-A to AF60-A).

Note 2) Drain guide is G1/8 (applicable to the AF20-A) and G1/4 (applicable to the AF30-A to AF60-A).

The auto drain port comes with $\phi 10$ One-touch fitting (applicable to the AF30-A to AF60-A).

Note 3) Option B is not assembled and supplied loose at the time of shipment. Assembly of a bracket and 2 mounting screws.

Note 4) When pressure is not applied, condensate which does not start the auto drain mechanism will be left in the bowl.

Releasing the residual condensate before ending operations for the day is recommended.

Note 5) If the compressor is small (0.75 kW, discharge flow is less than 3.5 scfm (100 L/min [ANR])), air leakage from the drain cock may occur during start of operations. N.C. type is recommended.

Note 6) Refer to Chemical data on page 46 for chemical resistance of the bowl.

Note 7) A bowl guard is provided as standard equipment (polycarbonate).

Note 8) A bowl guard is provided as standard equipment (nylon).

Note 9) The combination of float type auto drain: C and D is not available.

Note 10) Without a valve function

Note 11) The combination of metal bowl: 2 and 8 is not available.

Note 12) For pipe thread type: M5, NPT. This product is for overseas use only according to the new Measurement Law. (The SI unit type is provided for use in Japan.)

Note 13) ○: For pipe thread type: M5, NPT only

Air Filters Series AF10-A to AF60A

Standard Specifications

Model	AF10-A	AF20-A	AF30-A	AF40-A	AF40-06-A	AF50-A	AF60-A
Port size	M5 x 0.8	1/8, 1/4	1/4, 3/8	1/4, 3/8, 1/2	3/4	3/4, 1	1
Fluid	Air						
Ambient and fluid temperature	23 to 140 psi (-5 to 60°C) (with no freezing)						
Proof pressure	218 psi (1.5 MPa)						
Maximum operating pressure	145 psi (1.0 MPa)						
Nominal filtration rating	5 µm						
Drain capacity (cm ³)	2.5	8	25	45			
Bowl material	Polycarbonate						
Bowl guard	—	Semi-standard (Steel)	Standard (Polycarbonate)				
Weight (kg)	0.06	0.08	0.18	0.36	0.41	0.87	1.00

Options/Part No.

Optional specifications	Model						
	AF10-A	AF20-A	AF30-A	AF40-A	AF40-06-A	AF50-A	AF60-A
Bracket assembly ^{Note)}	—	AF22P-050AS	AF32P-050AS	AF42P-050AS	AF42P-070AS	AF52P-050AS	

Note) Assembly of a bracket and 2 mounting screws

Bowl Assembly/Part No.

Bowl material	Drain discharge mechanism	Drain port	Other	Model							
				AF10-A	AF20-A	AF30-A	AF40-A	AF40-06-A	AF50-A	AF60-A	
Polycarbonate bowl	Manual discharge	With drain cock	—	C1SF-A	C2SF-A	—	—				
			With bowl guard	—	C2SF-C-A	C3SF-A	C4SF-A				
		Drain cock with barb fitting	With bowl guard	—	—	C3SF-W-A	C4SF-W-A				
			With bowl guard	—	—	C3SF-J-A	C4SF-J-A				
	Automatic discharge ^{Note)} (Auto drain)	Normally closed (N.C.)	—	AD17-A	AD27-A	—	—				
			With bowl guard	—	AD27-C-A	AD37-A	AD47-A				
Nylon bowl	Manual discharge	With drain cock	—	C1SF-6-A	C2SF-6-A	—	—				
			With bowl guard	—	C2SF-6C-A	C3SF-6-A	C4SF-6-A				
		Drain cock with barb fitting	With bowl guard	—	—	C3SF-6W-A	C4SF-6W-A				
			With bowl guard	—	—	C3SF-6J-A	C4SF-6J-A				
	Automatic discharge ^{Note)} (Auto drain)	Normally closed (N.C.)	—	AD17-6-A	AD27-6-A	—	—				
			With bowl guard	—	AD27-6C-A	AD37-6-A	AD47-6-A				
Metal bowl	Manual discharge	With drain cock	—	C1SF-2-A	C2SF-2-A	C3SF-2-A	C4SF-2-A				
			With level gauge	—	—	C3LF-8-A	C4LF-8-A				
		With drain guide (without valve function)	With level gauge	—	—	C3SF-2J-A	C3SF-2J-A	C4SF-2J-A			
			With level gauge	—	—	C3LF-8J-A	C4LF-8J-A				
	Automatic discharge ^{Note)} (Auto drain)	Normally closed (N.C.)	—	AD17-2-A	AD27-2-A	AD37-2-A	AD47-2-A				
			With level gauge	—	—	AD37-8-A	AD47-8-A				
Normally open (N.O.)	—	—	—	AD38-2-A	AD48-2-A						
	With level gauge	—	—	AD38-8-A	AD48-8-A						

Note) Minimum operating pressure: N.O. type—0.1 MPa (AD38-A, AD48-A); N.C. type—15 PSI (0.1 MPa) (AD17-A, AD27-A) and 22 psi (0.15 MPa) (AD37-A, AD47-A).

Bowl assembly for the AF20-A to AF60-A models comes with a bowl seal.

□ in bowl assembly part numbers indicates a pipe thread type (applicable tubing for auto drain).

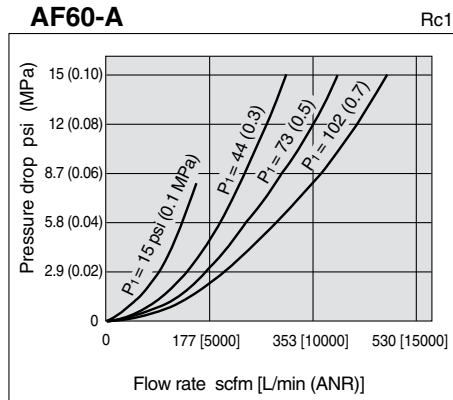
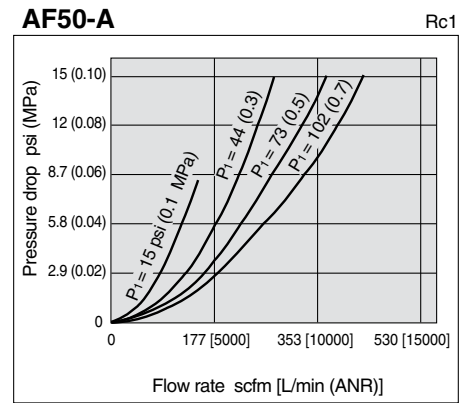
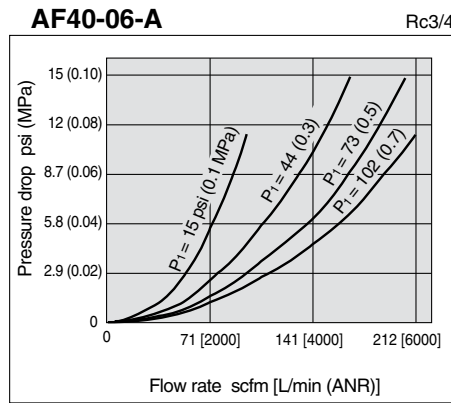
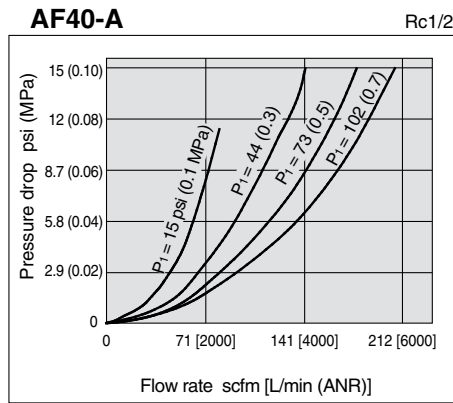
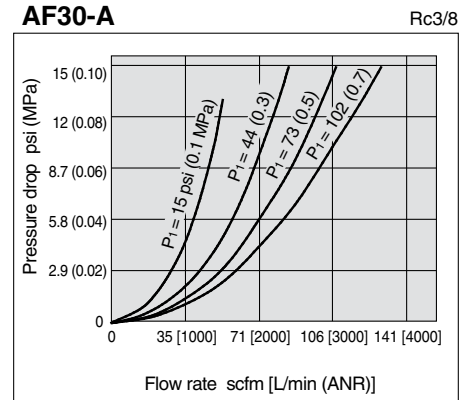
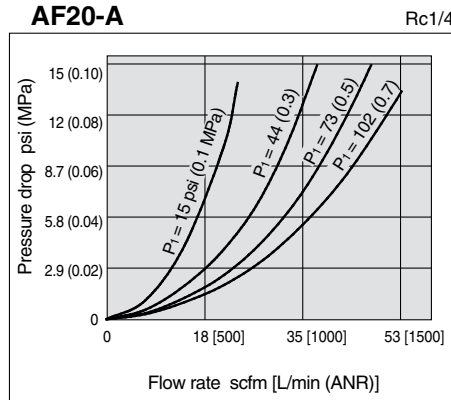
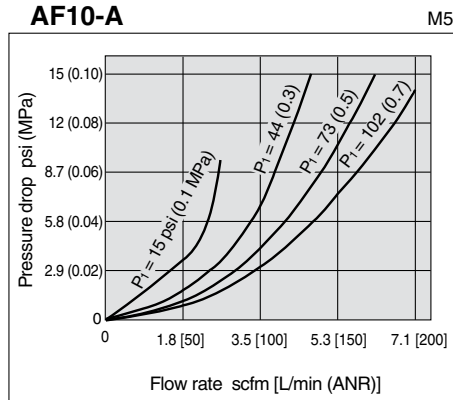
No indication is necessary for Rc thread; however, indicate N for NPT thread, and F for G thread. (For auto drain, Nil: ø10, N: ø3/8")

Please consult with SMC separately for psi and °F unit display specifications.

AC
 AF+AR+AL
 AW+AL
 AF+AR
 AF+AFM+AR
 AW+AFM
 Attachment
 AF
 AFM/AFD
 AR
 AL
 AW

Series AF10-A to AF60-A

Flow-rate Characteristics (Representative values)



⚠ Specific Product Precautions

Be sure to read this before handling. Refer to the back cover for Safety Instructions, "Handling Precautions for SMC Products" and the Operation Manual for F.R.L. Precautions, <http://www.smcworld.com>

Design/Selection

⚠ Warning

- The standard bowl for the air filter, filter regulator, and lubricator, as well as the sight dome for the lubricator are made of polycarbonate. Do not use in an environment where they are exposed to or come in contact with organic solvents, chemicals, cutting oil, synthetic oil, alkali, and thread lock solutions.

**Effects of atmosphere of organic solvents and chemicals, and where these elements are likely to adhere to the equipment.
Chemical data for substances causing degradation (Reference)**

Type	Chemical name	Application examples	Material	
			Polycarbonate	Nylon
Acid	Hydrochloric acid Sulfuric acid, Phosphoric acid Chromic acid	Acid washing liquid for metals	△	×
Alkaline	Sodium hydroxide (Caustic soda) Potash Calcium hydroxide (Slack lime) Ammonia water Carbonate of soda	Degreasing of metals Industrial salts Water-soluble cutting oil	×	○
Inorganic salts	Sodium sulfide Sulfate of potash Sulfate of soda	—	×	△
Chlorine solvents	Carbon tetrachloride Chloroform Ethylene chloride Methylene chloride	Cleansing liquid for metals Printing ink Dilution	×	△
Aromatic series	Benzene Toluene Paint thinner	Coatings Dry cleaning	×	△
Ketone	Acetone Methyl ethyl ketone Cyclohexane	Photographic film Dry cleaning Textile industries	×	×
Alcohol	Ethyl alcohol IPA Methyl alcohol	Antifreeze Adhesives	△	×
Oil	Gasoline Kerosene	—	×	○
Ester	Phthalic acid dimethyl Phthalic acid diethyl Acetic acid	Synthetic oil Anti-rust additives	×	○
Ether	Methyl ether Ethyl ether	Brake oil additives	×	○
Amino	Methyl amino	Cutting oil Brake oil additives Rubber accelerator	×	×
Others	Thread-lock fluid Seawater Leak tester	—	×	△

○: Essentially safe △: Some effects may occur. ×: Effects will occur.

When the above factors are present, or there is some doubt, use a metal bowl for safety.

Maintenance

⚠ Warning

- Replace the element every 2 years or when the pressure drop becomes 15 psi (0.1 MPa), whichever comes first, to prevent damage to the element.

Mounting/Adjustment

⚠ Caution

- When the bowl is installed on the air filter (AF30-A to AF60-A), install them so that the lock button lines up to the groove of the front (or the back) of the body to avoid drop or damage of the bowl.



AC

AF+AR+AL

AW+AL

AF+AR

AF+AFM+AR

AW+AFM

Attachment

AF

AFM / AFD

AR

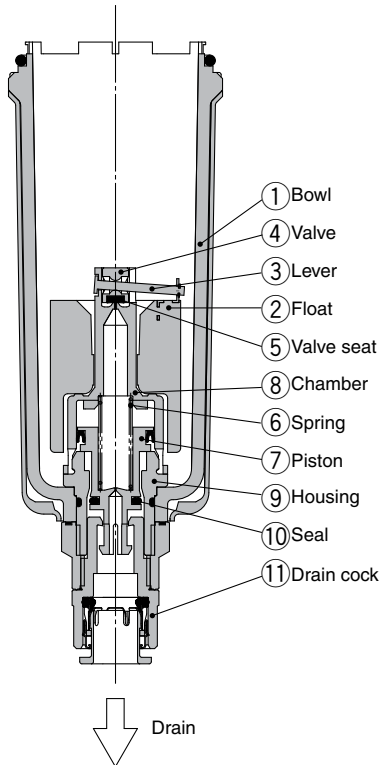
AL

AW

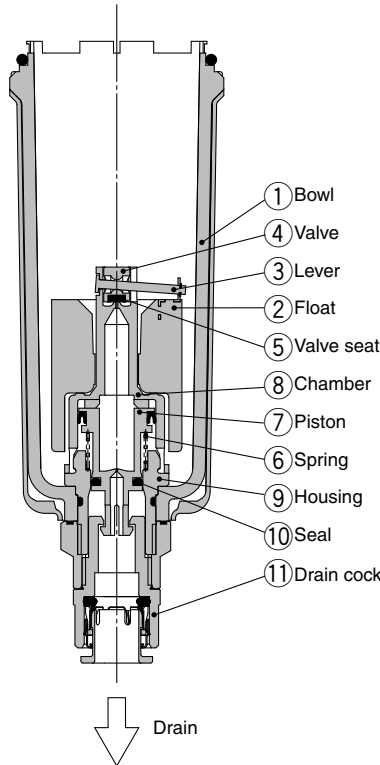
Series AF10-A to AF60-A

Working Principle: Float Type Auto Drain

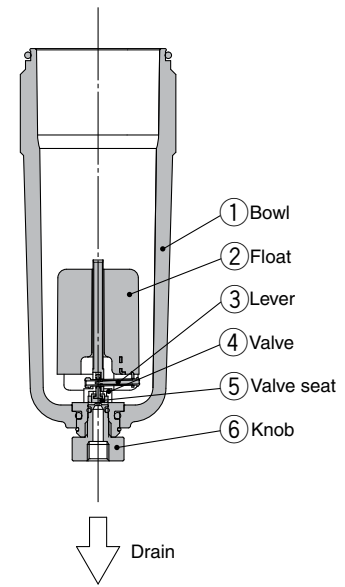
N.O. type: AD38-A, AD48-A



N.C. type: AD37-A, AD47-A



Compact auto drain N.C. type:
AD17-A, AD27-A



- **When pressure inside the bowl is released:**

When pressure is released from the bowl ①, the piston ⑦ is lowered by the spring ⑥. The sealing action of the seal ⑩ is interrupted, and the outside air flows inside the bowl ① through the housing hole ⑨ and the drain cock ⑪.

Therefore, if there is an accumulation of condensate in the bowl ①, it will drain out through the drain cock.

- **When pressure is applied inside the bowl:**

When pressure is 0.1 MPa or more, the force of the piston ⑦ surpasses the force of the spring ⑥, and the piston goes up.

This pushes seal ⑩ up so that it creates a seal, and the inside of the bowl ①, is shut off from the outside air.

If there is no accumulation of condensate in the bowl ① at this time, the float ② will be pulled down by its own weight, causing the valve ④, which is connected to the lever ③, to seal the valve seat ⑤.

- **When there is an accumulation of condensate in the bowl:**

The float ② rises due to its own buoyancy and the seal at the valve seat ⑤ is interrupted.

This allows the pressure inside the bowl ① to enter the chamber ⑧. The result is that the combined pressure inside the chamber ⑧ and the force of the spring ⑥ lowers the piston ⑦.

This causes the sealing action of the seal ⑩ to be interrupted, and the accumulated condensate in the bowl ① drains out through the drain cock ⑪.

Turning the drain cock ⑪ manually counterclockwise lowers the piston ⑦, and causes the seal created by the seal ⑩ to be interrupted, thus allowing the condensate to drain out.

- **When pressure inside the bowl is released:**

Even when pressure inside the bowl ① is released, spring ⑥ keeps the piston ⑦ in its upward position.

This keeps the seal created by the seal ⑩ in place; thus, the inside of the bowl ① is shut off from the outside air.

Therefore, even if there is an accumulation of condensate in the bowl ①, it will not drain out.

- **When pressure is applied inside the bowl:**

Even when pressure is applied inside the bowl ①, the combined force of the spring ⑥ and the pressure inside the bowl ① keeps the piston ⑦ in its upward position.

This maintains the seal created by the seal ⑩ in place; thus, the inside of the bowl ① is shut off from the outside air.

If there is no accumulation of condensate in the bowl ① at this time, the float ② will be pulled down by its own weight, causing the valve ④, which is connected to the lever ③, to seal the valve seat ⑤.

- **When there is an accumulation of condensate in the bowl:**

The float ② rises due to its own buoyancy and the seal at the valve seat ⑤ is interrupted. This allows the pressure inside the bowl ① to enter the chamber ⑧.

The result is that the pressure inside the chamber ⑧ surpasses the force of the spring ⑥ and pushes the piston ⑦ downward.

This causes the sealing action of the seal ⑩ to be interrupted and the accumulated condensate in the bowl ① drains out through the drain cock ⑪.

Turning the drain cock ⑪ manually counterclockwise lowers the piston ⑦, and causes the seal created by the seal ⑩ to be interrupted, thus allowing the condensate to drain out.

- **When pressure inside the bowl is released:**

Even when pressure inside the bowl ① is released, the weight of the float ② causes the valve ④, which is connected to the lever ③, to seal the valve seat ⑤. As a result, the inside of the bowl ① is shut off from the outside air.

Therefore, even if there is an accumulation of condensate in the bowl ①, it will not drain out.

- **When pressure is applied inside the bowl:**

Even when pressure is applied inside the bowl ①, the weight of the float ② and the differential pressure that is applied to the valve ④ cause the valve ④ to seal the valve seat ⑤, and the outside air is shut off from the inside of the bowl ①.

- **When there is an accumulation of condensate in the bowl:**

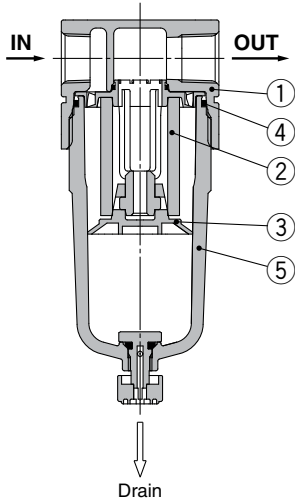
The float ② rises due to its own buoyancy and the seal at the valve seat ⑤ is interrupted.

The condensate inside the bowl ① drains out through the knob ⑥.

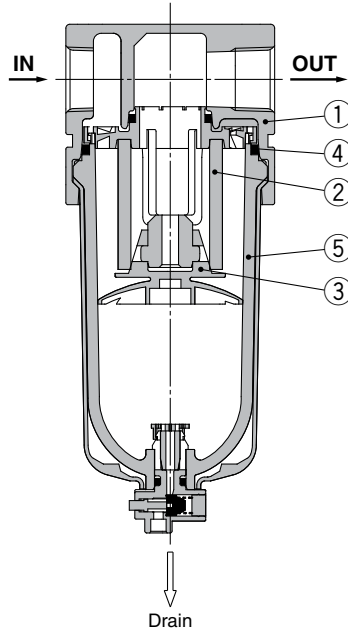
Turning the knob ⑥ manually counterclockwise lowers it and causes the sealing action of the valve seat ⑤ to be interrupted, which allows the condensate to drain out.

Construction

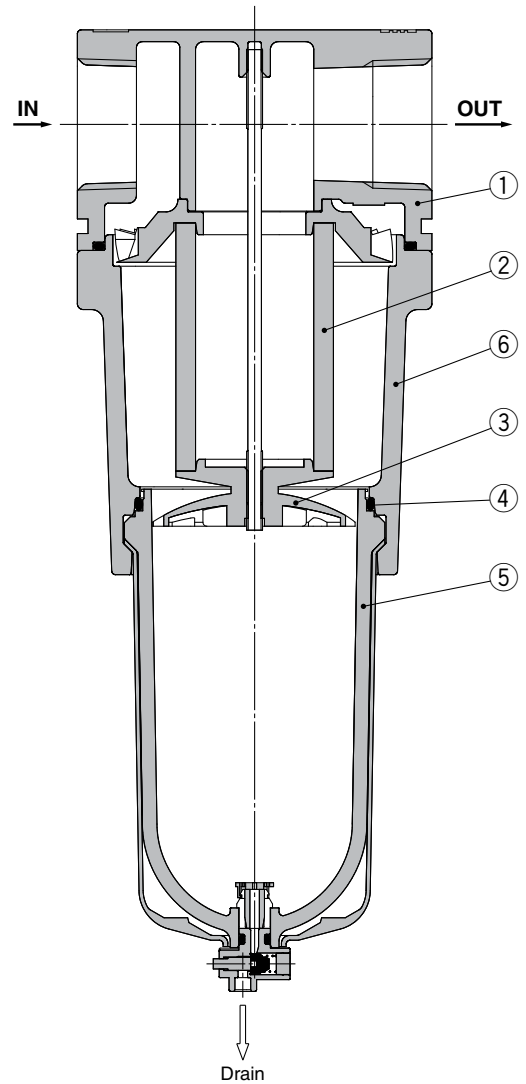
AF10-A/AF20-A



AF30-A to AF40-06-A



AF50-A/AF60-A



Component Parts

No.	Description	Material	Model	Color
1	Body	Zinc die-cast	AF10-A	White
		Aluminum die-cast	AF20-A to AF60-A	
6	Housing	Aluminum die-cast	AF50-A/AF60-A	White

Replacement Parts

No.	Description	Material	Part no.						
			AF10-A	AF20-A	AF30-A	AF40-A	AF40-06-A	AF50-A	AF60-A
2	Filter element	Non-woven fabric	AF10P-060S	AF20P-060S	AF30P-060S	AF40P-060S		AF50P-060S	AF60P-060S
3	Baffle	PBT	AF10P-040S ^{Note 2)}	AF22P-040S	AF32P-040S	AF42P-040S		AF50P-040S	AF60P-040S
4	Bowl seal	NBR	C1SFP-260S	C2SFP-260S	C32FP-260S	C42FP-260S			
5	Bowl assembly ^{Note 1)}	Polycarbonate	C1SF-A	C2SF-A	C3SF-A	C4SF-A			

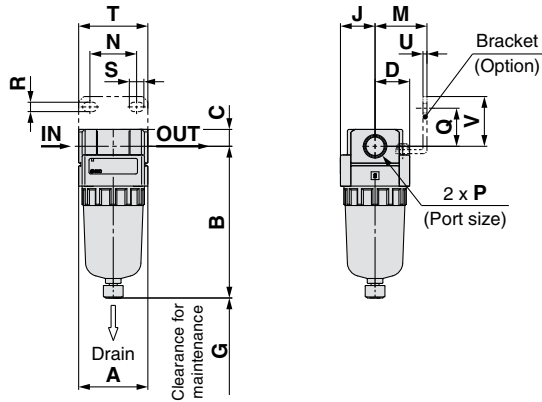
Note 1) Bowl seal is included for the AF20-A to AF60-A. Please contact SMC regarding the supply of bowl assembly with psi and °F unit specifications.

Note 2) The baffle material for the AF10-A (AF10P-040S) only is polyacetal.

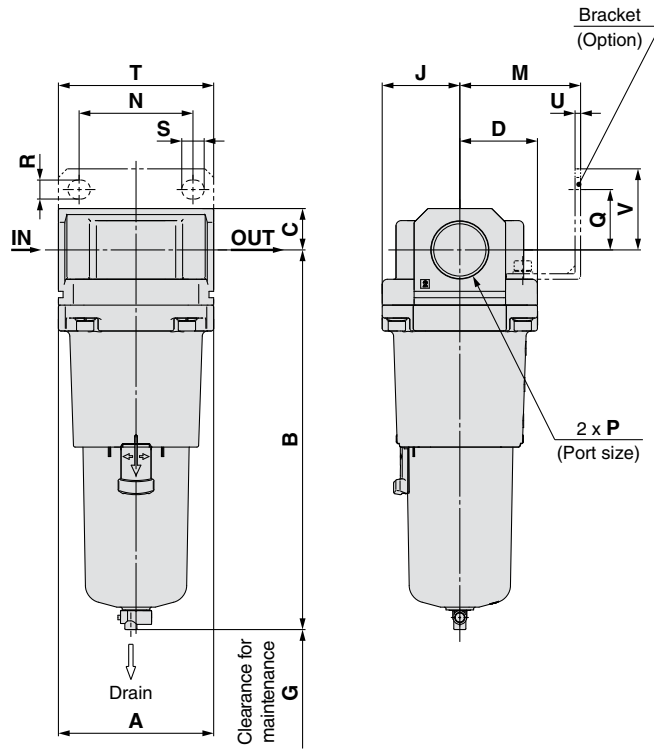
Series AF10-A to AF60-A

Dimensions

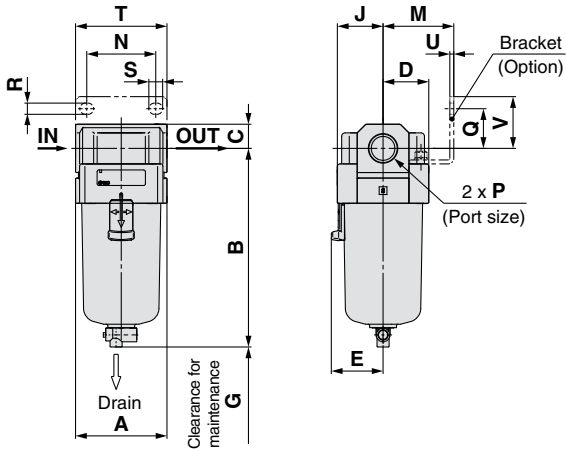
AF10-A/AF20-A



AF50-A/AF60-A



AF30-A to AF40-06-A



Applicable model	AF10-A/AF20-A		AF20-A		AF30-A to AF60-A	
Optional/Semi-standard specifications	With auto drain (N.C.)	Metal bowl	With drain guide	Metal bowl with drain guide	With auto drain (N.O./N.C.)	
Dimensions					 N.O.: Black N.C.: Gray Thread type/Rc, G: $\phi 10$ One-touch fitting Thread type/NPT: $\phi 3/8$ " One-touch fitting	

Applicable model	AF30-A to AF60-A					
Optional/Semi-standard specifications	Metal bowl	Metal bowl with drain guide	Metal bowl with level gauge	Metal bowl with level gauge, with drain guide	With drain guide	Drain cock with barb fitting
Dimensions						

Model	Standard specifications																	Optional specifications							Semi-standard specifications						
	Standard specifications																	Bracket mount							With auto drain	With barb fitting	With drain guide	Metal bowl	Metal bowl with drain guide	Metal bowl with level gauge	Metal bowl with level gauge, with drain guide
	P	A	B	C	D	E	G	J	M	N	Q	R	S	T	U	V	B	B	B	B	B	B	B	B	B	B	B				
AF10-A	M5 x 0.8	25	59.9	7	12.5	—	25	12.5	—	—	—	—	—	—	—	77.9	—	—	—	59.3	—	—	—	—	—	—					
AF20-A	1/8, 1/4	40	87.6	9.8	20	—	25	20	30	27	22	5.4	8.4	40	2.3	28	104.9	—	91.4	87.4	93.9	—	—	—	—	—					
AF30-A	1/4, 3/8	53	115.1	14	26.7	30	35	26.7	41	40	23	6.5	8	53	2.3	30	156.8	123.6	121.9	117.6	122.1	137.6	142.1	—	—	—					
AF40-A	1/4, 3/8, 1/2	70	147.1	18	35.5	38.4	40	35.5	50	54	26	8.5	10.5	70	2.3	35	186.9	155.6	153.9	149.6	154.1	169.6	174.1	—	—	—	—				
AF40-06-A	3/4	75	149.1	20	35.5	38.4	40	35.5	50	54	26	8.5	10.5	70	2.3	34	188.9	157.6	155.9	151.6	156.1	171.6	176.1	—	—	—	—				
AF50-A	3/4, 1	90	220.1	24	45	—	30	45	70	66	35	11	13	90	3.2	47	259.9	228.6	226.9	222.6	227.1	242.6	247.1	—	—	—	—				
AF60-A	1	95	234.1	24	47.5	—	30	47.5	70	66	35	11	13	90	3.2	47	273.9	242.6	240.9	236.6	241.1	256.6	261.1	—	—	—	—				

Air Filter/AF20-A to AF40-06-A

Made to Order



Please contact SMC for detailed dimensions, specifications and lead times.

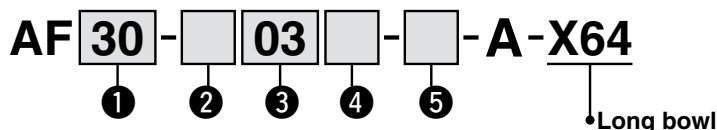
① Long Bowl

Drain capacity is greater than that of standard models.

Applicable Model/Drain Capacity

Model	AF20-A	AF30-A	AF40-A	AF40-06-A
Port size	1/8, 1/4	1/4, 3/8	1/4, 3/8, 1/2	3/4
Drain capacity (cm ³)	19	43	88	

Note) Please consult with SMC for dimensions.



- Semi-standard: Select one each for a to d.
- Option/Semi-standard symbol: When more than one specification is required, indicate in alphanumeric order.
Example) AF30-03B-2R-A-X64

	Symbol	Description	① Body size			
			20	30	40	
② Pipe thread type	Nil	Rc	●	●	●	
	N Note 1)	NPT	●	●	●	
	F Note 2)	G	●	●	●	
+						
③ Port size	01	1/8	●	—	—	
	02	1/4	●	●	●	
	03	3/8	—	●	●	
	04	1/2	—	—	●	
	06	3/4	—	—	●	
+						
④ Option (Mounting)	Nil	Without mounting option	●	●	●	
	B Note 3)	With bracket	●	●	●	
+						
⑤ Semi-standard	a Bowl Note 4)	Nil	Polycarbonate bowl	●	●	●
		2	Metal bowl	●	●	●
		6	Nylon bowl	●	●	●
		C	With bowl guard	●	— Note 5)	— Note 5)
		6C	With bowl guard (Nylon bowl)	●	— Note 6)	— Note 6)
+						
b Drain port	Nil	With drain cock	●	●	●	
	J Note 7)	Drain guide 1/8	●	—	—	
	W Note 8)	Drain cock with barb fitting (for ø6 x ø4 nylon tube)	—	●	●	
+						
c Flow direction	Nil	Flow direction: Left to right	●	●	●	
	R	Flow direction: Right to left	●	●	●	
+						
d Pressure unit	Nil	Name plate and caution plate for bowl in imperial units: MPa	●	●	●	
	Z Note 9)	Name plate and caution plate for bowl in imperial units: psi, °F	○ Note 10)	○ Note 10)	○ Note 10)	

Note 1) Drain guide is NPT1/8 (applicable to the AF20-A) and NPT1/4 (applicable to the AF30-A to AF40-06-A).

The auto drain port comes with ø3/8" One-touch fitting (applicable to the AF30-A to AF40-06-A).

Note 2) Drain guide is G1/8 (applicable to the AF20-A) and G1/4 (applicable to the AF30-A to AF40-06-A).

Note 3) Option B is not assembled and supplied loose at the time of shipment. Assembly of a bracket and 2 mounting screws.

Note 4) Refer to Chemical data on page 46 for chemical resistance of the bowl.

Note 5) A bowl guard is provided as standard equipment (polycarbonate).

Note 6) A bowl guard is provided as standard equipment (nylon).

Note 7) Without a valve function

Note 8) The combination of metal bowl: 2 and 8 is not available.

Note 9) For pipe thread type: NPT. This product is for overseas use only according to the new Measurement Law. (The SI unit type is provided for use in Japan.)

Note 10) ○: For pipe thread type: NPT only

Air Filter/AF20-A to AF40-06-A

Made to Order



Please contact SMC for detailed dimensions, specifications and lead times.

② With Element Service Indicator

Clogging status of elements can be checked visually.

Applicable Model

Model	AF20-A	AF30-A	AF40-A	AF40-06-A
Port size	1/8, 1/4	1/4, 3/8	1/4, 3/8, 1/2	3/4

AF **30** - **03** - **03** - **A** - **X2141**

① ② ③ ④ ⑤

- Option/Semi-standard: Select one each for a to f.
- Option/Semi-standard symbol: When more than one specification is required, indicate in alphanumeric order.
Example) AF30-03BD-2R-A-X2141

• With element service indicator

A special body type is required to mount the element service indicator. It cannot be mounted on a standard body.

		Symbol	Description	① Body size			
				20	30	40	
②	Pipe thread type	Nil	Rc	●	●	●	
		N ^{Note 1)}	NPT	●	●	●	
		F ^{Note 2)}	G	●	●	●	
+							
③	Port size	01	1/8	●	—	—	
		02	1/4	●	●	●	
		03	3/8	—	●	●	
		04	1/2	—	—	●	
		06	3/4	—	—	●	
+							
④ Option	a	Mounting	Nil	Without mounting option	●	●	●
			B ^{Note 3)}	With bracket	●	●	●
	b	Float type auto drain	Nil	Without auto drain	●	●	●
			C ^{Note 4)}	N.C. (Normally closed) Drain port is closed when pressure is not applied.	●	●	●
D ^{Note 5)}	N.O. (Normally open) Drainport is open when pressure is not applied.	—	●	●			
+							
⑤ Semi-standard	c	Bowl ^{Note 6)}	Nil	Polycarbonate bowl	●	●	●
			2	Metal bowl	●	●	●
			6	Nylon bowl	●	●	●
			8	Metal bowl with level gauge	—	●	●
			C	With bowl guard	●	— ^{Note 7)}	— ^{Note 7)}
			6C	With bowl guard (Nylon bowl)	●	— ^{Note 8)}	— ^{Note 8)}
	+						
	d	Drain port ^{Note 9)}	J ^{Note 10)}	Drain guide 1/8	●	—	—
			W ^{Note 11)}	Drain guide 1/4	—	●	●
			W ^{Note 11)}	Drain cock with barb fitting (for ø6 x ø4 nylon tube)	—	●	●
+							
e	Flow direction	Nil	Flow direction: Left to right	●	●	●	
		R	Flow direction: Right to left	●	●	●	
+							
f	Pressure unit	Nil	Name plate and caution plate for bowl in imperial units: MPa	●	●	●	
		Z ^{Note 12)}	Name plate and caution plate for bowl in imperial units: psi, °F	○ ^{Note 13)}	○ ^{Note 13)}	○ ^{Note 13)}	

Note 1) Drain guide is NPT1/8 (applicable to the AF20-A) and NPT1/4 (applicable to the AF30-A to AF40-06-A).

The auto drain port comes with ø3/8" One-touch fitting (applicable to the AF30-A to AF40-06-A).

Note 2) Drain guide is G1/8 (applicable to the AF20-A) and G1/4 (applicable to the AF30-A to AF40-06-A).

Note 3) Option B is not assembled and supplied loose at the time of shipment. Assembly of a bracket and 2 mounting screws.

Note 4) When pressure is not applied, condensate which does not start the auto drain mechanism will be left in the bowl.

Releasing the residual condensate before ending operations for the day is recommended.

Note 5) If the compressor is small (0.75 kW, discharge flow is less than 3.5 scfm (100 L/min [ANR])), air leakage from the drain cock may occur during start of operations. N.C. type is recommended.

Note 6) Refer to Chemical data on page 46 for chemical resistance of the bowl.

Note 7) A bowl guard is provided as standard equipment (polycarbonate).

Note 8) A bowl guard is provided as standard equipment (nylon).

Note 9) The combination of float type auto drain: C and D is not available.

Note 10) Without a valve function

Note 11) The combination of metal bowl: 2 and 8 is not available.

Note 12) For pipe thread type: NPT. This product is for overseas use only according to the new Measurement Law. (The SI unit type is provided for use in Japan.)

Note 13) ○: For pipe thread type: NPT only

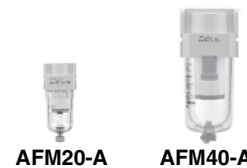
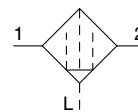
Mist Separator

AFM20-A to AFM40-A

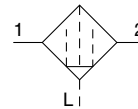
Micro Mist Separator

AFD20-A to AFD40-A

Symbol
Mist Separator

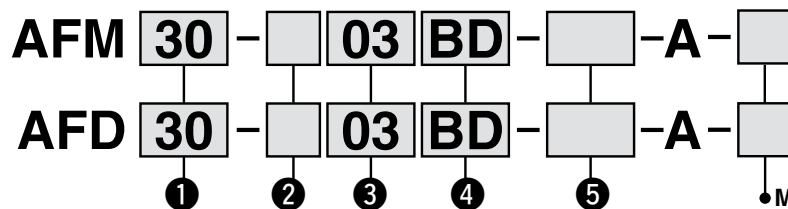


Symbol
Micro Mist Separator



- Series AFM Nominal filtration rating: 0.3 μm
- Series AFD Nominal filtration rating: 0.01 μm

How to Order



- Option/Semi-standard: Select one each for a to f.
- Option/Semi-standard symbol: When more than one specification is required, indicate in alphanumeric order. Example) AFM30-03BD-R-A

• Made to Order (Refer to pages 59 and 60 for details.)

		Symbol	Description	①			
				Body size			
				20	30	40	
②	Pipe thread type	Nil	Rc	●	●	●	
		N ^{Note 1)}	NPT	●	●	●	
		F ^{Note 2)}	G	●	●	●	
+							
③	Port size	01	1/8	●	—	—	
		02	1/4	●	●	●	
		03	3/8	—	●	●	
		04	1/2	—	—	●	
		06	3/4	—	—	●	
+							
④	a	Mounting	Nil	Without mounting option	●	●	●
			B ^{Note 3)}	With bracket	●	●	●
	+						
	b	Float type auto drain	Nil	Without auto drain	●	●	●
C ^{Note 4)}			N.C. (Normally closed) Drain port is closed when pressure is not applied.	●	●	●	
D ^{Note 5)}			N.O. (Normally open) Drain port is open when pressure is not applied.	—	●	●	
+							
⑤	c	Bowl ^{Note 6)}	Nil	Polycarbonate bowl	●	●	●
			2	Metal bowl	●	●	●
			6	Nylon bowl	●	●	●
			8	Metal bowl with level gauge	—	●	●
			C	With bowl guard	●	— ^{Note 7)}	— ^{Note 7)}
			6C	With bowl guard (Nylon bowl)	●	— ^{Note 8)}	— ^{Note 8)}
	+						
	d	Drain port ^{Note 12)}	Nil	With drain cock	●	●	●
			J ^{Note 9)}	Drain guide 1/8	●	—	—
			W ^{Note 13)}	Drain guide 1/4	—	●	●
+							
e	Flow direction	Nil	Flow direction: Left to right	●	●	●	
		R	Flow direction: Right to left	●	●	●	
+							
f	Pressure unit	Nil	Name plate and caution plate for bowl in imperial units: MPa	●	●	●	
		Z ^{Note 10)}	Name plate and caution plate for bowl in imperial units: psi, °F	○ ^{Note 11)}	○ ^{Note 11)}	○ ^{Note 11)}	

Note 1) Drain guide is NPT1/8 (applicable to the AFM20-A, AFD20-A) and NPT1/4 (applicable to the AFM30-A/40-A, AFD30-A/40-A).

The auto drain port comes with ø3/8" One-touch fitting (applicable to the AFM30-A/40-A, AFD30-A/40-A).

Note 2) Drain guide is G1/8 (applicable to the AFM20-A, AFD20-A) and G1/4 (applicable to the AFM30-A/40-A, AFD30-A/40-A).

Note 3) A bracket is not assembled and supplied loose at the time of shipment. Including 2 mounting screws

Note 4) When pressure is not applied, condensate which does not start the auto drain mechanism will be left in the bowl.

Releasing the residual condensate before ending operations for the day is recommended.

Note 5) If the compressor is small (0.75 kW,

discharge flow is less than 100 L/min [ANR]), air leakage from the drain cock may occur during start of operations. N.C. type is recommended.

Note 6) Refer to Chemical data on page 56 for chemical resistance of the bowl.

Note 7) A bowl guard is provided as standard equipment (polycarbonate).

Note 8) A bowl guard is provided as standard equipment (nylon).

Note 9) Without a valve function

Note 10) For pipe thread type: NPT. This product is for overseas use only according to the new Measurement Law. (The SI unit type is provided for use in Japan.)

Note 11) v: For pipe thread type: NPT only

Note 12) The combination of float type auto drain: C and D is not available.

Note 13) The combination of metal bowl: 2 and 8 is not available.

Mist Separator Series AFM20-A to AFM40-A Micro Mist Separator Series AFD20-A to AFD40-A

Standard Specifications

Model		AFM20-A AFD20-A	AFM30-A AFD30-A	AFM40-A AFD40-A	AFM40-06-A AFD40-06-A
Port size		1/8, 1/4	1/4, 3/8	1/4, 3/8, 1/2	3/4
Fluid		Air			
Ambient and fluid temperature		23 to 140°F (– 5 to 60°C) (with no freezing)			
Proof pressure		218 psi (1.5 MPa)			
Maximum operating pressure		145 psi (1.0 MPa)			
Minimum operating pressure		7.3 psi (0.05 MPa)			
Nominal filtration rating	AFM20-A to AFM40-06-A	0.3 μm (99.9% filtered particle size)			
	AFD20-A to AFD40-06-A	0.01 μm (99.9% filtered particle size)			
Outlet side oil mist concentration	AFM20-A to AFM40-06-A	MAX 1.0 mg/m ³ (ANR) (≈ 0.8 ppm) ^{Note 2) Note 3)}			
	AFD20-A to AFD40-06-A	MAX 0.1 mg/m ³ (ANR) (Before saturated with oil 0.01 mg/m ³ (ANR) or less ≈ 0.008 ppm) ^{Note 2) Note 3)}			
Rated flow scfm (L/min (ANR))	AFM20-A to AFM40-06-A	7.1 (200)	16 (450)	39 (1100)	
	AFD20-A to AFD40-06-A	4.2 (120)	8.5 (240)	21 (600)	
Drain capacity (cm ³)		8	25	45	
Bowl material		Polycarbonate			
Bowl guard		Semi-standard (Steel)		Standard (Polycarbonate)	
Weight (kg)		0.09	0.19	0.38	0.43

Note 1) Conditions: Inlet pressure: 102 psi (0.7MPa); The rated flow varies depending on the inlet pressure.

Keep the air flow within the rated flow to prevent an outflow of lubricant to the outlet side.

Note 2) When the compressor oil mist discharge concentration is 30 mg/m³ (ANR).

Note 3) Bowl seal and other O-rings are slightly lubricated.

Options/Part No.

Optional specifications	Model			
	AFM20-A AFD20-A	AFM30-A AFD30-A	AFM40-A AFD40-A	AFM40-06-A AFD40-06-A
Bracket assembly ^{Note 1)}	AF22P-050AS	AF32P-050AS	AF42P-050AS	AF42P-070AS
Float type auto drain ^{Note 2) Note 3)}	N.C.	AD27-A	AD37-A	AD47-A
	N.O.	—	AD38-A	AD48-A

Note 1) Assembly of a bracket and 2 mounting screws

Note 2) Minimum operating pressure: N.O. type—15 psi (0.1 MPa); N.C. type—15 psi (0.1 MPa) (AD27-A) and 22 psi (0.15 MPa) (AD37-A/AD47-A).

Please consult with SMC separately for psi and °F unit display specifications.

Note 3) Please consult with SMC for details on drain piping to fit NPT or G port sizes.

Bowl Assembly/Part No.

Bowl material	Drain discharge mechanism	Drain port	Other	Model			
				AFM20-A AFD20-A	AFM30-A AFD30-A	AFM40-A AFD40-A	AFM40-06-A AFD40-06-A
Polycarbonate bowl	Manual discharge	With drain cock	—	C2SF-A	—	—	
		With bowl guard	—	C2SF-C-A	C3SF-A	C4SF-A	
		Drain cock with barb fitting	With bowl guard	—	C3SF-W-A	C4SF-W-A	
		With drain guide (without valve function)	—	C2SF□-J-A	—	—	
	Automatic ^{Note)} discharge (Auto drain)	Normally closed (N.C.)	—	AD27-A	—	—	
		With bowl guard	—	AD27-C-A	AD37□-A	AD47□-A	
Nylon bowl	Manual discharge	Normally open (N.O.)	With bowl guard	—	AD38□-A	AD48□-A	
		With drain cock	—	C2SF-6-A	—	—	
		With bowl guard	—	C2SF-6C-A	C3SF-6-A	C4SF-6-A	
		Drain cock with barb fitting	With bowl guard	—	C3SF-6W-A	C4SF-6W-A	
	Automatic ^{Note)} discharge (Auto drain)	Normally closed (N.C.)	—	AD27-6-A	—	—	
		With bowl guard	—	AD27-6C-A	AD37□-6-A	AD47□-6-A	
Metal bowl	Manual discharge	Normally open (N.O.)	With bowl guard	—	AD38□-6-A	AD48□-6-A	
		With drain cock	—	C2SF-2-A	C3SF-2-A	C4SF-2-A	
		With level gauge	—	C3LF-8-A	C4LF-8-A		
		With drain guide (without valve function)	—	C2SF□-2J-A	C3SF□-2J-A	C4SF□-2J-A	
	Automatic ^{Note)} discharge (Auto drain)	Normally closed (N.C.)	—	AD27-2-A	AD37□-2-A	AD47□-2-A	
		With level gauge	—	AD37□-8-A	AD47□-8-A		
Automatic ^{Note)} discharge (Auto drain)	Normally open (N.O.)	—	AD38□-2-A	AD48□-2-A			
	With level gauge	—	AD38□-8-A	AD48□-8-A			

Note) Minimum operating pressure: N.O. type—15 psi (0.1 MPa) (AD38-A, AD48-A); N.C. type—15 psi (0.1 MPa) (AD17-A, AD27-A) and 22 psi (0.15 MPa) (AD37-A, AD47-A).

Bowl assembly for the AFM20-A to AFM40-06-A, AFD20-A to AFD40-06-A models comes with a bowl seal.

□ in bowl assembly part numbers indicates a pipe thread type (applicable tubing for auto drain). No indication is necessary for Rc thread; however, indicate N for NPT thread, and F for G thread. (For auto drain, Nil: ø10, N: ø3/8")

Please consult with SMC separately for psi and °F unit display specifications.



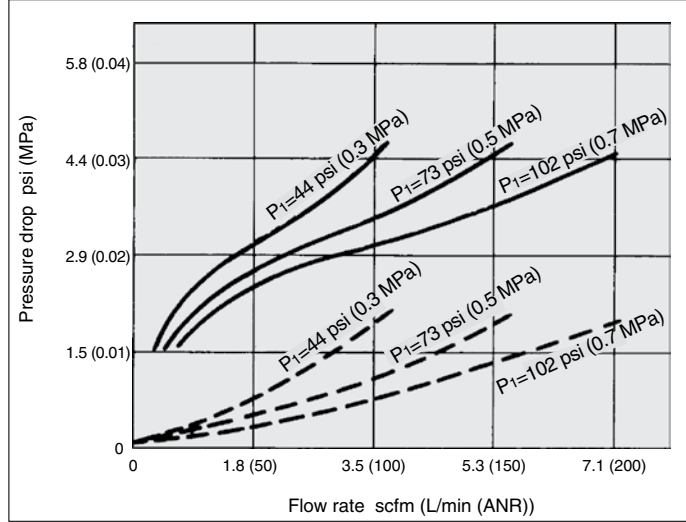
AC
AF+AR+AL
AW+AL
AF+AR
AF+AFM+AR
AW+AFM
Attachment
AF
AFM/AFD
AR
AL
AW

Series AFM20-A to AFM40-A
Series AFD20-A to AFD40-A

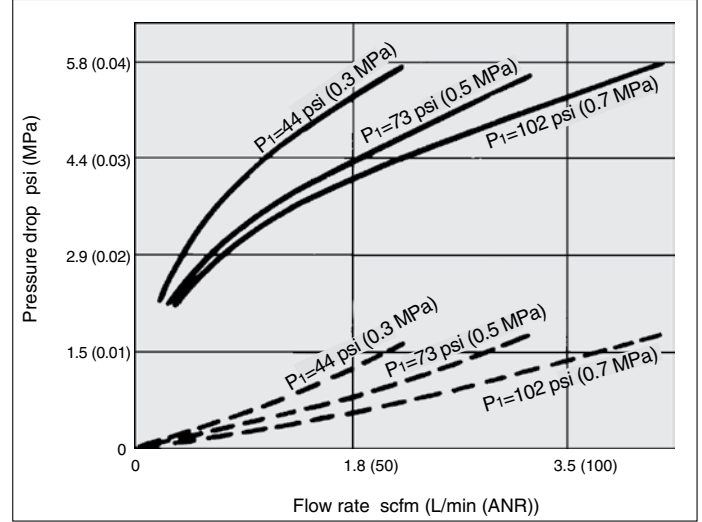
Flow-rate Characteristics (Representative values)

— When saturated with oil
 - - - Initial state

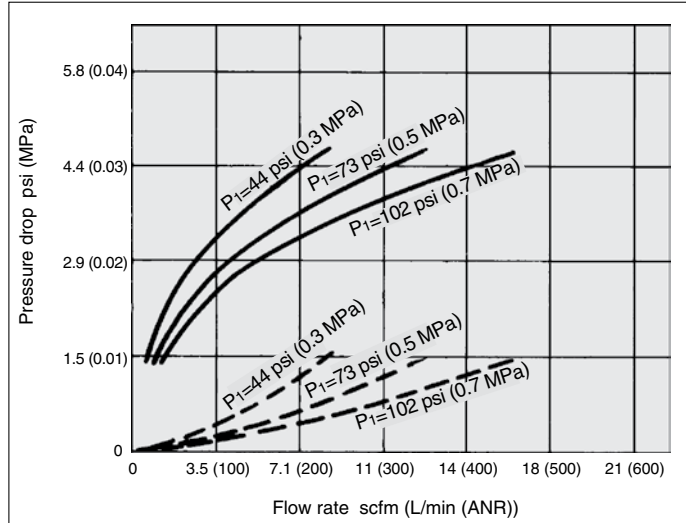
AFM20-A



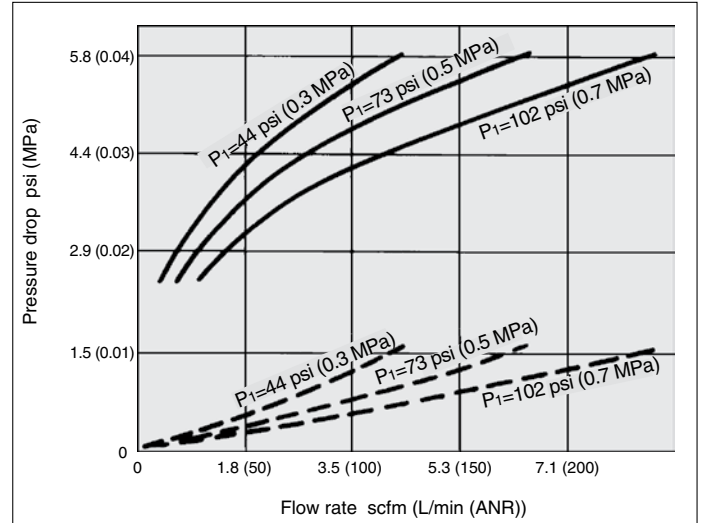
AFD20-A



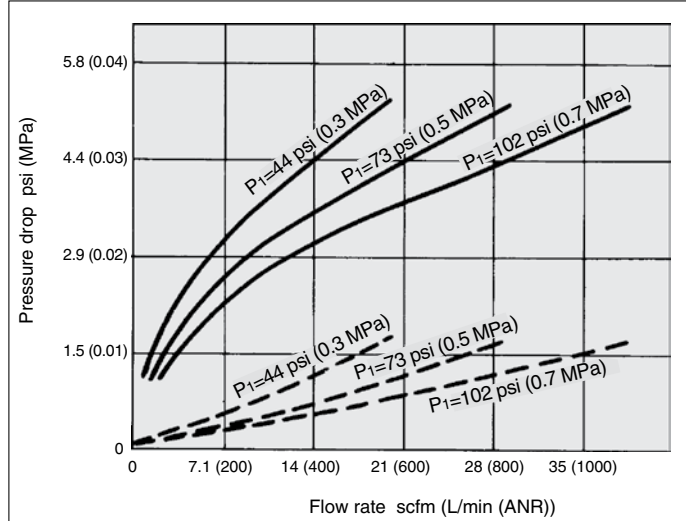
AFM30-A



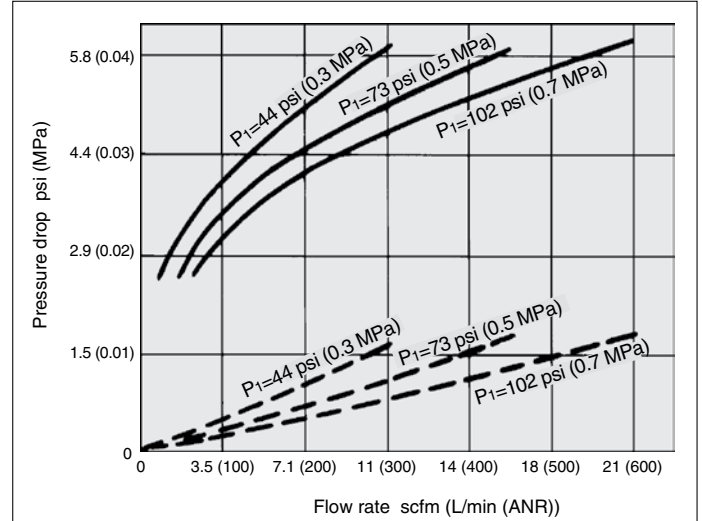
AFD30-A



AFM40-A



AFD40-A



⚠ Specific Product Precautions

Be sure to read this before handling. Refer to the back cover for Safety Instructions, "Handling Precautions for SMC Products" and the Operation Manual for F.R.L. Precautions, <http://www.smcworld.com>

Design/Selection

⚠ Warning

- The standard bowl for the air filter, filter regulator, and lubricator, as well as the sight dome for the lubricator are made of polycarbonate. Do not use in an environment where they are exposed to or come in contact with organic solvents, chemicals, cutting oil, synthetic oil, alkali, and thread lock solutions.

Effects of atmosphere of organic solvents and chemicals, and where these elements are likely to adhere to the equipment.
Chemical data for substances causing degradation (Reference)

Type	Chemical name	Application examples	Material	
			Polycarbonate	Nylon
Acid	Hydrochloric acid Sulfuric acid, Phosphoric acid Chromic acid	Acid washing liquid for metals	△	×
Alkaline	Sodium hydroxide (Caustic soda) Potash Calcium hydroxide (Slack lime) Ammonia water Carbonate of soda	Degreasing of metals Industrial salts Water-soluble cutting oil	×	○
Inorganic salts	Sodium sulfide Sulfate of potash Sulfate of soda	—	×	△
Chlorine solvents	Carbon tetrachloride Chloroform Ethylene chloride Methylene chloride	Cleansing liquid for metals Printing ink Dilution	×	△
Aromatic series	Benzene Toluene Paint thinner	Coatings Dry cleaning	×	△
Ketone	Acetone Methyl ethyl ketone Cyclohexane	Photographic film Dry cleaning Textile industries	×	×
Alcohol	Ethyl alcohol IPA Methyl alcohol	Antifreeze Adhesives	△	×
Oil	Gasoline Kerosene	—	×	○
Ester	Phthalic acid dimethyl Phthalic acid diethyl Acetic acid	Synthetic oil Anti-rust additives	×	○
Ether	Methyl ether Ethyl ether	Brake oil additives	×	○
Amino	Methyl amino	Cutting oil Brake oil additives Rubber accelerator	×	×
Others	Thread-lock fluid Seawater Leak tester	—	×	△

○: Essentially safe △: Some effects may occur. ×: Effects will occur.

When the above factors are present, or there is some doubt, use a metal bowl for safety.

Air Supply

⚠ Caution

- Install an air filter (Series AF) as a pre-filter on the inlet side of the mist separator to prevent premature clogging.
- Install a mist separator (Series AFM) as a pre-filter on the inlet side of the micro mist separator to prevent premature clogging.
- Do not install on the inlet side of the dryer as this can cause premature clogging of the element.

Maintenance

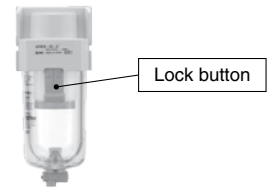
⚠ Warning

- Replace the element every 2 years or when the pressure drop becomes 0.1 MPa, whichever comes first, to prevent damage to the element.

Mounting/Adjustment

⚠ Caution

- When the bowl is installed on the mist separator (AFM30-A/AFM40-A), or micro mist separator (AFD30-A/AFD40-A), install them so that the lock button lines up to the groove of the front (or the back) of the body to avoid drop or damage of the bowl.



Design

⚠ Caution

- Design the system so that the mist separator is installed in a pulsation-free location. The difference between internal and external pressure inside the element should be kept within 0.1 MPa, as exceeding this value could cause damage.

Selection

⚠ Caution

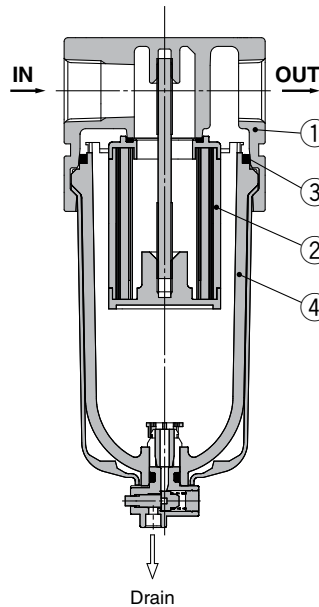
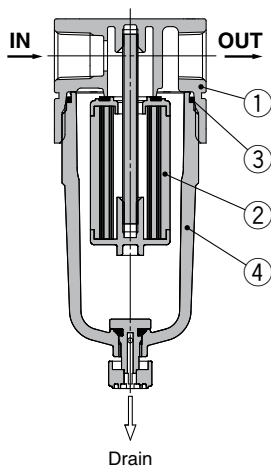
- Do not allow air flow that exceeds the rated flow. If the air flow is allowed outside the range of the rated flow even momentarily, drainage and lubricant may splash at the outlet side or cause damage to the component.
- Do not use in a low pressure application (such as a blower). An F.R.L. unit has its own minimum operating pressure depending on the equipment and is designed specifically to function with compressed air. If used below the minimum operating pressure, a loss of performance and malfunction can occur. Please contact SMC if an application under such conditions cannot be avoided.

Series **AFM20-A to AFM40-A**
 Series **AFD20-A to AFD40-A**

Construction

AFM20-A
AFD20-A

AFM30-A to AFM40-06-A
AFD30-A to AFD40-06-A



Component Parts

No.	Description	Material	Model	Color
1	Body	Aluminum die-cast	AFM20-A to AFM40-06-A AFD20-A to AFD40-06-A	White

Replacement Parts

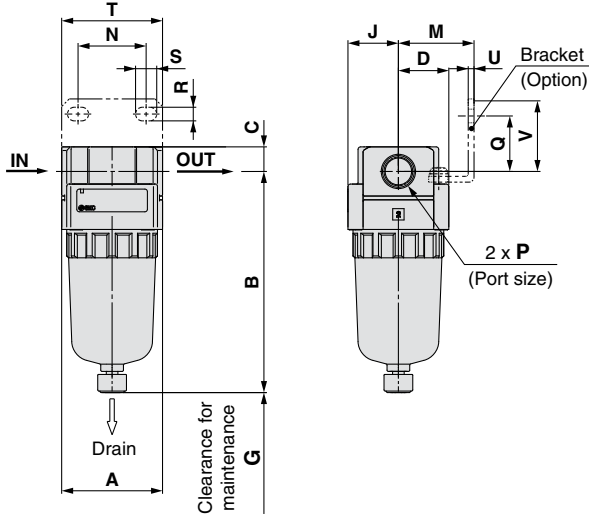
No.	Description	Material	Part no.			
			AFM20-A AFD20-A	AFM30-A AFD30-A	AFM40-A AFD40-A	AFM40-06-A AFD40-06-A
2	Element assembly	AFM20 to 40	—	AFM20P-060AS	AFM30P-060AS	AFM40P-060AS
		AFD20 to 40	—	AFD20P-060AS	AFD30P-060AS	AFD40P-060AS
3	Bowl seal	NBR	C2SFP-260S	C32FP-260S	C42FP-260S	
4	Bowl assembly ^{Note)}	Polycarbonate	C2SF-A	C3SF-A	C4SF-A	

Note) Bowl seal is included. Please contact SMC regarding the supply of bowl assembly with psi and °F unit display specifications.

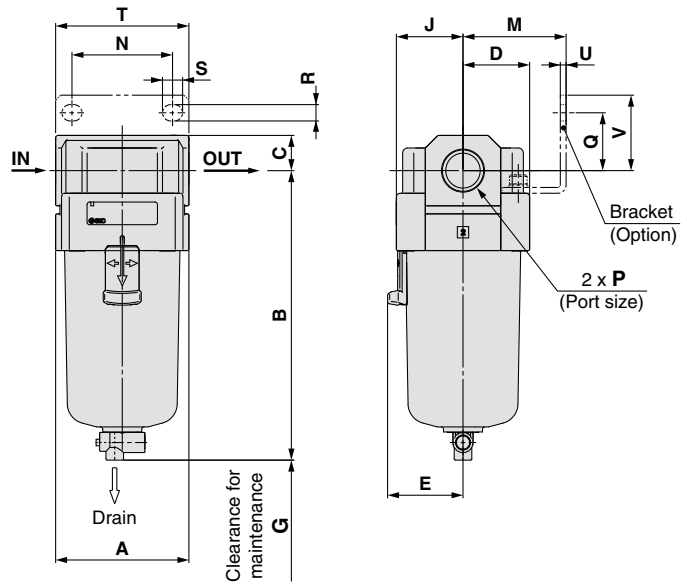
Mist Separator **Series AFM20-A to AFM40-A**
 Micro Mist Separator **Series AFD20-A to AFD40-A**

Dimensions

**AFM20-A
AFD20-A**



**AFM30-A to AFM40-06-A
AFD30-A to AFD40-06-A**



Applicable model	AFM20-A/AFD20-A				AFM30-A to AFM40-06-A/AFD30-A to AFD40-06-A	
Optional/ Semi-standard specifications	With auto drain (N.C.)	With drain guide	Metal bowl	Metal bowl with drain guide	With auto drain (N.O./N.C.)	
Dimensions					<p>N.O.: Black N.C.: Gray</p> <p>Thread type/Rc, G: ø10 One-touch fitting Thread type/NPT: ø3/8" One-touch fitting</p>	

Applicable model	AFM30-A to AFM40-06-A/AFD30-A to AFD40-06-A					
Optional/ Semi-standard specifications	Metal bowl	Metal bowl with drain guide	Metal bowl with level gauge	Metal bowl with level gauge, with drain guide	With drain guide	Drain cock with barb fitting
Dimensions						<p>Barb fitting applicable tubing: T0604</p>

Model	Standard specifications								Optional specifications								
	P	A	B	C	D	E	G	J	Bracket mount								With auto drain
									M	N	Q	R	S	T	U	V	B
AFM20-A/AFD20-A	1/8, 1/4	40	87.6	9.8	20	—	40	20	30	27	22	5.4	8.4	40	2.3	28	104.9
AFM30-A/AFD30-A	1/4, 3/8	53	115.1	14	26.7	30	50	26.7	41	40	23	6.5	8	53	2.3	30	156.8
AFM40-A/AFD40-A	1/4, 3/8, 1/2	70	147.1	18	35.5	38.4	75	35.5	50	54	26	8.5	10.5	70	2.3	35	186.9
AFM40-06-A/AFD40-06-A	3/4	75	149.1	20	35.5	38.4	75	35.5	50	54	25	8.5	10.5	70	2.3	34	188.9

Model	Semi-standard specifications					
	With barb fitting	With drain guide	Metal bowl	Metal bowl with drain guide	Metal bowl with level gauge	Metal bowl with level gauge, with drain guide
	B	B	B	B	B	B
AFM20-A/AFD20-A	—	91.4	87.4	93.9	—	—
AFM30-A/AFD30-A	123.6	121.9	117.6	122.1	137.6	142.1
AFM40-A/AFD40-A	155.6	153.9	149.6	154.1	169.6	174.1
AFM40-06-A/AFD40-06-A	157.6	155.9	151.6	156.1	171.6	176.1

AC
AF+AR+AL
AW+AL
AF+AR
AF+AFM+AR
AW+AFM
Attachment
AF
AFM / AFD
AR
AL
AW

Mist Separator/AFM20-A to AFM40-06-A Micro Mist Separator/AFD20-A to AFD40-06-A

Made to Order



Please contact SMC for detailed dimensions, specifications and lead times.

① Long Bowl

Drain capacity is greater than that of standard models.

Applicable Model/Drain Capacity

Model	AFM20-A, AFD20-A	AFM30-A, AFD30-A	AFM40-A, AFD40-A	AFM40-06-A, AFD40-06-A
Port size	1/8, 1/4	1/4, 3/8	1/4, 3/8, 1/2	3/4
Drain capacity (cm ³)	19	43		88

Note) Please consult with SMC for dimensions.

AFM **30** - **03** - **A** - **X64**

AFD **30** - **03** - **A** - **X64**

①

②

③

④

⑤

• Long bowl

- Semi-standard: Select one each for **a** to **d**.
- Option/Semi-standard symbol: When more than one specification is required, indicate in alphanumeric order.
Example) AFM30-03B-2R-A-X64

		Symbol	Description	① Body size			
				20	30	40	
②	Pipe thread type	Nil	Rc	●	●	●	
		N <small>Note 1)</small>	NPT	●	●	●	
		F <small>Note 2)</small>	G	●	●	●	
+							
③	Port size	01	1/8	●	—	—	
		02	1/4	●	●	●	
		03	3/8	—	●	●	
		04	1/2	—	—	●	
		06	3/4	—	—	●	
+							
④	Option (Mounting)	Nil	Without mounting option	●	●	●	
		B <small>Note 3)</small>	With bracket	●	●	●	
+							
⑤	a	Bowl <small>Note 4)</small>	Nil	Polycarbonate bowl	●	●	●
			2	Metal bowl	●	●	●
			6	Nylon bowl	●	●	●
			C	With bowl guard	●	— <small>Note 5)</small>	— <small>Note 5)</small>
			6C	With bowl guard (Nylon bowl)	●	— <small>Note 6)</small>	— <small>Note 6)</small>
	+						
	b	Drain port	Nil	With drain cock	●	●	●
			J <small>Note 7)</small>	Drain guide 1/8	●	—	—
			W <small>Note 8)</small>	Drain cock with barb fitting (for ø6 x ø4 nylon tube)	—	●	●
	+						
	c	Flow direction	Nil	Flow direction: Left to right	●	●	●
			R	Flow direction: Right to left	●	●	●
	+						
	d	Pressure unit	Nil	Name plate and caution plate for bowl in imperial units: MPa	●	●	●
			Z <small>Note 9)</small>	Name plate and caution plate for bowl in imperial units: psi, °F	○ <small>Note 10)</small>	○ <small>Note 10)</small>	○ <small>Note 10)</small>

Note 1) Drain guide is NPT1/8 (applicable to the AFM20-A, AFD20-A) and NPT1/4 (applicable to the AFM30-A/40-A, AFD30-A/40-A).

Note 2) Drain guide is G1/8 (applicable to the AFM20-A, AFD20-A) and G1/4 (applicable to the AFM30-A/40-A, AFD30-A/40-A).

Note 3) A bracket is not assembled and supplied loose at the time of shipment. Including 2 mounting screws.

Note 4) Refer to Chemical data on page 56 for chemical resistance of the bowl.

Note 5) A bowl guard is provided as standard equipment (polycarbonate).

Note 6) A bowl guard is provided as standard equipment (nylon).

Note 7) Without a valve function

Note 8) The combination of metal bowl: 2 is not available.

Note 9) For pipe thread type: NPT. This product is for overseas use only according to the new Measurement Law. (The SI unit type is provided for use in Japan.)

Mist Separator/AFM20-A to AFM40-06-A Micro Mist Separator/AFD20-A to AFD40-06-A Made to Order



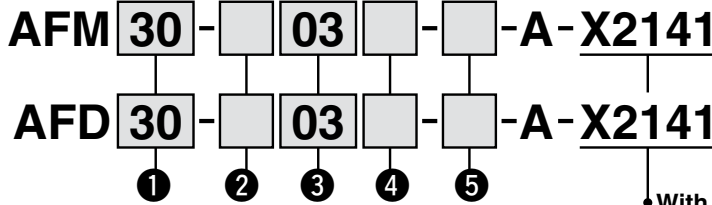
Please contact SMC for detailed dimensions, specifications and lead times.

②With Element Service Indicator

Clogging status of elements can be checked visually.

Applicable Model

Model	AFM20-A, AFD20-A	AFM30-A, AFD30-A	AFM40-A, AFD40-A	AFM40-06-A, AFD40-06-A
Port size	1/8, 1/4	1/4, 3/8	1/4, 3/8, 1/2	3/4



- Option/Semi-standard: Select one each for a to f.
- Option/Semi-standard symbol: When more than one specification is required, indicate in alphanumeric order.
Example) AFM30-03BD-2R-A-X2141

A special body type is required to mount the element service indicator. It cannot be mounted on a standard body.

	Symbol	Description	① Body size			
			20	30	40	
② Pipe thread type	Nil	Rc	●	●	●	
	N ^{Note 1)}	NPT	●	●	●	
	F ^{Note 2)}	G	●	●	●	
③ Port size	+					
	01	1/8	●	—	—	
	02	1/4	●	●	●	
	03	3/8	—	●	●	
	04	1/2	—	—	●	
④ Option	+					
	a Mounting	Nil Without mounting option	●	●	●	
	B ^{Note 3)}	With bracket	●	●	●	
	+					
b Float type auto drain	Nil	Without auto drain	●	●	●	
	C ^{Note 4)}	N.C. (Normally closed) Drain port is closed when pressure is not applied.	●	●	●	
	D ^{Note 5)}	N.O. (Normally open) Drain port is open when pressure is not applied.	—	●	●	
⑤ Semi-standard	+					
	c Bowl ^{Note 6)}	Nil	Polycarbonate bowl	●	●	●
		2	Metal bowl	●	●	●
		6	Nylon bowl	●	●	●
		8	Metal bowl with level gauge	—	●	●
		C	With bowl guard	●	— ^{Note 7)}	— ^{Note 7)}
	6C	With bowl guard (Nylon bowl)	●	— ^{Note 8)}	— ^{Note 8)}	
	+					
	d Drain port ^{Note 12)}	Nil	With drain cock	●	●	●
		J ^{Note 9)}	Drain guide 1/8	●	—	—
W ^{Note 13)}		Drain cock with barb fitting (for ø6 x ø4 nylon tube)	—	●	●	
+						
e Flow direction	Nil	Flow direction: Left to right	●	●	●	
	R	Flow direction: Right to left	●	●	●	
+						
f Pressure unit	Nil	Name plate and caution plate for bowl in imperial units: MPa	●	●	●	
	Z ^{Note 10)}	Name plate and caution plate for bowl in imperial units: psi, °F	○ ^{Note 11)}	○ ^{Note 11)}	○ ^{Note 11)}	

Note 1) Drain guide is NPT1/8 (applicable to the AFM20-A, AFD20-A) and NPT1/4 (applicable to the AFM30-A/40-A, AFD30-A/40-A).

The auto drain port comes with ø3/8" One-touch fitting (applicable to the AFM30-A/40-A, AFD30-A/40-A).

Note 2) Drain guide is G1/8 (applicable to the AFM20-A, AFD20-A) and G1/4 (applicable to the AFM30-A/40-A, AFD30-A/40-A).

Note 3) A bracket is not assembled and supplied loose at the time of shipment. Including 2 mounting screws

Note 4) When pressure is not applied, condensate which does not start the auto drain mechanism will be left in the bowl. Releasing the residual condensate before ending operations for the day is recommended.

Note 5) If the compressor is small (0.75 kW, discharge flow is less than 3.5 scfm (100 L/min [ANR])), air leakage from the drain cock may occur during start of operations. N.C. type is recommended.

Note 6) Refer to Chemical data on page 56 for chemical resistance of the bowl.

Note 7) A bowl guard is provided as standard equipment (polycarbonate).

Note 8) A bowl guard is provided as standard equipment (nylon).

Note 9) Without a valve function

Note 10) For pipe thread type: NPT. This product is for overseas use only according to the new Measurement Law. (The SI unit type is provided for use in Japan.)

Note 11) ○: For pipe thread type: NPT only

Note 12) The combination of float type auto drain: C and D is not available.

Note 13) The combination of metal bowl: 2 and 8 is not available.



AC

AF+AR+AL

AW+AL

AF+AR

AF+AFM+AR

AF+AFM+AR

AW+AFM

Attachment

AF

AFM / AFD


AR

AL

AW

Modular Type Regulator

Series AR

Regulator Series AR	Model	Port size	Set pressure	Options
 <p>P.63 to 74</p>	AR10-A	M5 x 0.8	7.3 to 102 (0.05 to 0.7 MPa) 2.9 to 29 (0.02 to 0.2 MPa)	Bracket Round type pressure gauge Set nut (for panel mount) *
	AR20(K)-B	1/8, 1/4		Bracket Set nut (for panel mount)
	AR25(K)-B	1/4, 3/8		
	AR30(K)-B			
	AR40(K)-B	1/4, 3/8, 1/2	7.3 to 123 (0.05 to 0.85 MPa) 2.9 to 29 (0.02 to 0.2 MPa)	Square embedded type pressure gauge
	AR40(K)-06-B	3/4		Digital pressure switch
	AR50(K)-B	3/4, 1		Round type pressure gauge
	AR60(K)-B	1		

* Interchangeable with existing AR series

AC

AF+AR+AL

AW+AL

AF+AR

AF+AFM+AR

AW+AFM

Attachment

AF

AFM / AFD

AR

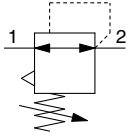
AL

AW

Regulator

AR10-A

Symbol
Regulator



AR10-A

How to Order

Refer to page 65 for size 20 to 60.

AR10-M5 - -A

- Option/Semi-standard: Select one each for a to g.
- Option/Semi-standard symbol: When more than one specification is required, indicate in alphanumeric order.
Example) AR10-M5BG-1NR-A

		Symbol	Description	
1 Option <small>Note 1)</small>	a Mounting	Nil	Without mounting option	
		B <small>Note 2)</small>	With bracket	
		H	With set nut (for panel mount)	
	+			
	b Pressure gauge	Nil	Without pressure gauge	
		G <small>Note 3)</small>	Round type pressure gauge (without limit indicator)	
+				
2 Semi-standard	c Set pressure <small>Note 4)</small>	Nil	7.3 to 102 (0.05 to 0.7 MPa) setting	
		1	2.9 to 29 (0.02 to 0.2 MPa) setting	
	+			
	d Exhaust mechanism	Nil	Relieving type	
		N	Non-relieving type	
	+			
	e Flow direction	Nil	Flow direction: Left to right	
		R	Flow direction: Right to left	
	+			
	f Knob	Nil	Downward	
		Y	Upward	
	+			
	g Pressure unit	Nil	Name plate and pressure gauge in imperial units: MPa	
		Z <small>Note 5)</small>	Name plate and pressure gauge in imperial units: psi	

Note 1) Options are not assembled and supplied loose at the time of shipment.

Note 2) Assembly of a bracket and set nuts

Note 3) A 145 psi (1.0 MPa) pressure gauge will be fitted. It is not assembled and supplied loose at the time of shipment.

Note 4) Pressure can be set higher than the specification pressure in some cases, but use pressure within the specification range.

Note 5) This product is for overseas use only according to the new Measurement Law. (The SI unit type is provided for use in Japan.)

Standard Specifications

Port size	M5 x 0.8
Pressure gauge port size ^{Note)}	1/16
Fluid	Air
Ambient and fluid temperature	23 to 140°F (-5 to 60°C) (with no freezing)
Proof pressure	218 psi (1.5 MPa)
Maximum operating pressure	145 psi (1.0 MPa)
Set pressure range	7.3 to 102 psi (0.05 to 0.7 MPa)
Construction	Relieving type
Weight (kg)	0.06

Note) Use a bushing (part no.: 131368) when connecting the R1/8 pressure gauge to the Rc1/16.

Options/Part No.

Bracket assembly ^{Note 1)}	AR12P-270AS
Set nut	AR12P-260S
Round type pressure gauge ^{Note 2)}	G27-10-R1

Note 1) Assembly of a bracket and set nuts

Note 2) 145psi (1.0 MPa) pressure gauge

⚠ Specific Product Precautions

Be sure to read this before handling. Refer to the back cover for Safety Instructions, “Handling Precautions for SMC Products” and the Operation Manual for F.R.L. Precautions, <http://www.smcworld.com>

Selection

⚠ Warning

- Although exhaust of the residual pressure to the inlet side is possible when eliminating the inlet pressure, exhaust is not possible when the set pressure is 22 psi (0.15 MPa) or less.

Maintenance

⚠ Warning

- When using the regulator between a solenoid valve and an actuator, check the pressure gauge periodically. Sudden pressure fluctuations may shorten the durability of the pressure gauge. A digital pressure gauge is recommended for such situation or as deemed necessary.

Mounting/Adjustment

⚠ Warning

- Set the regulator while verifying the displayed values of the inlet and outlet pressure gauges. Turning the regulator knob excessively can cause damage to the internal parts.
- Do not use tools on the pressure regulator knob as this may cause damage. It must be operated manually.

⚠ Caution

- Be sure to unlock the knob before adjusting the pressure and lock it after setting the pressure. Failure to follow this procedure can cause damage to the knob and the outlet pressure may fluctuate.
 - Pull the pressure regulator knob to unlock. (You can visually verify this with the “orange mark” that appears in the gap.)
 - Push the pressure regulator knob to lock. When the knob is not easily locked, turn it left and right a little and then push it (when the knob is locked, the “orange mark”, i.e., the gap will disappear).
- Pulsation will be generated when the difference between the inlet and the outlet pressure is large. In this case, reduce the pressure difference between the inlet and the outlet. Please consult with SMC if the pulsation problem is not resolved.

AC

AF+AR+AL

AW+AL

AF+AR

AF+AFM+AR

AW+AFM

Attachment

AF

AFM / AFD

AR

AL

AW

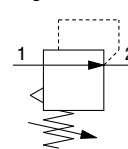
Regulator

AR20-B to AR60-B

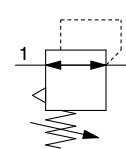
Regulator with Backflow Function

AR20K-B to AR60K-B

Symbol
Regulator

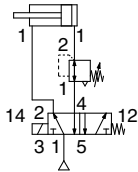


Regulator with
Backflow Function

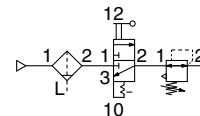


- With the backflow function it incorporates a mechanism to exhaust the air pressure in the outlet side reliably and quickly.

Example 1)
When the pressure in the rear and the front of the cylinder differs:



Example 2)
When the air supply is cut off and releasing the inlet pressure to the atmosphere, the residual pressure release of the outlet side can be ensured for a safety purpose.



How to Order

Refer to page 63 for size 10.

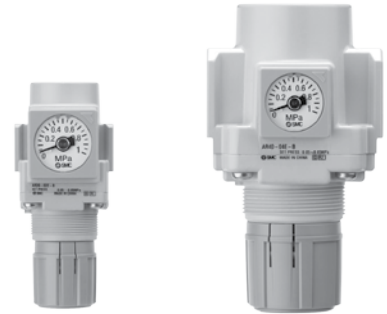
AR **30** **K** - **03** **BE** - **10** - B

① ② ③ ④ ⑤ ⑥

- Option/Semi-standard: Select one each for a to g.
- Option/Semi-standard symbol: When more than one specification is required, indicate in alphanumeric order. Example) AR30K-03BE-1NR-B

	Symbol	Description	①							
			Body size							
			20	25	30	40	50	60		
②	With backflow function	Nil	Without backflow function	●	●	●	●	●	●	
		K ^{Note 1)}	With backflow function	●	●	●	●	●	●	
+										
③	Pipe thread type	Nil	Rc	●	●	●	●	●	●	
		N	NPT	●	●	●	●	●	●	
		F	G	●	●	●	●	●	●	
+										
④	Port size	01	1/8	●	—	—	—	—	—	
		02	1/4	●	●	●	●	—	—	
		03	3/8	—	●	●	●	—	—	
		04	1/2	—	—	—	●	—	—	
		06	3/4	—	—	—	●	●	—	
		10	1	—	—	—	—	●	●	
+										
⑤ Option ^{Note 2)}	a	Mounting	Nil	Without mounting option	●	●	●	●	●	●
			B ^{Note 3)}	With bracket	●	●	●	●	●	●
			H	With set nut (for panel mount)	●	●	●	●	—	—
	+									
	b	Pressure gauge ^{Note 4)}	Nil	Without pressure gauge	●	●	●	●	●	●
			E	Square embedded type pressure gauge (with limit indicator)	●	●	●	●	●	●
			G	Round type pressure gauge (with limit indicator)	●	●	●	●	●	●
		Digital pressure switch ^{Note 5)}	M	Round type pressure gauge (with color zone)	●	●	●	●	●	●
			E1	Output: NPN output/Electrical entry: Wiring bottom entry	●	●	●	●	●	●
			E2	Output: NPN output/Electrical entry: Wiring top entry	●	●	●	●	●	●
			E3	Output: PNP output/Electrical entry: Wiring bottom entry	●	●	●	●	●	●
			E4	Output: PNP output/Electrical entry: Wiring top entry	●	●	●	●	●	●

Regulator **AR20-B to AR60-B** Regulator with Backflow Function **AR20K-B to AR60K-B**



AR20-B, AR20K-B AR40-B, AR40K-B

		Symbol	Description	①										
				Body size										
				20	25	30	40	50	60					
6	Semi-standard	c	Set pressure <small>Note 6)</small>	Nil	7.3 to 123 psi (0.05 to 0.85 MPa setting)		●	●	●	●	●	●		
			1	2.9 to 29 psi (0.02 to 0.2 MPa setting)		●	●	●	●	●	●	●		
		+												
		d	Exhaust mechanism	Nil	Relieving type		●	●	●	●	●	●	●	
				N	Non-relieving type		●	●	●	●	●	●	●	
		+												
		e	Flow direction	Nil	Flow direction: Left to right		●	●	●	●	●	●	●	
				R	Flow direction: Right to left		●	●	●	●	●	●	●	
		+												
		f	Knob	Nil	Downward		●	●	●	●	●	●	●	
				Y	Upward		●	●	●	●	●	●	●	
		+												
g	Pressure unit	Nil	Name plate and pressure gauge in imperial units: MPa		●	●	●	●	●	●	●			
		Z <small>Note 7)</small>	Name plate and pressure gauge in imperial units: psi		○ <small>Note 9)</small>	○ <small>Note 9)</small>	○ <small>Note 9)</small>	○ <small>Note 9)</small>	○ <small>Note 9)</small>	○ <small>Note 9)</small>	○ <small>Note 9)</small>			
		ZA <small>Note 8)</small>	Digital pressure switch: With unit conversion function		△ <small>Note 10)</small>	△ <small>Note 10)</small>	△ <small>Note 10)</small>	△ <small>Note 10)</small>	△ <small>Note 10)</small>	△ <small>Note 10)</small>	△ <small>Note 10)</small>			

Note 1) Set the inlet pressure to at least 7.3 psi (0.05 MPa) higher than the set pressure.
 Note 2) Option B, G, H, M are not assembled and supplied loose at the time of shipment.
 Note 3) Assembly of a bracket and set nuts (applicable to the AR20(K)-B to AR40(K)-B). Including 2 mounting screws for the AR50(K)-B and AR60(K)-B.
 Note 4) When the pressure gauge is attached, a 145 psi (1.0 MPa) pressure gauge will be fitted for standard (123 psi [0.85 MPa]) type. 58 psi (0.4 MPa) pressure gauge for 29 psi (0.2 MPa) type.
 Note 5) When choosing with H (panel mount), the installation space for lead wires will not be secured. In this case, select "wiring top entry" for the electrical entry. (Select "wiring bottom entry" when the semi-standard Y is chosen simultaneously.)
 Note 6) Pressure can be set higher than the specification pressure in some cases, but use pressure within the specification range.

Note 7) For pipe thread type: NPT.
 This product is for overseas use only according to the new Measurement Law. (The SI unit type is provided for use in Japan.)
 Cannot be used with M: Round pressure gauge (with color zone). Available by request for special.
 The digital pressure switch will be equipped with the unit conversion function, setting to psi initially.
 Note 8) For options: E1, E2, E3, E4. This product is for overseas use only according to the new Measurement Law. (The SI unit is provided for use in Japan.)
 Note 9) ○: For pipe thread type: NPT only
 Note 10) △: Select with options: E1, E2, E3, E4.

Standard Specifications

Model	AR20-B	AR25-B	AR30-B	AR40-B	AR40-06-B	AR50-B	AR60-B
Port size	1/8, 1/4	1/4, 3/8	1/4, 3/8	1/4, 3/8, 1/2	3/4	3/4, 1	1
Pressure gauge port size <small>Note 1)</small>	1/8						
Fluid	Air						
Ambient and fluid temperature <small>Note 2)</small>	23 to 140°F (-5 to 60°C) (with no freezing)						
Proof pressure	218 psi (1.5 MPa)						
Maximum operating pressure	145 psi (1.0 MPa)						
Set pressure range	7.3 to 123 psi (0.05 to 0.85 MPa)						
Construction	Relieving type						
Weight (kg)	0.16	0.21	0.29	0.44	0.47	1.17	1.22

Note 1) Pressure gauge connection threads are not available for F.R.L. unit with a square embedded type pressure gauge or with a digital pressure switch.
 Note 2) 23 to 122°F (-5 to 50°C) for the products with the digital pressure switch.

AC
 AF+AR+AL
 AW+AL
 AF+AR
 AF+AFM+AR
 AW+AFM
 Attachment
 AF
 AFM / AFD
 AR
 AL
 AW

Series AR20-B to AR60-B/series AR20K-B to AR60K-B

Options/Part No.

Option		Model	AR20(K)-B	AR25(K)-B	AR30(K)-B	AR40(K)-B	AR40(K)-06-B	AR50(K)-B	AR60(K)-B
Bracket assembly ^{Note 1)}			AR23P-270AS	AR28P-270AS	AR33P-270AS	AR43P-270AS		AR52P-270AS	
Set nut			AR23P-260S	AR28P-260S	AR33P-260S	AR43P-260S		— ^{Note 2)}	
Pressure gauge	Round type ^{Note 3)}	Standard	G36-10-□01			G46-10-□01			
		2.9 to 29 psi (0.02 to 0.2 MPa) setting	G36-4-□01			G46-4-□01			
	Round type (with color zone) ^{Note 3)}	Standard	G36-10-□01-L			G46-10-□01-L			
		2.9 to 29 psi (0.02 to 0.2 MPa) setting	G36-4-□01-L			G46-4-□01-L			
Square embedded type ^{Note 4)}	Standard	GC3-10AS [GC3P-010AS (Pressure gauge cover only)]							
	2.9 to 29 psi (0.02 to 0.2 MPa) setting	GC3-4AS [GC3P-010AS (Pressure gauge cover only)]							
Digital pressure switch ^{Note 5)}	NPN output: Wiring bottom entry		ISE35-N-25-MLA [ISE35-N-25-M (Switch body only)]						
	NPN output: Wiring top entry		ISE35-R-25-MLA [ISE35-R-25-M (Switch body only)]						
	PNP output: Wiring bottom entry		ISE35-N-65-MLA [ISE35-N-65-M (Switch body only)]						
	PNP output: Wiring top entry		ISE35-R-65-MLA [ISE35-R-65-M (Switch body only)]						

Note 1) Assembly of a bracket and set nuts. Including 2 mounting screws for the AR50(K)-B and AR60(K)-B

Note 2) Please consult with SMC regarding the set nuts for the AR50(K)-B and AR60(K)-B.

Note 3) □ in part numbers for a round pressure gauge indicates a pipe thread type. No indication is necessary for R; however, indicate N for NPT.

Please contact SMC regarding the pressure gauge supply for psi unit specifications.

Note 4) Including one O-ring and 2 mounting screws. []: Pressure gauge cover only

Note 5) In addition to the pressure switch body, lead wire with connector (2 m), adapter, lock pin, O-ring (1 pc.), mounting screw (2 pcs.) are attached.

[]: Switch body only. (Regarding how to order the digital pressure switch, refer to the WEB catalog or the Best Pneumatics No.6.)

⚠ Specific Product Precautions

Be sure to read this before handling. Refer to the back cover for Safety Instructions, “Handling Precautions for SMC Products” and the Operation Manual for F.R.L. Precautions, <http://www.smcworld.com>

Selection

⚠ Warning

- Residual pressure disposal (outlet pressure removal) is not possible for the AR 20 -B to AR 60 -B even though the inlet pressure is exhausted. When the residual pressure disposal is performed, use the regulator with a backflow function (AR20K-B to AR60K-B).

Maintenance

⚠ Warning

- When using the regulator with backflow function between a solenoid valve and an actuator, check the pressure gauge periodically. Sudden pressure fluctuations may shorten the durability of the pressure gauge. A digital pressure gauge is recommended for such situation or as deemed necessary.

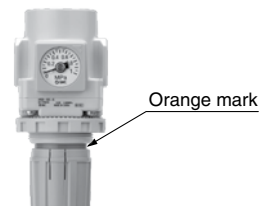
Mounting/Adjustment

⚠ Warning

- Set the regulator while verifying the displayed values of the inlet and outlet pressure gauges. Turning the regulator knob excessively can cause damage to the internal parts.
- Do not use tools on the pressure regulator knob as this may cause damage. It must be operated manually.

⚠ Caution

- Be sure to unlock the knob before adjusting the pressure and lock it after setting the pressure. Failure to follow this procedure can cause damage to the knob and the outlet pressure may fluctuate.
 - Pull the pressure regulator knob to unlock. (You can visually verify this with the “orange mark” that appears in the gap.)
 - Push the pressure regulator knob to lock. When the knob is not easily locked, turn it left and right a little and then push it (when the knob is locked, the “orange mark”, i.e., the gap will disappear).

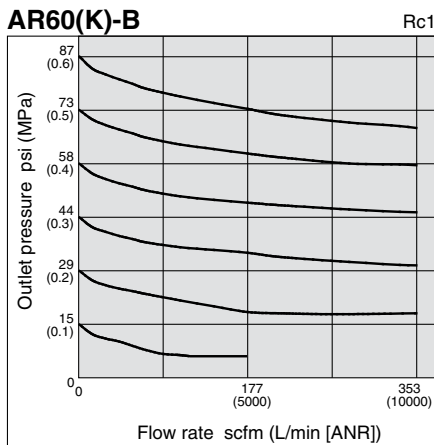
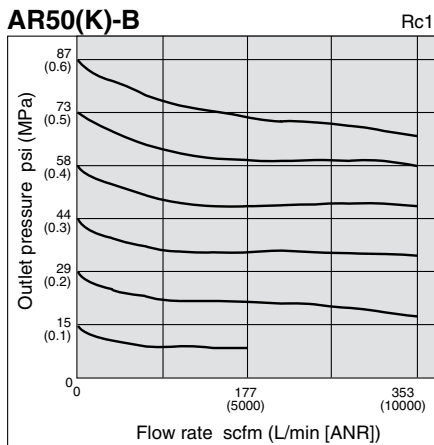
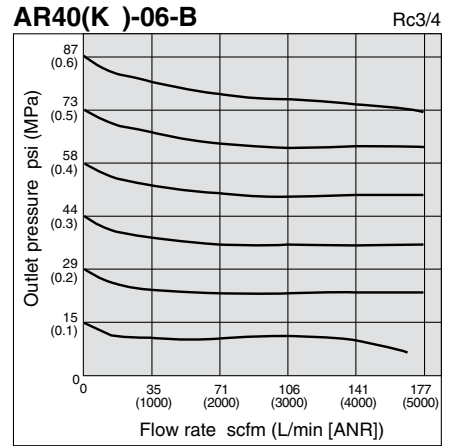
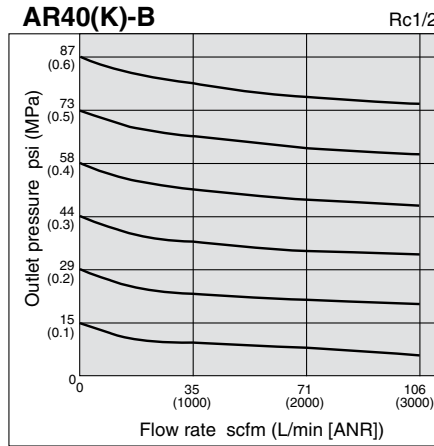
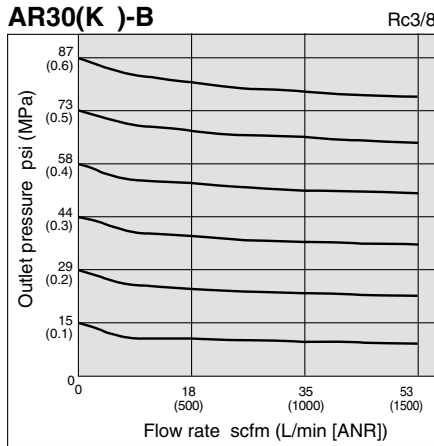
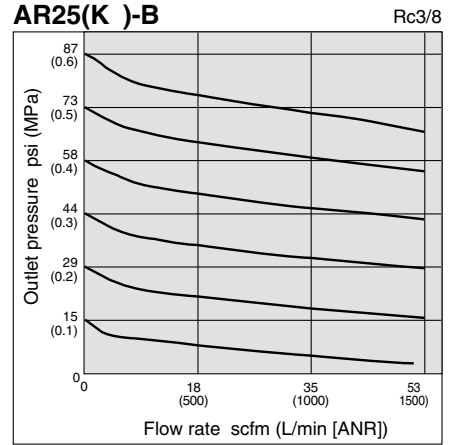
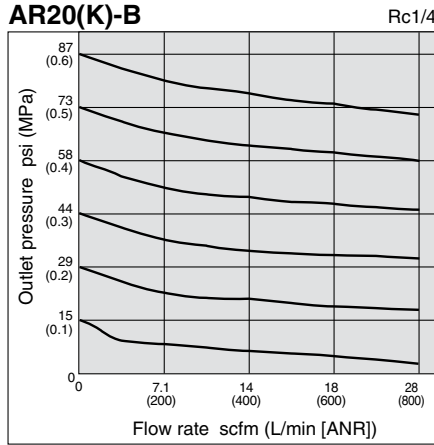
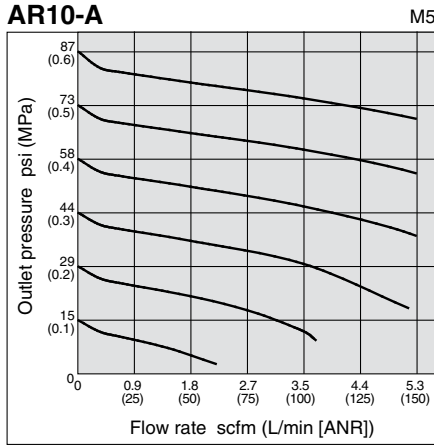


- A knob cover is available to prevent careless operation of the knob. Refer to page 97 for details.

Regulator **Series AR10-A**
 Regulator **Series AR20-B to AR60-B**
 Regulator with Backflow Function **Series AR20K-B to AR60K-B**

Flow-rate Characteristics (Representative values)

Condition: Inlet pressure 102 psi (0.7 MPa)



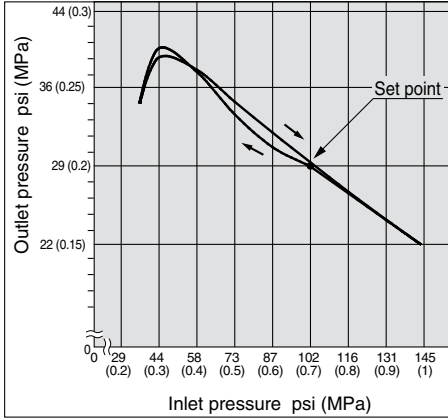
- AC
- AF+AR+AL
- AW+AL
- AF+AR
- AF+AFM+AR
- AW+AFM
- Attachment
- AF
- AFM / AFD
- AR
- AL
- AW

Series AR10-A
Series AR20-B to AR60-B
Series AR20K-B to AR60K-B

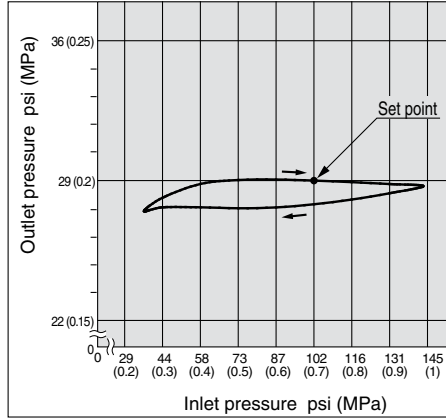
Pressure Characteristics (Representative values)

Conditions: Inlet pressure 102 psi (0.7 MPa), Outlet pressure 29 psi (0.2 MPa), Flow rate 0.7 scfm (20 L/min (ANR))

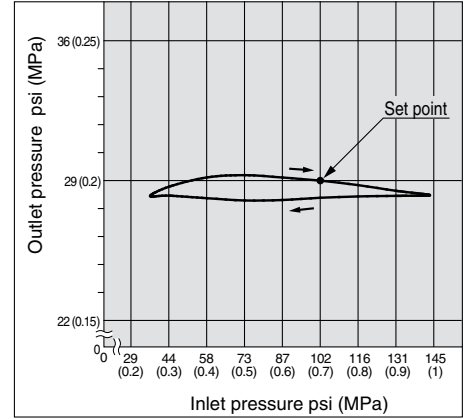
AR10-A



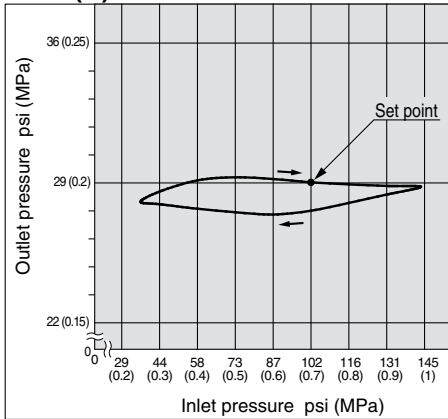
AR20(K)-B



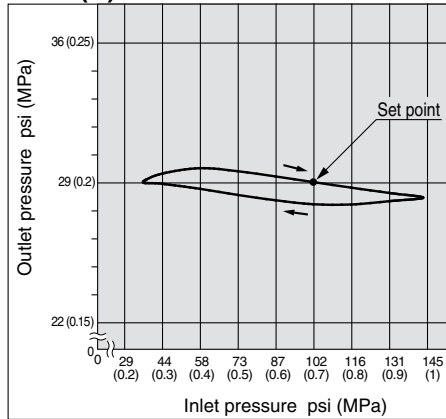
AR25(K)-B



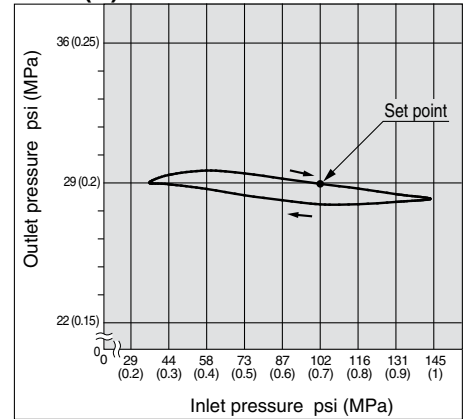
AR30(K)-B



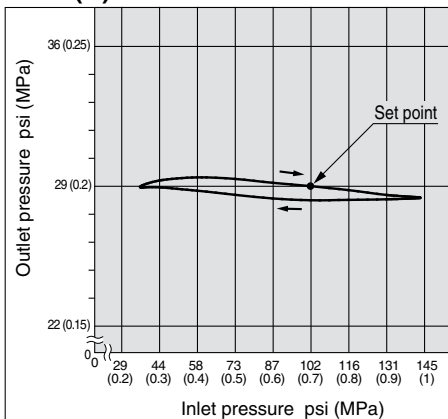
AR40(K)-B



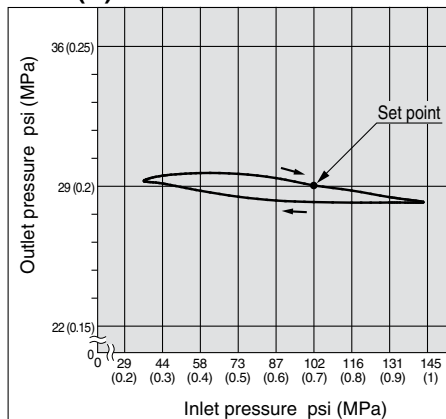
AR40(K)-06-B



AR50(K)-B



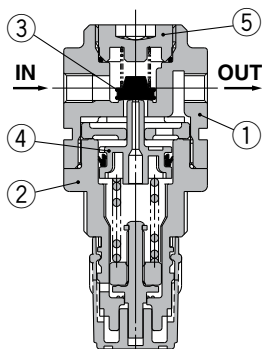
AR60(K)-B



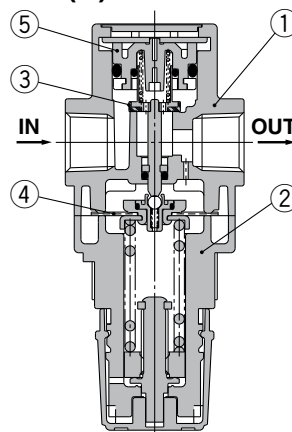
Regulator **Series AR10-A**
 Regulator **Series AR20-B to AR60-B**
 Regulator with Backflow Function **Series AR20K-B to AR60K-B**

Construction

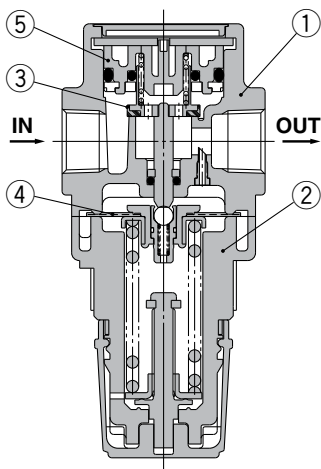
AR10-A



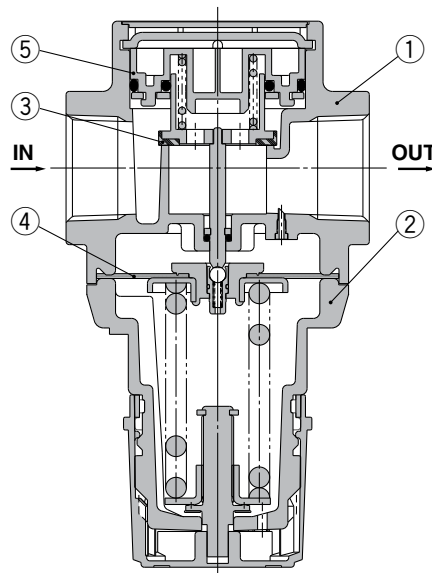
AR20(K)-B/AR25(K)-B



AR30(K)-B/AR40(K)-B



AR50(K)-B/AR60(K)-B



Component Parts

No.	Description	Material	Model	Color
1	Body	Zinc die-cast	AR10-A	White
		Aluminum die-cast	AR20(K)-B to AR60(K)-B	
2	Bonnet	Polyacetal	AR10-A	White
			AR20(K)-B to AR40(K)-B	
		Aluminum die-cast	AR50(K)-B/AR60(K)-B	

Replacement Parts

[AR10-A]

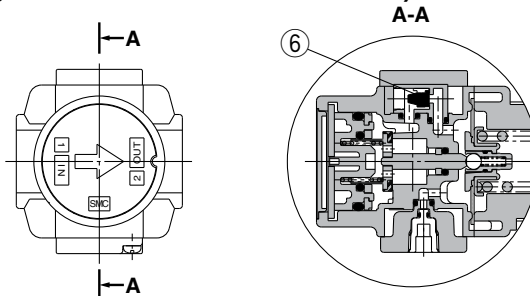
No.	Description	Material	Part no.
3	Valve	HNBR	AR10P-090S
4	Piston assembly	Polyacetal	AR10P-150AS
5	Valve guide assembly	Polyacetal	131329

[AR20(K)-B to AR60(K)-B]

No.	Description	Material	Part no.						
			AR20(K)-B	AR25(K)-B	AR30(K)-B	AR40(K)-B	AR40(K)-06-B	AR50(K)-B	AR60(K)-B
3	Valve	Brass, HNBR	AR20P-410S	AR25P-410S	AR30P-410S	AR40P-410S	AR40P-410S	AR50P-410S	AR60P-410S
4	Diaphragm assembly	Weatherable NBR	AR20P-150AS	AR20P-150AS	AR30P-150AS	AR40P-150AS			
5	Valve guide assembly	Polyacetal	AR20P-050AS	AR20P-050AS	AR30P-050AS	AR40P-050AS	AR40P-050AS	AR50P-050AS	AR60P-050AS
6	Check valve assembly ^(Note)	—	AR23KP-020AS						

Note) Check valve assembly is applicable for a regulator with backflow function (AR20K-B to AR60K-B) only.
 Assembly of a check valve cover, check valve body assembly and 2 mounting screws

AR20K-B to AR60K-B
 (Regulator with Backflow Function)



AC

AF+AR+AL

AW+AL

AF+AR

AF+AFM+AR

AW+AFM

Attachment

AF

AFM / AFD

AR

AL

AW

Series AR10-A

Series AR20K-B to AR60K-B

Working Principle (Regulator with Backflow Function)

AR10-A

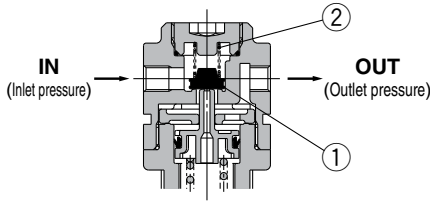


Figure 1

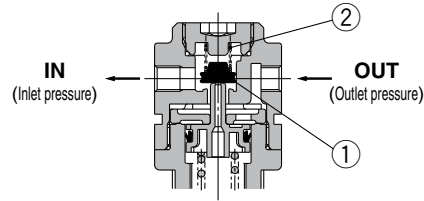


Figure 2

When the inlet pressure is higher than the regulating pressure, the check valve operates as a normal regulator (Figure 1). When the inlet pressure is shut off and exhausted, any inlet pressure applied to the valve ① will be lost. The force for seating the valve ① is the valve spring force ② only. When the valve ① is opened using the outlet force, the outlet pressure will be exhausted at the inlet side (Figure 2). When the set pressure is 22 psi (0.15 MPa) or less, the valve ① may not open due to the valve spring ② force.

AR20K-B to AR60K-B

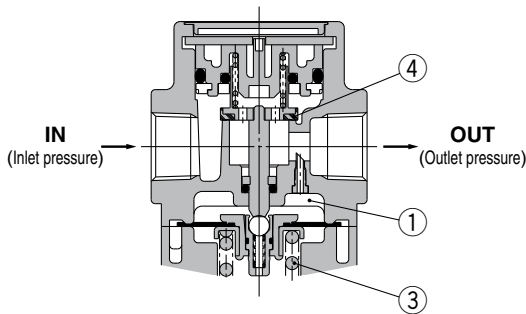
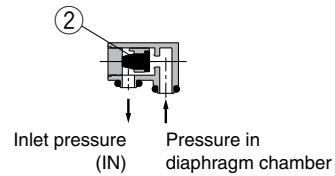
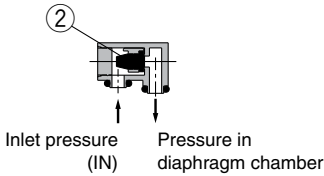
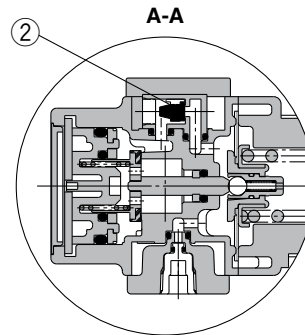
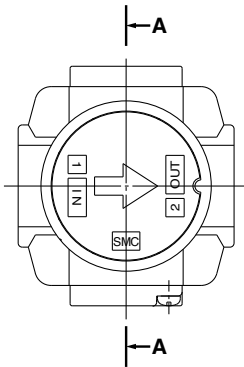


Figure 1 Normal

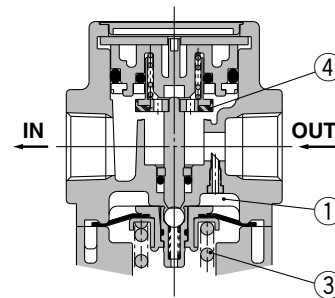


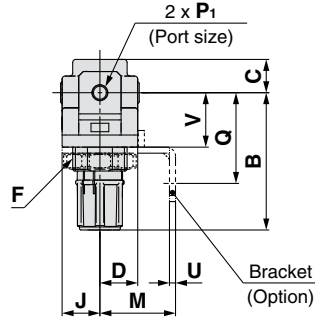
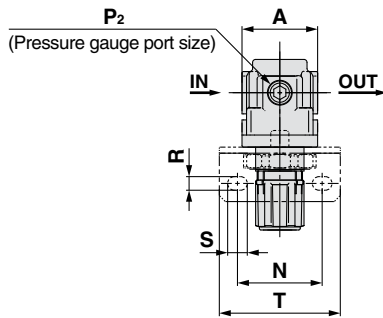
Figure 2 Backflow

When the inlet pressure is higher than the regulating pressure, the check valve ② closes and operates as a normal regulator (Figure 1). When the inlet pressure is shut off and released, the check valve ② opens and the pressure in the diaphragm chamber ① is released into the inlet side (Figure 2). This lowers the pressure in the diaphragm chamber ① and the force generated by the pressure regulator spring ③ lifts the diaphragm. The valve ④ opens through the stem, and the outlet pressure is released to the inlet side (Figure 2).

Series AR10-A
Series AR20-B to AR60-B
Series AR20K-B to AR60K-B

Dimensions

AR10-A



Panel fitting dimensions

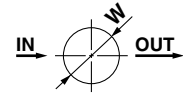
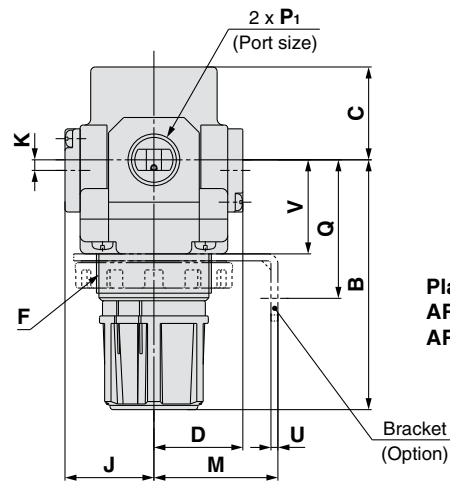
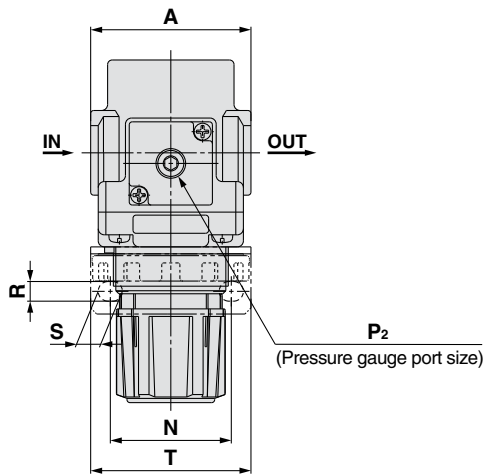


Plate thickness
 AR10-A: Max. 3.5

AR20(K)-B to AR40(K)-06-B



Panel fitting dimensions

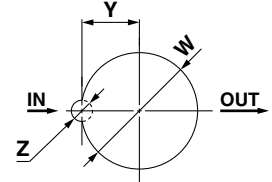
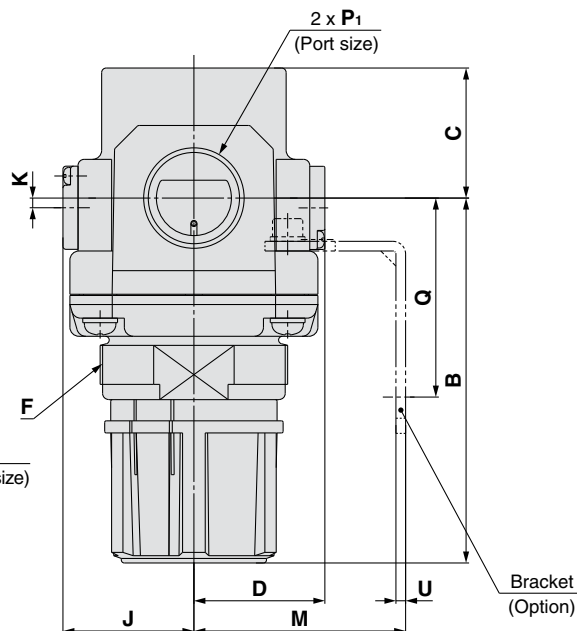
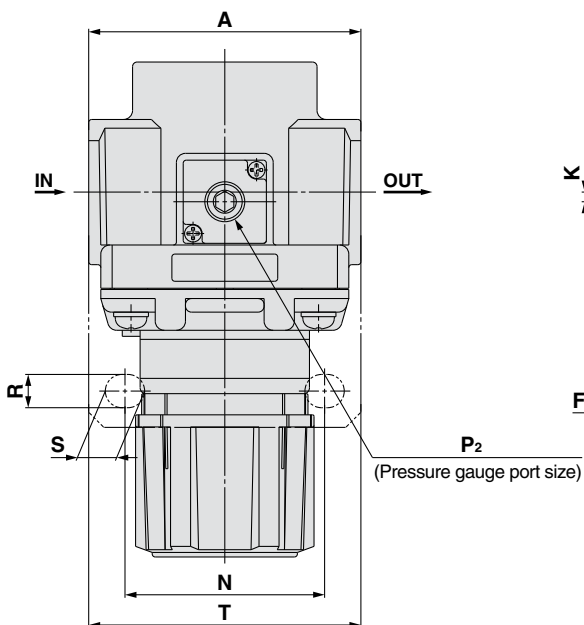
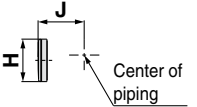
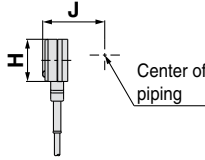
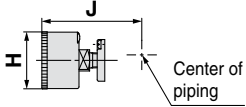


Plate thickness
 AR20(K)-B to AR30(K)-B: Max. 3.5
 AR40(K)-B : Max. 5

AR50(K)-B/AR60(K)-B



Regulator **Series AR10-A**
 Regulator **Series AR20-B to AR60-B**
 Regulator with Backflow Function **Series AR20K-B to AR60K-B**

Option	Square embedded type pressure gauge	Digital pressure switch	Round type pressure gauge	Round type pressure gauge (with color zone)
Dimensions				


Model	Standard specifications										Optional specifications							
	P1	P2	A	B <small>Note 1)</small>	C	D	F	J	K	Square type pressure gauge		Digital pressure switch		Round type pressure gauge		Round type pressure gauge (with color zone)		
										H	J	H	J	H	J	H	J	
AR10-A	M5 x 0.8	1/16	25	47.4	11	12.5	M18 x 1	12.5	—	—	—	—	—	—	—	—	—	—
AR20(K)-B	1/8, 1/4	1/8	40	67.4	26.5	28.5	M28 x 1	28.5	2 <small>Note 2)</small>	□28	29.5	□27.8	40	∅37.5	65	∅37.5	66	—
AR25(K)-B	1/4, 3/8	1/8	53	71.9	28	27.5	M32 x 1.5	27.5	0	□28	28.5	□27.8	39	∅37.5	64	∅37.5	65	—
AR30(K)-B	1/4, 3/8	1/8	53	85.6	30.7	29.4	M38 x 1.5	29.4	3.5	□28	30.4	□27.8	40.9	∅37.5	65.9	∅37.5	66.9	—
AR40(K)-B	1/4, 3/8, 1/2	1/8	70	91.7	35.8	33.8	M42 x 1.5	33.8	3.5	□28	34.8	□27.8	45.3	∅42.5	71.3	∅42.5	71.3	—
AR40(K)-06-B	3/4	1/8	75	93.2	35.8	33.8	M42 x 1.5	33.8	3	□28	34.8	□27.8	45.3	∅42.5	71.3	∅42.5	71.3	—
AR50(K)-B	3/4, 1	1/8	90	125.2	43	43.3	M62 x 1.5	43.3	3.2	□28	44.3	□27.8	54.8	∅42.5	80.8	∅42.5	80.8	—
AR60(K)-B	1	1/8	95	129.6	46	43.3	M62 x 1.5	43.3	3.2	□28	44.3	□27.8	54.8	∅42.5	80.8	∅42.5	80.8	—

Model	Optional specifications										
	Bracket mount							Panel mount			
	M	N	Q	R	S	T	U	V	W	Y	Z
AR10-A	25	28	30	4.5	6.5	40	2	18	18.5	—	—
AR20(K)-B	30	34	43.9	5.4	15.4	55	2.3	24.7	28.5	14	6
AR25(K)-B	30	34	43.9	5.4	15.4	55	2.3	25.7	32.5	16	6
AR30(K)-B	41	40	45.8	6.5	8	53	2.3	31.1	38.5	19	7
AR40(K)-B	50	54	54	8.5	10.5	70	2.3	35.5	42.5	21	7
AR40(K)-06-B	50	54	55.5	8.5	10.5	70	2.3	37	42.5	21	7
AR50(K)-B	70	66	65.8	11	13	90	3.2	—	—	—	—
AR60(K)-B	70	66	65.8	11	13	90	3.2	—	—	—	—

Note 1) The dimension of B is the length when the filter regulator knob is unlocked.
 Note 2) For the AR20 (K) -B only, the position of the pressure gauge is above the center of the piping.

AC
 AF+AR+AL
 AW+AL
 AF+AR
 AF+AFM+AR
 AW+AFM
 Attachment
 AF
 AFM / AFD
 AR
 AL
 AW

Modular Type Lubricator *Series AL*

Lubricator Series AL  P.77 to 82	Model	Port size	Option
	AL10-A	M5 x 0.8	Bracket (Except AL10-A)
	AL20-A	1/8, 1/4	
	AL30-A	1/4, 3/8	
	AL40-A	1/4, 3/8, 1/2	
	AL40-06-A	3/4	
	AL50-A	3/4, 1	
	AL60-A	1	

AC

AF+AR+AL

AW+AL

AF+AR

AF+AFM+AR

AW+AFM

Attachment

AF

AFM / AFD

AR

AL

AW

Lubricator

AL10-A to AL60-A

Symbol



How to Order

AL **30** - **03** **B** - **A**

① ② ③ ④ ⑤

• Option/Semi-standard: Select one each for a to d.
 • Option/Semi-standard symbol: When more than one specification is required, indicate in alphanumeric order.
 Example) AL30-03B-3RW-A

	Symbol	Description	①						
			Body size						
			10	20	30	40	50	60	
②	Pipe thread type	Nil	Metric thread (M5)						
		N	●	●	●	●	●	●	
		F	—	●	●	●	●	●	
			—	●	●	●	●	●	
+									
③	Port size	M5	●	—	—	—	—	—	
		01	—	●	—	—	—	—	
		02	—	●	●	—	—	—	
		03	—	—	●	●	—	—	
		04	—	—	—	●	—	—	
		06	—	—	—	●	●	—	
		10	—	—	—	—	●	●	
+									
④	Option (Mounting)	Nil	●	●	●	●	●	●	
		B ^{Note 1)}	—	●	●	●	●	●	
+									
⑤	a	Bowl ^{Note 2)}	Nil	●	●	●	●	●	●
			2	●	●	●	●	●	●
			6	●	●	●	●	●	●
			8	—	—	●	●	●	●
			C	—	●	— ^{Note 3)}	— ^{Note 3)}	— ^{Note 3)}	— ^{Note 3)}
			6C	—	●	— ^{Note 4)}	— ^{Note 4)}	— ^{Note 4)}	— ^{Note 4)}
	+								
	b	Lubricant exhaust port	Nil	●	●	●	●	●	●
			3	●	●	—	—	—	—
			3W ^{Note 5)}	—	—	●	●	●	●
+									
c	Flow direction	Nil	●	●	●	●	●	●	
		R	●	●	●	●	●	●	
+									
d	Pressure unit	Nil	●	●	●	●	●	●	
		Z ^{Note 6)}	○ ^{Note 7)}	○ ^{Note 7)}	○ ^{Note 7)}	○ ^{Note 7)}	○ ^{Note 7)}	○ ^{Note 7)}	

Note 1) Option is not assembled and supplied loose at the time of shipment.

Note 2) Refer to Chemical data on page 80 for chemical resistance of the bowl.

Note 3) A bowl guard is provided as standard equipment (polycarbonate).

Note 4) A bowl guard is provided as standard equipment (nylon).

Note 5) The combination of metal bowl: 2 and 8 is not available.

Note 6) For pipe thread type: M5, NPT. This product is for overseas use only according to the new Measurement Law. (The SI unit type is provided for use in Japan.)

Note 7) ○: For pipe thread type: M5, NPT only

Lubricator Series AL 10-A to AL60-A

Standard Specifications

Model	AL10-A	AL20-A	AL30-A	AL40-A	AL40-06-A	AL50-A	AL60-A
Port size	M5 x 0.8	1/8, 1/4	1/4, 3/8	1/4, 3/8, 1/2	3/4	3/4, 1	1
Fluid	Air						
Ambient and fluid temperature	23 to 140°F (-5 to 60°C) (with no freezing)						
Proof pressure	218 psi (1.5 MPa)						
Maximum operating pressure	145 psi (1.0 MPa)						
Minimum dripping flow rate (L/min (ANR)) ^{Note)}	4	15	1/4:30 3/8:40	1/4:30 3/8:40 1/2:50	50	190	220
Oil capacity (cm ³)	7	25	55	135			
Recommended lubricant	Class 1 turbine oil (ISO VG32)						
Bowl material	Polycarbonate						
Bowl guard	—	Semi-standard (Steel)	Standard (Polycarbonate)				
Weight (kg)	0.07	0.10	0.20	0.38	0.43	0.94	1.09

Note) · The flow rate is 5 drops or greater/min under the following conditions: Inlet pressure of 73 psi (0.5 MPa); Class 1 turbine oil (ISO VG32); Temperature at 68°F (20°C); Oil adjustment valve fully open.

· For a circuit that repeatedly turns ON and OFF on the outlet side, make the adjustment so that the average air consumption per minute becomes the minimum dripping flow rate or more.

Options/Part No.

Optional specifications	Model						
	AL10-A	AL20-A	AL30-A	AL40-A	AL40-06-A	AL50-A	AL60-A
Bracket assembly ^{Note)}	—	AF22P-050AS	AF32P-050AS	AF42P-050AS	AF42P-070AS	AF52P-050AS	

Note) Assembly of a bracket and 2 mounting screws

Bowl Assembly/Part No.

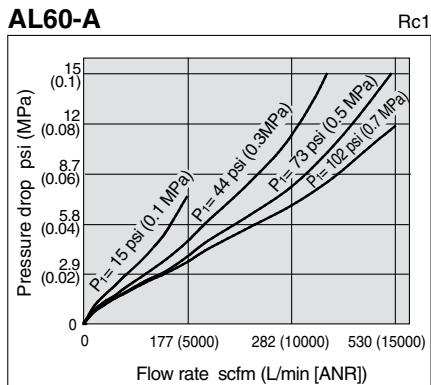
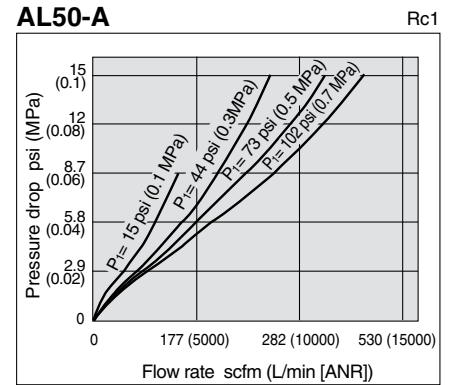
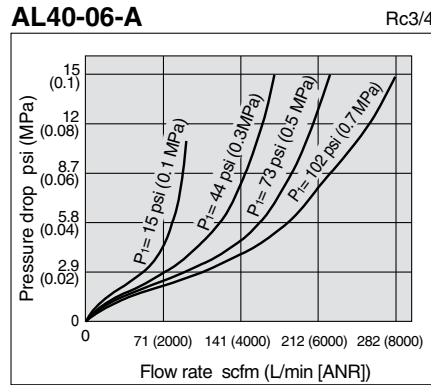
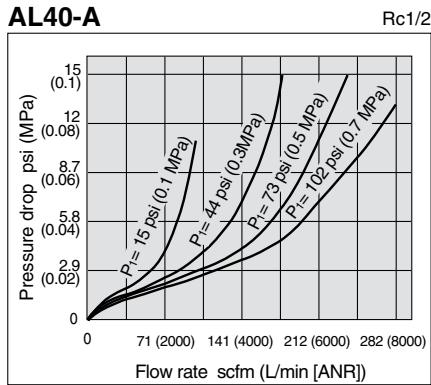
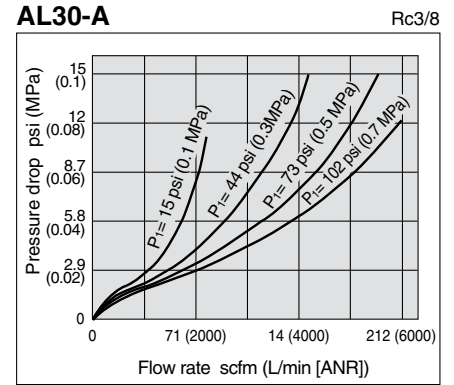
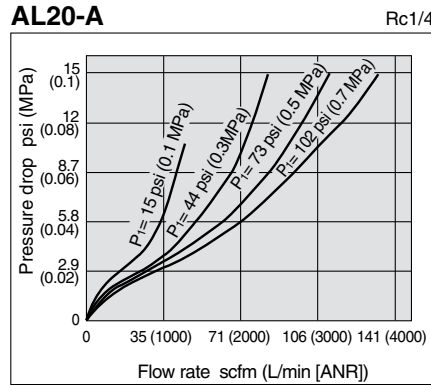
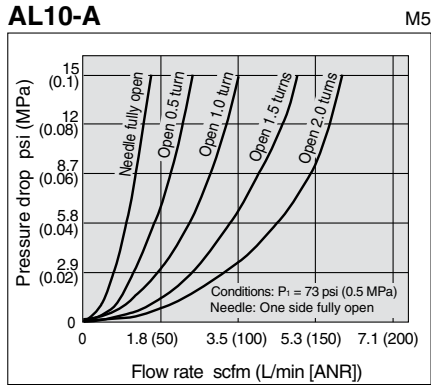
Bowl material	Lubricant exhaust port	Other	Model						
			AL10-A	AL20-A	AL30-A	AL40-A	AL40-06-A	AL50-A	AL60-A
Polycarbonate bowl	Without drain cock	—	C1SL-A	C2SL-A	—	—			
		With bowl guard	—	C2SL-C-A	C3SL-A	C4SL-A			
	With drain cock	—	C1SL-3-A	C2SL-3-A	—	—			
		With bowl guard	—	C2SL-3C-A	C3SL-3-A	C4SL-3-A			
Drain cock with barb fitting	With bowl guard	—	—	C3SL-3W-A	C4SL-3W-A				
Nylon bowl	Without drain cock	—	C1SL-6-A	C2SL-6-A	—	—			
		With bowl guard	—	C2SL-6C-A	C3SL-6-A	C4SL-6-A			
	With drain cock	—	C1SL-36-A	C2SL-36-A	—	—			
		With bowl guard	—	C2SL-36C-A	C3SL-36-A	C4SL-36-A			
Drain cock with barb fitting	With bowl guard	—	—	C3SL-36W-A	C4SL-36W-A				
Metal bowl	Without drain cock	—	C1SL-2-A	C2SL-2-A	C3SL-2-A	C4SL-2-A			
		With level gauge	—	—	C3LL-8-A	C4LL-8-A			
	With drain cock	—	C1SL-23-A	C2SL-23-A	C3SL-23-A	C4SL-23-A			
		With level gauge	—	—	C3LL-38-A	C4LL-38-A			

Note) · Bowl seal is included for the AL20-A to AL60-A.

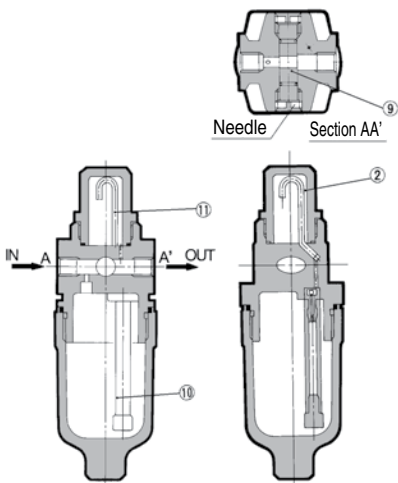
· Please consult with SMC separately for psi and °F unit display specifications.

Series AL10-A to AL60-A

Flow-rate Characteristics (Representative values)



Working Principle: AL10 Type



A portion of the air introduced from the IN side pressurizes the lubricant inside the bowl. The remainder of the air passes through the needle (9), and flows to the OUT side. The differential pressure between the inside of the bowl and the inside of the sight dome (2), causes the lubricant inside the bowl into the oil passage (10). The lubricant drips from the dripping tube (11), and lubricates the OUT side. The amount of lubricant is adjusted by the needle (9) on the front face. Turning the needle clockwise increases the amount of the lubricant, and turning it counterclockwise until fully open shuts off the lubricant. The needle on the side that is not used should be left fully open.

⚠ Specific Product Precautions

Be sure to read this before handling. Refer to the back cover for Safety Instructions, "Handling Precautions for SMC Products" and the Operation Manual for F.R.L. Precautions, <http://www.smcworld.com>

Selection

⚠ Warning

- Do not introduce air from the outlet side as this can damage the bumper.
- The standard bowl for the air filter, filter regulator, and lubricator, as well as the sight dome for the lubricator are made of polycarbonate. Do not use in an environment where they are exposed to or come in contact with organic solvents, chemicals, cutting oil, synthetic oil, alkali, and thread lock solutions.

Effects of atmosphere of organic solvents and chemicals, and where these elements are likely to adhere to the equipment.

Chemical data for substances causing degradation (Reference)

Type	Chemical name	Application examples	Material	
			Polycarbonate	Nylon
Acid	Hydrochloric acid Sulfuric acid, Phosphoric acid Chromic acid	Acid washing liquid for metals	△	×
Alkaline	Sodium hydroxide (Caustic soda) Potash Calcium hydroxide (Slack lime) Ammonia water Carbonate of soda	Degreasing of metals Industrial salts Water-soluble cutting oil	×	○
Inorganic salts	Sodium sulfide Sulfate of potash Sulfate of soda	—	×	△
Chlorine solvents	Carbon tetrachloride Chloroform Ethylene chloride Methylene chloride	Cleansing liquid for metals Printing ink Dilution	×	△
Aromatic series	Benzene Toluene Paint thinner	Coatings Dry cleaning	×	△
Ketone	Acetone Methyl ethyl ketone Cyclohexane	Photographic film Dry cleaning Textile industries	×	×
Alcohol	Ethyl alcohol IPA Methyl alcohol	Antifreeze Adhesives	△	×
Oil	Gasoline Kerosene	—	×	○
Ester	Phthalic acid dimethyl Phthalic acid diethyl Acetic acid	Synthetic oil Anti-rust additives	×	○
Ether	Methyl ether Ethyl ether	Brake oil additives	×	○
Amino	Methyl amino	Cutting oil Brake oil additives Rubber accelerator	×	×
Others	Thread-lock fluid Seawater Leak tester	—	×	△

○: Essentially safe △: Some effects may occur. ×: Effects will occur.

When the above factors are present, or there is some doubt, use a metal bowl for safety.

Selection

⚠ Caution

- Use a check valve (Series AKM) to prevent back flow of the lubricant when redirecting the air flow before the lubricator.

Maintenance

⚠ Warning

- For the AL10-A/AL20-A type, replenish the lubricant after releasing the inlet pressure. Lubrication cannot take place under a pressurized condition.
- Adjustment of the oil regulating valve for models from the AL20-A to AL60-A should be carried out manually. Turning it counterclockwise increases the dripping amount, and turning it clockwise reduces the dripping amount. The use of tools etc. can result in damage to the unit. From the fully closed position, three rotations will bring it to the fully open position. Do not rotate it any further than this. Note that the numbered scale markings are guidelines for adjusting the position, and not indicators of the dripping amount.

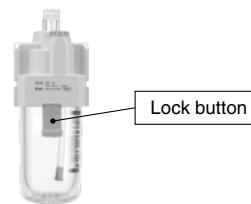
⚠ Caution

- Check the dripping amount once a day. Drip failure can cause damage to the components that need lubrication.

Mounting/Adjustment

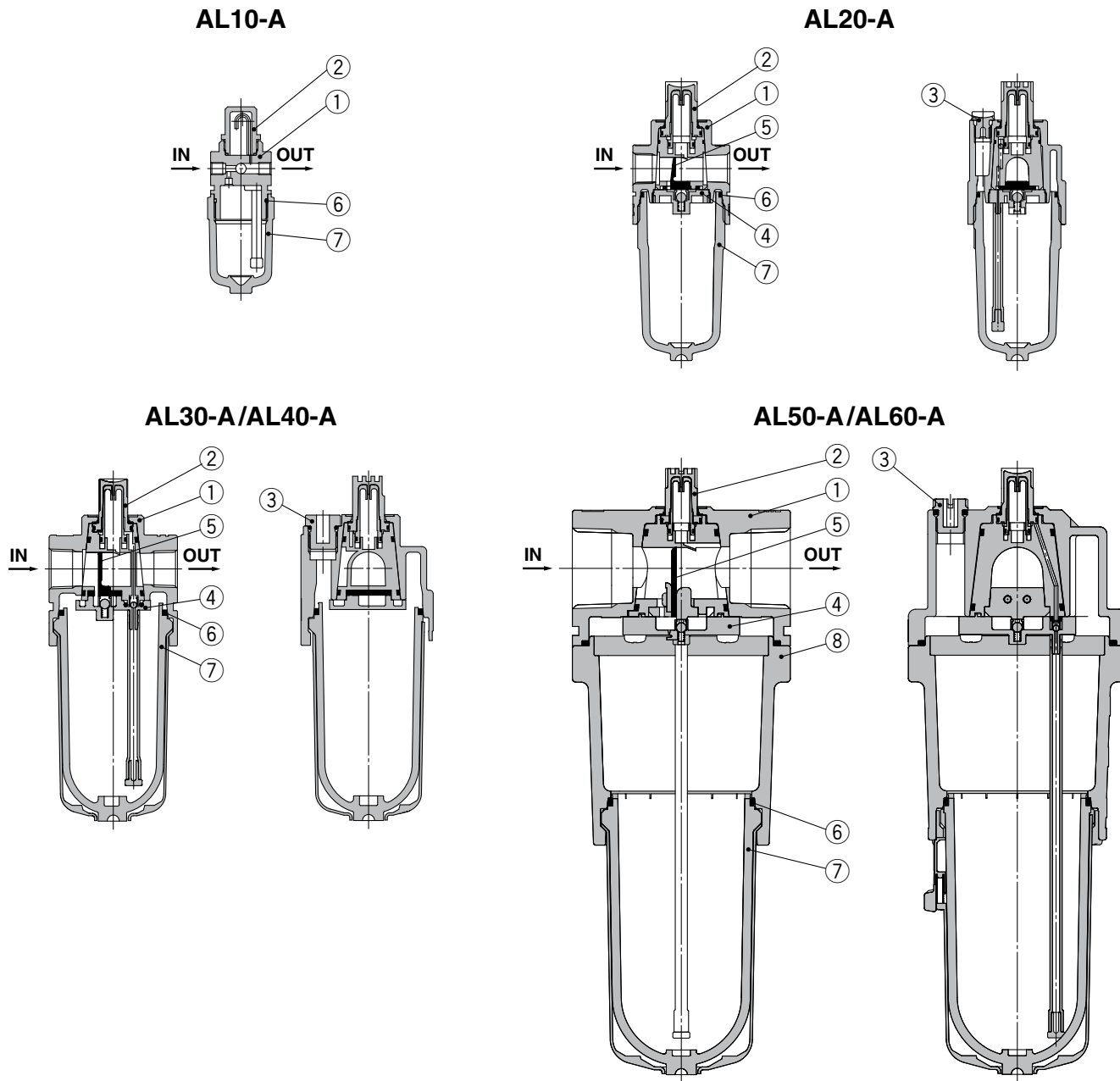
⚠ Caution

- When the bowl is installed on the AL30-A to AL60-A, install them so that the lock button lines up to the groove of the front (or the back) of the body to avoid drop or damage of the bowl.



Series AL10-A to AL60-A

Construction



Component Parts

No.	Description	Material	Model	Color
1	Body	Zinc die-cast	AL10-A	White
		Aluminum die-cast	AL20-A to AL60-A	
8	Housing	Aluminum die-cast	AL50-A/AL60-A	White

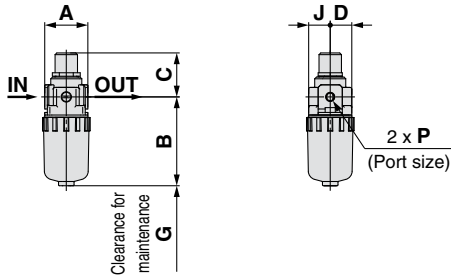
Replacement Parts

No.	Description	Material	Part no.						
			AL10-A	AL20-A	AL30-A	AL40-A	AL40-06-A	AL50-A	AL60-A
2	Sight dome assembly	Polycarbonate	AL10P-080AS	AL20P-080AS					
3	Lubrication plug assembly	—	—	AL22P-060AS	AL32P-060AS	AL42P-060AS			
4	Bumper retainer assembly	—	—	AL20P-030AS	AL30P-030AS	AL40P-030AS		AL50P-030AS	AL60P-030AS
5	Bumper (assembly)	Synthetic resin	—	AL20P-040S	AL30P-040S	AL40P-040S		AL50P-040AS	AL60P-040AS
6	Bowl seal	NBR	C1SFP-260S	C2SFP-260S	C32FP-260S	C42FP-260S			
7	Bowl assembly ^{Note)}	Polycarbonate	C1SL-A	C2SL-A	C3SL-A	C4SL-A			

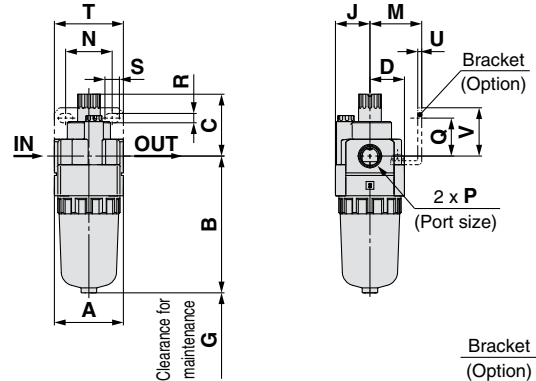
Note) · Bowl seal is included for the AL20-A to AL60-A. Please consult with SMC separately for psi and °F unit display specifications.
 · Bowl assembly for the AL30-A to AL60-A models comes with a bowl guard (Material: Polycarbonate).

Dimensions

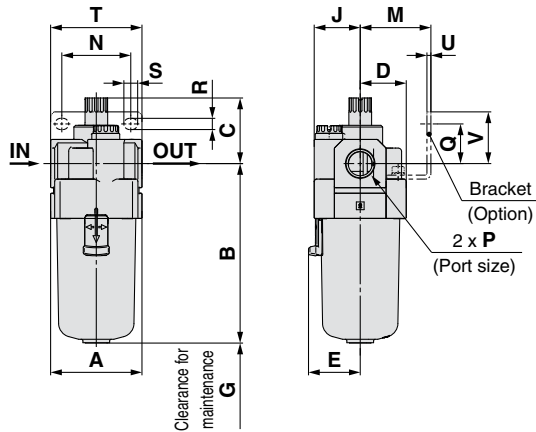
AL10-A



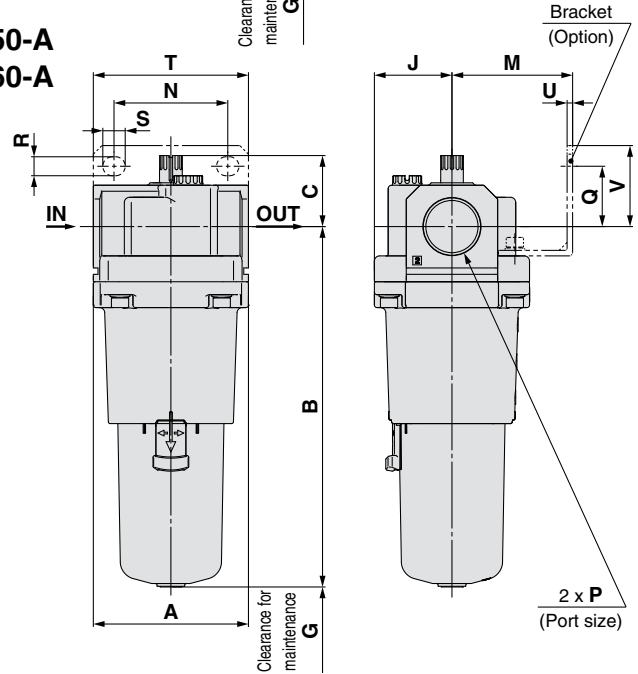
AL20-A



AL30-A to AL40-06-A



AL50-A AL60-A



Applicable model	AL10-A/AL20-A			AL30-A to AL60-A
Optional/Semi-standard specifications	With drain cock	Metal bowl	Metal bowl with drain cock	Metal bowl
Dimensions				

Applicable model	AL30-A to AL60-A				
Optional/Semi-standard specifications	With drain cock	Metal bowl with level gauge	Metal bowl with drain cock	Metal bowl with level gauge, with drain cock	Drain cock with barb fitting
Dimensions					 Barb fitting applicable tubing: T0604

Model	Standard specifications										Optional specifications										Semi-standard specifications					
											Bracket mount										With drain cock	With barb fitting	Metal bowl	Metal bowl with drain cock	Metal bowl with level gauge	Metal bowl with level gauge, with drain cock
	P	A	B	C	D	E	G	J	M	N	Q	R	S	T	U	V	B	B	B	B						
AL10-A	M5 x 0.8	25	51.5	25.5	12.5	—	35	12.5	—	—	—	—	—	—	—	—	—	59.9	—	56.3	59.3	—	—			
AL20-A	1/8, 1/4	40	79.3	35.9	20	—	60	20	30	27	22	5.4	8.4	40	2.3	28	87.7	—	84.5	87.5	—	—	—			
AL30-A	1/4, 3/8	53	104.1	38.1	26.7	30	80	26.7	41	40	23	6.5	8	53	2.3	30	115.1	123.6	104.1	117.6	124.1	137.6	—			
AL40-06-A	1/4, 3/8, 1/2	70	136.1	39.8	35.5	38.4	110	35.5	50	54	26	8.5	10.5	70	2.3	35	147.1	155.6	136.1	149.6	156.1	169.6	—			
AL50-A	3/4	75	138.1	37.8	35.5	38.4	110	35.5	50	54	25	8.5	10.5	70	2.3	34	149.1	157.6	138.1	151.6	158.1	171.6	—			
AL50-A	3/4, 1	90	209.1	41.2	45	—	110	45	70	66	35	11	13	90	3.2	47	220.1	228.6	209.1	222.6	229.1	246.2	—			
AL60-A	1	95	223.1	44.7	47.5	—	110	47.5	70	66	35	11	13	90	3.2	47	234.1	242.6	223.1	236.6	243.1	256.6	—			

AC
AF+AR+AL
AW+AL
AF+AR
AF+AFM+AR
AW+AFM
Attachment
AF
AFM / AFD
AR
AL
AW

Modular Type Filter Regulator *Series AW*

Filter Regulator
Series AW



P.85 to 96

Model	Port size	Options
AW10-A	M5 x 0.8	Bracket Set nut (for panel mount) Float type auto drain Square embedded type pressure gauge Digital pressure switch Round type pressure gauge
AW20-B	1/8, 1/4	
AW30-B	1/4, 3/8	
AW40-B	1/4, 3/8, 1/2	
AW40-06-B	3/4	
AW60-B	3/4, 1	

*** Interchangeable with existing AW series**

AC

AF+AR+AL

AW+AL

AF+AR

AF+AFM+AR

AW+AFM

Attachment

AF

AFM / AFD

AR

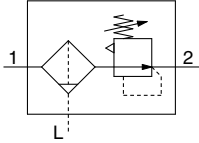
AL

AW

Filter Regulator

AW10-A

Symbol
Filter Regulator



• Integrated filter and regulator units save space and require less piping.

How to Order

Refer to page 87 for size 20 to 60.

AW10-M5 - -A
 1 2

• Option/Semi-standard: Select one each for a to h.
 • Option/Semi-standard symbol: When more than one specification is required, indicate in alphanumeric order.
 Example) AW10-M5CG-12NR-A

		Symbol	Description	
1	Option <small>Note 1)</small>	a	Mounting	Nil Without mounting option
				B With bracket
				H With set nut (for panel mount)
	+			
	b	Float type auto drain	Nil Without auto drain	
			C <small>Note 2)</small> N.C. (Normally closed) Drain port is closed when pressure is not applied.	
	+			
	c	Pressure gauge	Nil Without pressure gauge	
			G <small>Note 3)</small> Round type pressure gauge (without limit indicator)	
+				
2	Semi-standard	d	Set pressure <small>Note 4)</small>	Nil 7.3 to 102 psi (0.05 to 0.7 MPa) setting
				1 2.9 to 29 psi (0.02 to 0.2 MPa) setting
		+		
	e	Bowl <small>Note 5)</small>	Nil Polycarbonate bowl	
			2 Metal bowl	
			6 Nylon bowl	
	+			
	f	Exhaust mechanism	Nil Relieving type	
			N Non-relieving type	
	+			
	g	Flow direction	Nil Flow direction: Left to right	
			R Flow direction: Right to left	
	+			
	h	Pressure unit	Nil Name plate, caution plate, and pressure gauge in imperial units: MPa	
			Z <small>Note 6)</small> Name plate, caution plate, and pressure gauge in imperial units: psi, °F	

Note 1) Option B, G, H are not assembled and supplied loose at the time of shipment.

Note 2) When pressure is not applied, condensate which does not start the auto drain mechanism will be left in the bowl.

Releasing the residual condensate before ending operations for the day is recommended.

Note 3) A 145psi (1.0 MPa) pressure gauge will be fitted. It is not assembled and supplied loose at the time of shipment.

Note 4) Pressure can be set higher than the specification pressure in some cases, but use pressure within the specification range.

Note 5) Refer to Chemical data on page 90 for chemical resistance of the bowl.

Note 6) This product is for overseas use only according to the new Measurement Law. (The SI unit type is provided for use in Japan.)



AW10-A

Standard Specifications

Port size	M5 x 0.8
Pressure gauge port size	1/16
Fluid	Air
Ambient and fluid temperature	23 to 140°F (−5 to 60°C) (with no freezing)
Proof pressure	218 psi (1.5 MPa)
Maximum operating pressure	145 psi (1.0 MPa)
Set pressure range	7.3 to 102 psi (0.05 to 0.7 MPa)
Nominal filtration rating	5 μm
Bowl material	Polycarbonate
Construction	Relieving type
Weight (kg)	0.09

Options/Part No.

Bracket assembly ^{Note 1)}	AR12P-270AS
Set nut	AR12P-260S
Round type pressure gauge ^{Note 2)}	G27-10-R1

Note 1) Assembly of a bracket and set nuts

Note 2) 1.0 MPa pressure gauge

Bowl Assembly/Part No.

Bowl material	Drain discharge mechanism	Drain port	Bowl part no.
Polycarbonate bowl	Manual discharge	With drain cock	C1SF-A
	Automatic discharge (Auto drain) ^{Note 2)}	Normally closed (N.C.)	AD17-A
Nylon bowl	Manual discharge	With drain cock	C1SF-6-A
	Automatic discharge (Auto drain) ^{Note 2)}	Normally closed (N.C.)	AD27-6-A
Metal bowl	Manual discharge	With drain cock	C1SF-2-A
	Automatic discharge (Auto drain) ^{Note 2)}	Normally closed (N.C.)	AD17-2-A

Note 1) Please consult with SMC separately for psi and °F unit display specifications.

Note 2) Minimum operating pressure: 15 psi (0.1 MPa)

AC

AF+AR+AL

AW+AL

AF+AR

AF+AFM+AR

AW+AFM

Attachment

AF

AFM/AFD

AR

AL

AW

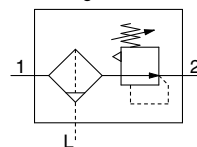
Filter Regulator

AW20-B to AW60-B

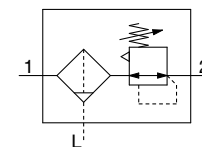
Filter Regulator with Backflow Function

AW20K-B to AW60K-B

Symbol
Filter Regulator



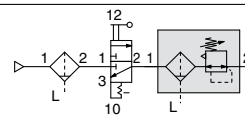
Filter Regulator with
Backflow Function



- Integrated filter and regulator units save space and require less piping.
- With the backflow function it incorporates a mechanism to exhaust the air pressure in the outlet side reliably and quickly.

Example)

When the air supply is cut off and releasing the inlet pressure to the atmosphere, the residual pressure release of the outlet side can be ensured for a safety purpose.



How to Order

Refer to page 85 for size 10.

AW **30** **K** - **03** **BE** - **1N** - **B**

① ② ③ ④ ⑤ ⑥

- Option/Semi-standard: Select one each for a to i.
- Option/Semi-standard symbol: When more than one specification is required, indicate in alphanumeric order.
Example) AW30K-03BE-1N-B

		Symbol	Description	① Body size				
				20	30	40	60	
②	With backflow function	Nil	Without backflow function	●	●	●	●	
		K ^{Note 1)}	With backflow function	●	●	●	●	
+								
③	Pipe thread type	Nil	Rc	●	●	●	●	
		N ^{Note 2)}	NPT	●	●	●	●	
		F ^{Note 3)}	G	●	●	●	●	
+								
④	Port size	01	1/8	●	—	—	—	
		02	1/4	●	●	●	—	
		03	3/8	—	●	●	—	
		04	1/2	—	—	●	—	
		06	3/4	—	—	●	●	
		10	1	—	—	—	●	
+								
⑤ Option ^{Note 4)}	a	Mounting	Nil	Without mounting option	●	●	●	●
			B ^{Note 5)}	With bracket	●	●	●	●
			H	With set nut (for panel mount)	●	●	●	—
	+							
	b	Float type auto drain	Nil	Without auto drain	●	●	●	●
			C ^{Note 6)}	N.C. (Normally closed) Drain port is closed when pressure is not applied.	●	●	●	●
			D ^{Note 7)}	N.O. (Normally open) Drain port is open when pressure is not applied.	—	●	●	●
	+							
	c	Pressure gauge ^{Note 8)}	Nil	Without pressure gauge	●	●	●	●
			E	Square embedded type pressure gauge (with limit indicator)	●	●	●	●
			G	Round type pressure gauge (with limit indicator)	●	●	●	●
			M	Round type pressure gauge (with color zone)	●	●	●	●
Digital pressure switch ^{Note 9)}		E1	Output: NPN output / Electrical entry: Wiring bottom entry	●	●	●	●	
		E2	Output: NPN output / Electrical entry: Wiring top entry	●	●	●	●	
		E3	Output: PNP output / Electrical entry: Wiring bottom entry	●	●	●	●	
+								
d	Set pressure ^{Note 10)}	Nil	7.3 to 123 psi (0.05 to 0.85 MPa) setting	●	●	●	●	
		1	2.9 to 29 psi (0.02 to 0.2 MPa) setting	●	●	●	●	
+								
⑥ Semi-standard	e	Bowl ^{Note 11)}	Nil	Polycarbonate bowl	●	●	●	●
			2	Metal bowl	●	●	●	●
			6	Nylon bowl	●	●	●	●
			8	Metal bowl with level gauge	—	●	●	●
			C	With bowl guard	●	— Note 12)	— Note 12)	— Note 12)
			6C	Nylon bowl with bowl guard	●	— Note 13)	— Note 13)	— Note 13)
+								
f	Drain port ^{Note 14)}	Nil	With drain cock	●	●	●	●	
		J ^{Note 15)}	Drain guide 1/8	●	—	—	—	
			Drain guide 1/4	—	●	●	●	
		W ^{Note 16)}	Drain cock with barb fitting	—	●	●	●	

Filter Regulator *Series AW20-B to AW60-B*

Filter Regulator with Backflow Function *Series AW20K-B to AW60K-B*



AW20-B, AW20K-B AW40-B, AW40K-B

		Symbol	Description	①				
				Body size				
				20	30	40	60	
6	Semi-standard	g	Exhaust mechanism	Nil	Relieving type			●
			N	Non-relieving type			●	
	+				●	●	●	●
	h	Flow direction	Nil	Flow direction: Left to right			●	●
			R	Flow direction: Right to left			●	●
	+				●	●	●	●
i	Pressure unit	Nil	Name plate, caution plate for bowl, and pressure gauge in imperial units: MPa			●	●	
		Z <small>Note 17</small>	Name plate, caution plate for bowl, and pressure gauge in imperial units: psi, °F			○ <small>Note 19</small>	○ <small>Note 19</small>	
		ZA <small>Note 18</small>	Digital pressure switch: With unit conversion function			△ <small>Note 20</small>	△ <small>Note 20</small>	

- Note 1) Set the inlet pressure to at least 7.3 psi (0.05 MPa) higher than the set pressure.
- Note 2) Drain guide is NPT1/8 (applicable to the AW20(K)-B) and NPT1/4 (applicable to the AW30(K)-B to AW60(K)-B). The auto drain port comes with $\phi 3/8$ " One-touch fitting (applicable to the AW30(K)-B to AW60(K)-B).
- Note 3) Drain guide is G1/8 (applicable to the AW20(K)-B) and G1/4 (applicable to the AW30(K)-B to AW60(K)-B).
- Note 4) Option B, G, H, M are not assembled and supplied loose at the time of shipment.
- Note 5) Assembly of a bracket and set nuts (applicable to the AW20(K)-B to AW40(K)-B). Including 2 mounting screws for the AW60(K)-B
- Note 6) When pressure is not applied, condensate which does not start the auto drain mechanism will be left in the bowl. Releasing the residual condensate before ending operations for the day is recommended.

- Note 7) If the compressor is small (0.75 kW, discharge flow is less than 3.5 scfm (100 L/min[ANR])), air leakage from the drain cock may occur during start of operations. N.C. type is recommended.
- Note 8) When the pressure gauge is attached, a 145 psi (1.0 MPa) pressure gauge will be fitted for standard (123 psi [0.85 MPa]) type. 58 psi (0.4 MPa) pressure gauge for 2.9 psi (0.2 MPa) type.
- Note 9) When choosing with H (panel mount), the installation space for lead wires will not be secured. In this case, select "wiring top entry" for the electrical entry. (Select "wiring bottom entry" when the semi-standard Y is chosen simultaneously.)
- Note 10) Pressure can be set higher than the specification pressure in some cases, but use pressure within the specification range.
- Note 11) Refer to Chemical data on page 90 for chemical resistance of the bowl.
- Note 12) A bowl guard is provided as standard equipment (polycarbonate).
- Note 13) A bowl guard is provided as standard equipment (nylon).

- Note 14) The combination of float type auto drain: C and D is not available.
- Note 15) Without a valve function
- Note 16) The combination of metal bowl: 2 and 8 is not available.
- Note 17) For pipe thread type: NPT. This product is for overseas use only according to the new Measurement Law. (The SI unit type is provided for use in Japan.) Cannot be used with M: Round pressure gauge (with color zone). Available by request for special. The digital pressure switch will be equipped with the unit conversion function, setting to psi initially.
- Note 18) For options: E1, E2, E3, E4. This product is for overseas use only according to the new Measurement Law. (The SI unit is provided for use in Japan.)
- Note 19) ○: For pipe thread type: NPT only
- Note 20) △: Select with options: E1, E2, E3, E4.

Standard Specifications

Model	AW20-B	AW30-B	AW40-B	AW40-06-B	AW60-B
Port size	1/8, 1/4	1/4, 3/8	1/4, 3/8, 1/2	3/4	3/4, 1
Pressure gauge port size <small>Note 1</small>	1/8				
Fluid	Air				
Ambient and fluid temperature <small>Note 2</small>	23 to 140°F (-5 to 60°C) (with no freezing)				
Proof pressure	218 psi (1.5 MPa)				
Maximum operating pressure	145 psi (1.0 MPa)				
Set pressure range	7.3 to 123 psi (0.05 to 0.85 MPa)				
Nominal filtration rating	5 μ m				
Drain capacity (cm³)	8	25	45		
Bowl material	Polycarbonate				
Bowl guard	Semi-standard (Steel)	Standard (Polycarbonate)			
Construction	Relieving type				
Weight (kg)	0.20	0.36	0.66	0.72	2.05

Note 1) Pressure gauge connection threads are not available for F.R.L. unit with a square embedded type pressure gauge or with a digital pressure switch.

Note 2) 23 to 122°F (-5 to 50°C) for the products with the digital pressure switch

AC
AF+AR+AL
AW+AL
AF+AR
AF+AFM+AR
AW+AFM
Attachment
AF
AFM/AFD
AR
AL
AW

Series AW20-B to AW60-B

Series AW20K-B to AW60K-B

Options/Part No.

Optional specifications		Model				
		AW20(K)-B	AW30(K)-B	AW40(K)-B	AW40(K)-06-B	AW60(K)-B
Bracket assembly ^{Note 1)}		AW23P-270AS	AR33P-270AS	AR43P-270AS		AW62P-270AS
Set nut		AR23P-260S	AR33P-260S	AR43P-260S		— ^{Note 2)}
Pressure gauge	Round type ^{Note 3)}	Standard	G36-10-□01		G46-10-□01	
		2.9 to 29 psi (0.02 to 0.2 MPa) setting	G36-4-□01		G46-4-□01	
	Round type ^{Note 3)} (with color zone)	Standard	G36-10-□01-L		G46-10-□01-L	
		2.9 to 29 psi (0.02 to 0.2 MPa) setting	G36-4-□01-L		G46-4-□01-L	
Square embedded type ^{Note 4)}	Standard	GC3-10AS [GC3P-010AS (Pressure gauge cover only)]				
	2.9 to 29 psi (0.02 to 0.2 MPa) setting	GC3-4AS [GC3P-010AS (Pressure gauge cover only)]				
Digital pressure switch ^{Note 5)}	NPN output: Wiring bottom entry		ISE35-N-25-MLA [ISE35-N-25-M (Switch body only)]			
	NPN output: Wiring top entry		ISE35-R-25-MLA [ISE35-R-25-M (Switch body only)]			
	PNP output: Wiring bottom entry		ISE35-N-65-MLA [ISE35-N-65-M (Switch body only)]			
	PNP output: Wiring top entry		ISE35-R-65-MLA [ISE35-R-65-M (Switch body only)]			

Note 1) Assembly of a bracket and set nuts. Including 2 mounting screws for the AW60(K)-B

Note 2) Please consult with SMC regarding the set nuts for the AW60(K)-B.

Note 3) □ in part numbers for a round pressure gauge indicates a pipe thread type.

No indication is necessary for R; however, indicate N for NPT.

Please contact SMC regarding the pressure gauge supply for psi unit specifications.

Note 4) Including one O-ring and 2 mounting screws.

[]: Pressure gauge cover only

Note 5) In addition to the pressure switch body, lead wire with connector (2 m), adapter, lock pin, O-ring (1 pc.), mounting screw (2 pcs.) are attached.

[]: Switch body only. (Regarding how to order the digital pressure switch, refer to the **WEB catalog** or the Best Pneumatics No.6.)

A pressure switch can be mounted on the AW60(K)-B, with a special mounting adapter (Pressure switch adapter assembly: AW63P-310AS) and mounting screws (M3 x 0.5 x 14) which are delivered with the mounting adapter.

Bowl Assembly/Part No.

Bowl material	Drain discharge mechanism	Drain port	Other	Model				
				AW20-B	AW30-B	AW40-B	AW40-06-B	AW60-B
Polycarbonate bowl	Manual discharge	With drain cock	—	C2SF-A	—	—		
			With bowl guard	C2SF-C-A	C3SF-A	C4SF-A		
		Drain cock with barb fitting	With bowl guard	—	C3SF-W-A	C4SF-W-A		
			With drain guide (without valve function)	—	C2SF□-J-A	—	—	
	Automatic discharge ^{Note)} (Auto drain)	Normally closed (N.C.)	—	AD27-A	—	—		
			With bowl guard	AD27-C-A	AD37□-A	AD47□-A		
Normally open (N.O.)	With bowl guard	—	AD38□-A	AD48□-A				
Nylon bowl	Manual discharge	With drain cock	—	C2SF-6-A	—	—		
			With bowl guard	C2SF-6C-A	C3SF-6-A	C4SF-6-A		
		Drain cock with barb fitting	With bowl guard	—	C3SF-6W-A	C4SF-6W-A		
			With drain guide (without valve function)	—	C2SF□-6J-A	—	—	
	Automatic discharge ^{Note)} (Auto drain)	Normally closed (N.C.)	—	AD27-6-A	—	—		
			With bowl guard	AD27-6C-A	AD37□-6-A	AD47□-6-A		
Normally open (N.O.)	With bowl guard	—	AD38□-6-A	AD48□-6-A				
Metal bowl	Manual discharge	With drain cock	—	C2SF-2-A	C3SF-2-A	C4SF-2-A		
			With level gauge	—	C3LF-8-A	C4LF-8-A		
		With drain guide (without valve function)	—	C2SF□-2J-A	C3SF□-2J-A	C4SF□-2J-A		
			With level gauge	—	C3LF□-8J-A	C4LF□-8J-A		
	Automatic discharge ^{Note)} (Auto drain)	Normally closed (N.C.)	—	AD27-2-A	AD37□-2-A	AD47□-2-A		
			With level gauge	—	AD37□-8-A	AD47□-8-A		
Normally open (N.O.)	—	—	AD38□-2-A	AD48□-2-A				
With level gauge	—	—	AD38□-8-A	AD48□-8-A				

Note) Minimum operating pressure: N.O. type—15 psi (0.1 MPa) (AD38-A, AD48-A); N.C. type—15 psi (0.1 MPa) (AD27-A) and 22 psi (0.15 MPa) (AD37-A, AD47-A).

Bowl assembly comes with a bowl seal.

□ in bowl assembly part numbers indicates a pipe thread type (applicable tubing for auto drain).

No indication is necessary for Rc thread; however, indicate N for NPT thread, and F for G thread. (For auto drain, Nil: ø10, N: ø3/8")

Please consult with SMC separately for psi and °F unit display specifications.

⚠ Specific Product Precautions

Be sure to read this before handling. Refer to the back cover for Safety Instructions, "Handling Precautions for SMC Products" and the Operation Manual for F.R.L. Precautions, <http://www.smcworld.com>

Design/Selection

⚠ Warning

- Residual pressure disposal (outlet pressure removal) is not possible for the AW20-B to AW60-B even though the inlet pressure is exhausted. When the residual pressure disposal is performed, use the filter regulator with backflow function (AW20K-B to AW60K-B).
- The standard bowl for the air filter, filter regulator, and lubricator, as well as the sight dome for the lubricator are made of polycarbonate. Do not use in an environment where they are exposed to or come in contact with organic solvents, chemicals, cutting oil, synthetic oil, alkali, and thread lock solutions.

Effects of atmosphere of organic solvents and chemicals, and where these elements are likely to adhere to the equipment.

Chemical data for substances causing degradation (Reference)

Type	Chemical name	Application examples	Material	
			Polycarbonate	Nylon
Acid	Hydrochloric acid Sulfuric acid, Phosphoric acid Chromic acid	Acid washing liquid for metals	△	×
Alkaline	Sodium hydroxide (Caustic soda) Potash Calcium hydroxide (Slack lime) Ammonia water Carbonate of soda	Degreasing of metals Industrial salts Water-soluble cutting oil	×	○
Inorganic salts	Sodium sulfide Sulfate of potash Sulfate of soda	—	×	△
Chlorine solvents	Carbon tetrachloride Chloroform Ethylene chloride Methylene chloride	Cleansing liquid for metals Printing ink Dilution	×	△
Aromatic series	Benzene Toluene Paint thinner	Coatings Dry cleaning	×	△
Ketone	Acetone Methyl ethyl ketone Cyclohexane	Photographic film Dry cleaning Textile industries	×	×
Alcohol	Ethyl alcohol IPA Methyl alcohol	Antifreeze Adhesives	△	×
Oil	Gasoline Kerosene	—	×	○
Ester	Phthalic acid dimethyl Phthalic acid diethyl Acetic acid	Synthetic oil Anti-rust additives	×	○
Ether	Methyl ether Ethyl ether	Brake oil additives	×	○
Amino	Methyl amino	Cutting oil Brake oil additives Rubber accelerator	×	×
Others	Thread-lock fluid Seawater Leak tester	—	×	△

○: Essentially safe △: Some effects may occur. ×: Effects will occur.

When the above factors are present, or there is some doubt, use a metal bowl for safety.

Maintenance

⚠ Warning

- Replace the element every 2 years or when the pressure drop becomes 0.1 MPa, whichever comes first, to prevent damage to the element.

Mounting/Adjustment

⚠ Warning

- Set the regulator while verifying the displayed values of the inlet and outlet pressure gauges. Turning the regulator knob excessively can cause damage to the internal parts.
- Do not use tools on the pressure regulator knob as this may cause damage. It must be operated manually.

⚠ Caution

- Be sure to unlock the knob before adjusting the pressure and lock it after setting the pressure. Failure to follow this procedure can cause damage to the knob and the outlet pressure may fluctuate.
 - Pull the pressure regulator knob to unlock. (You can visually verify this with the "orange mark" that appears in the gap.)
 - Push the pressure regulator knob to lock. When the knob is not easily locked, turn it left and right a little and then push it (when the knob is locked, the "orange mark", i.e., the gap will disappear).
- A knob cover is available to prevent careless operation of the knob. Refer to page 97 for details.
- When the bowl is installed on the AW30-B to AW60-B, install them so that the lock button lines up to the groove of the front (or the back) of the body to avoid drop or damage of the bowl.



AC

AF+AR+AL

AW+AL

AF+AR

AF+AFM+AR

AW+AFM

Attachment

AF

AFM/AFD

AR

AL

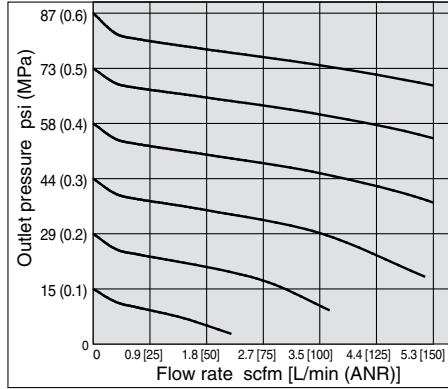
AW

Series AW210-A / Series AW20-B to AW60-B / Series AW20K-B to AW60K-B

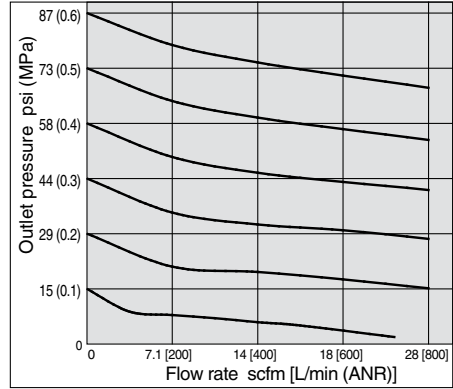
Flow-rate Characteristics (Representative values)

Condition: Inlet pressure 102 psi (0.7 MPa)

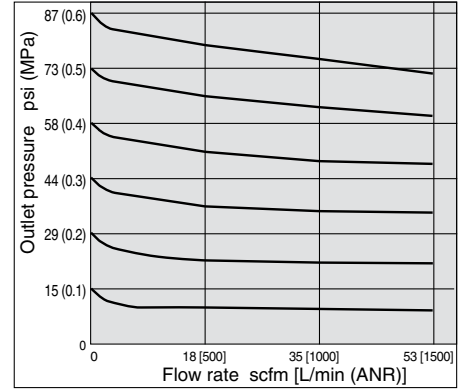
AW10-A M5



AW20(K)-B Rc1/4

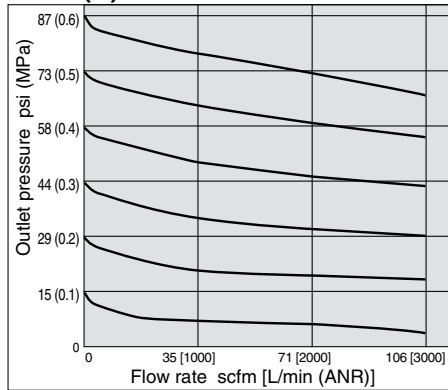


AW30(K)-B Rc3/8

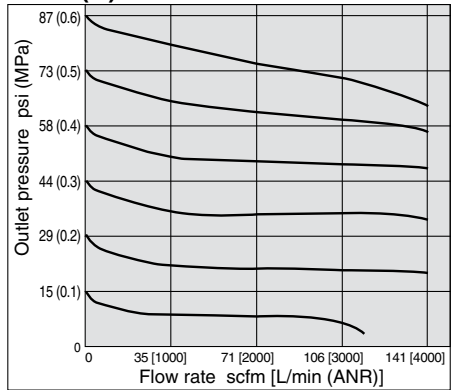


100 L/min (ANR) = 3.53 scfm

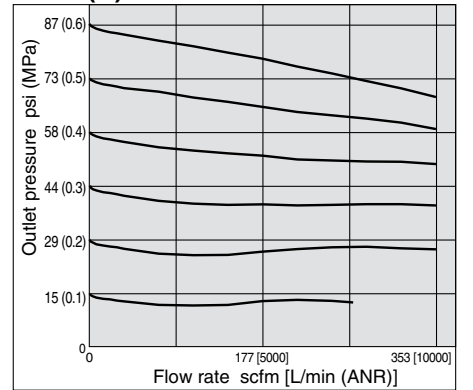
AW40(K)-B Rc1/2



AW40(K)-06-B Rc3/4



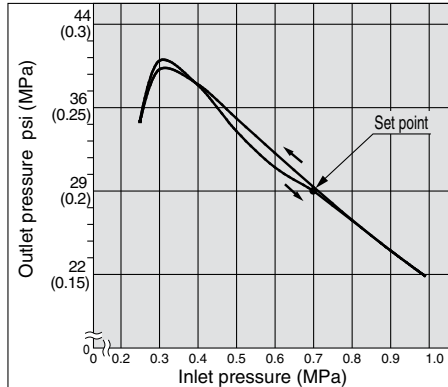
AW60(K)-B Rc1



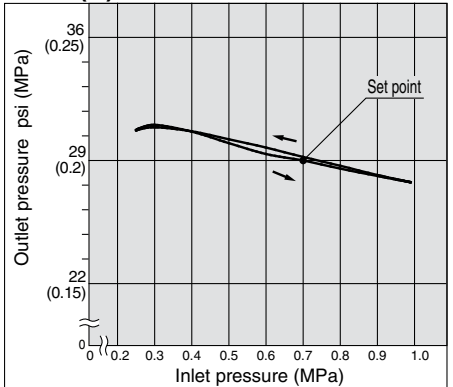
Pressure Characteristics (Representative values)

Conditions: Inlet pressure 102 psi (0.7 MPa), Outlet pressure 29 psi (0.2 MPa), Flow rate 0.7 scfm (20 L/min) (ANR)

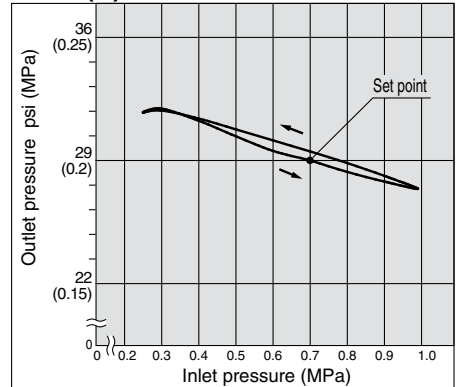
AW10-A



AW20(K)-B

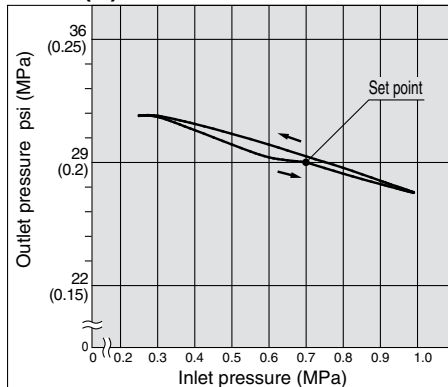


AW30(K)-B

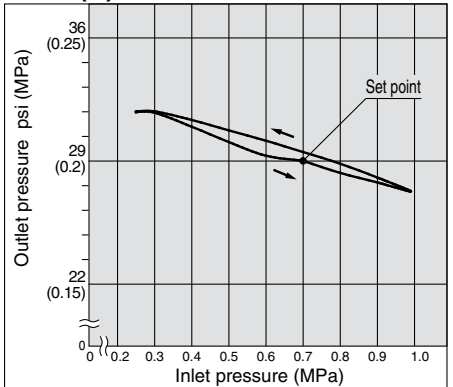


psi (MPa) -- 29 (0.2), 44 (0.3), 58 (0.4), 73 (0.5), 87 (0.6), 102 (0.7), 116 (0.8), 131 (0.9), 145 (1.0)

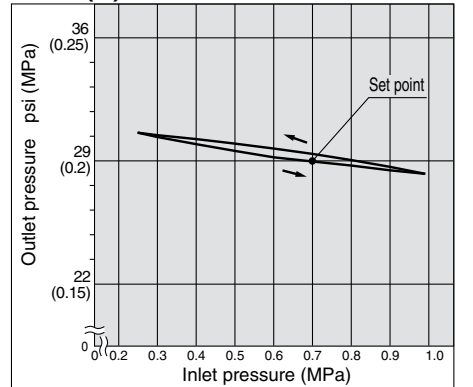
AW40(K)-B



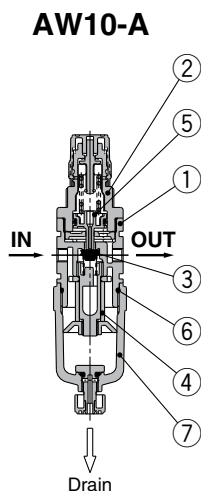
AW40(K)-06-B



AW60(K)-B



Construction



Component Parts

No.	Description	Material	Color
1	Body	Zinc die-cast	White
2	Bonnet	Polyacetal	White

Replacement Parts

No.	Description	Material	Part no.
3	Valve	HNBR	AR10P-090S
4	Filter element	Non-woven fabric	AF10P-060S
5	Piston assembly	Polyacetal	AR10P-150AS
6	Bowl O-ring	NBR	C1SFP-260S
7	Bowl assembly	Polycarbonate	C1SF-A

Working Principle (Filter Regulator with Backflow Function)

AW10-A



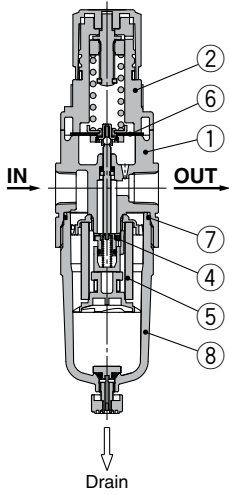
When the inlet pressure is higher than the regulating pressure, the check valve operates as a normal regulator (Figure 1).

When the inlet pressure is shut off and exhausted, any inlet pressure applied to the valve ① will be lost. The force for seating the valve ① is the valve spring force ② only. When the valve ① is opened using the outlet force, the outlet pressure will be exhausted at the inlet side (Figure 2). When the set pressure is 0.15 MPa or less, the valve ① may not open due to the valve spring ② force.

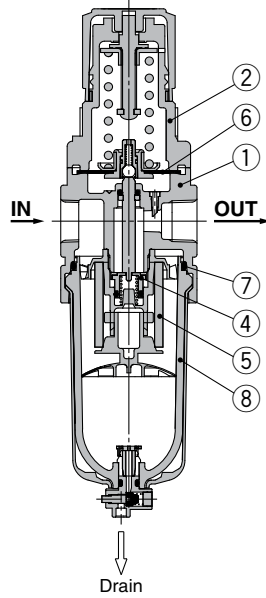
Series AW20-B to AW60-B Series AW20K-B to AW60K-B

Construction

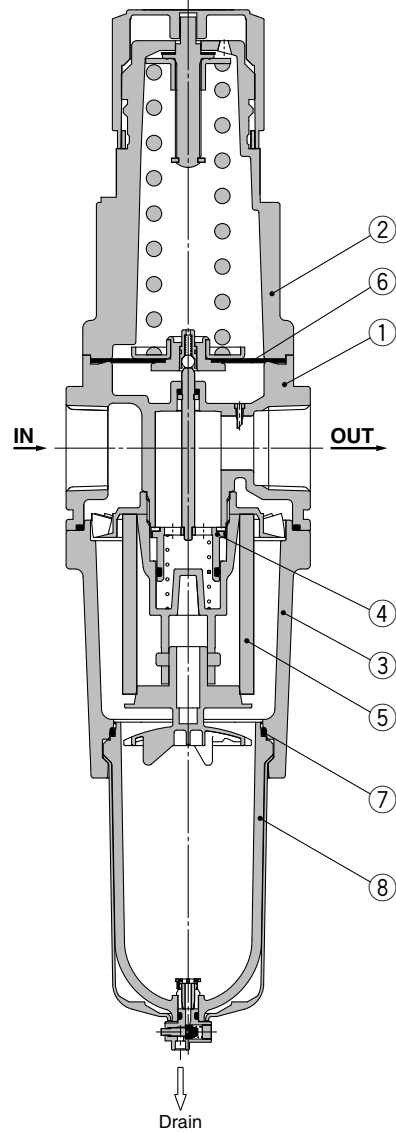
AW20(K)-B



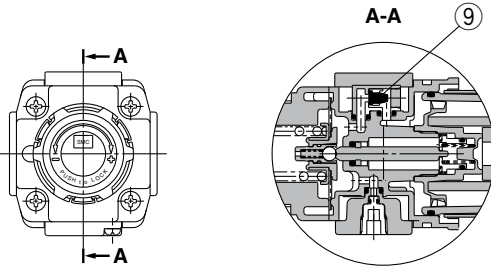
AW30(K)-B/AW40(K)-B



AW60(K)-B



AW20K-B to AW60K-B (Filter Regulator with Backflow Function)



Component Parts

No.	Description	Material	Model	Color
1	Body	Aluminum die-cast	AW20-B to AW60-B	White
2	Bonnet	Polyacetal	AW20-B to AW40-B	White
		Aluminum die-cast	AW60-B	White
3	Housing	Aluminum die-cast	AW60-B	White

Replacement Parts

No.	Description	Material	Part no.				
			AW20(K)-B	AW30(K)-B	AW40(K)-B	AW40(K)-06-B	AW60(K)-B
4	Valve assembly	Brass, HNBR	AW20P-340AS	AW30P-340AS	AW40P-340AS		AW60P-090AS
5	Filter element	Non-woven fabric	AF20P-060S	AF30P-060S	AF40P-060S		AW60P-060S
6	Diaphragm assembly	Weatherable NBR	AR20P-150AS	AR30P-150AS	AR40P-150AS		AR50P-150AS
7	Bowl seal	NBR	C2SFP-260S	C32FP-260S	C42FP-260S		
8	Bowl assembly ^{Note 1)}	Polycarbonate	C2SF-A	C3SF-A ^{Note 2)}	C4SF-A ^{Note 2)}		
9	Check valve assembly ^{Note 3)}	—	AR23KP-020AS				

Note 1) Bowl assembly includes the bowl O-ring.

Please consult with SMC separately for psi and °F unit display specifications.

Note 2) Bowl assembly for the AW30(K)-B to AW60(K)-B models comes with a bowl guard (Material: Polycarbonate).

Note 3) Check valve assembly is applicable for a filter regulator with backflow function (AW20(K)-B to AW60(K)-B) only.

Assembly of a check valve cover, check valve body assembly and 2 mounting screws

Working Principle (Filter Regulator with Backflow Function)

AW20K-B to AW60K-B

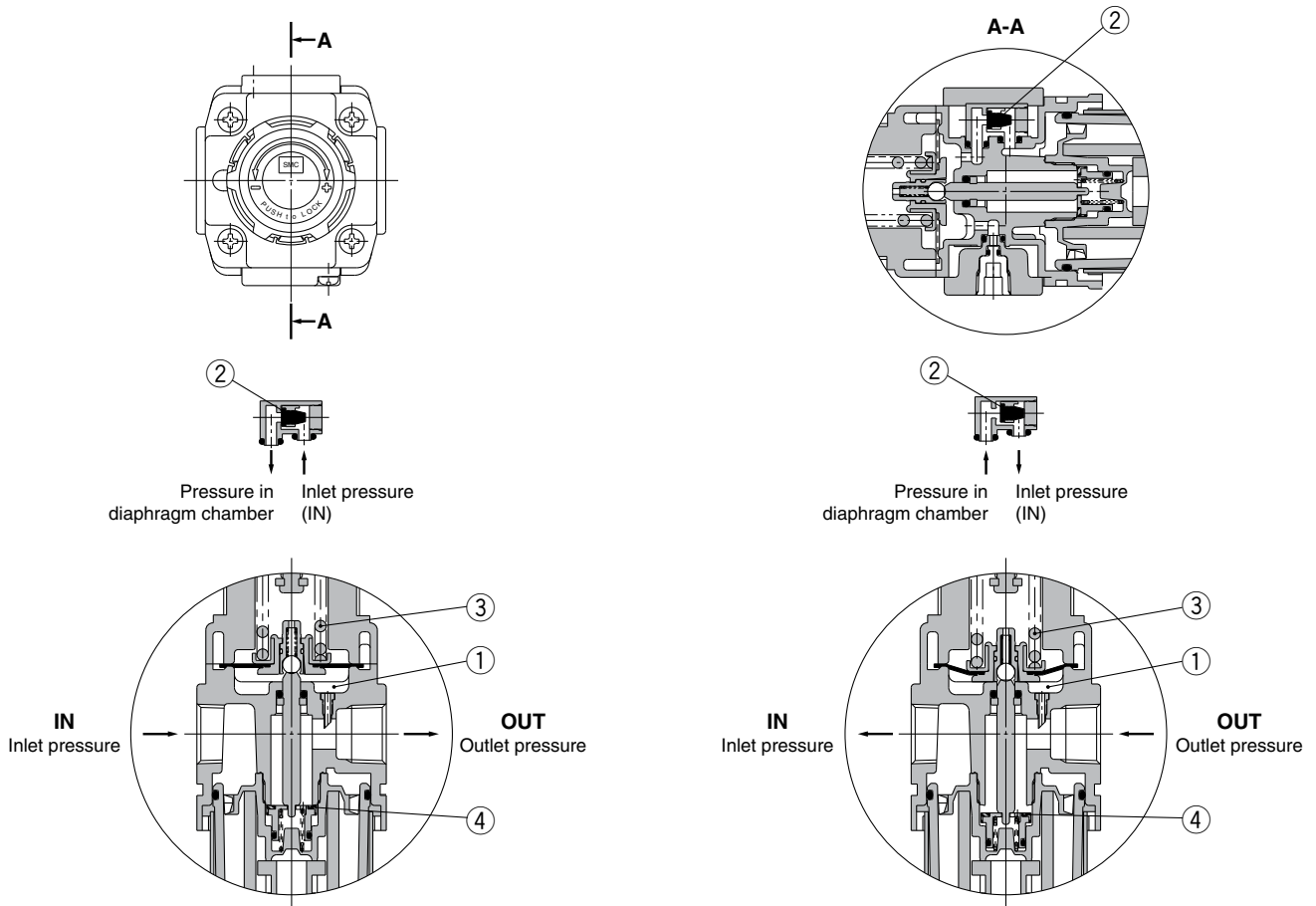


Figure 1 Normal

Figure 2 Backflow

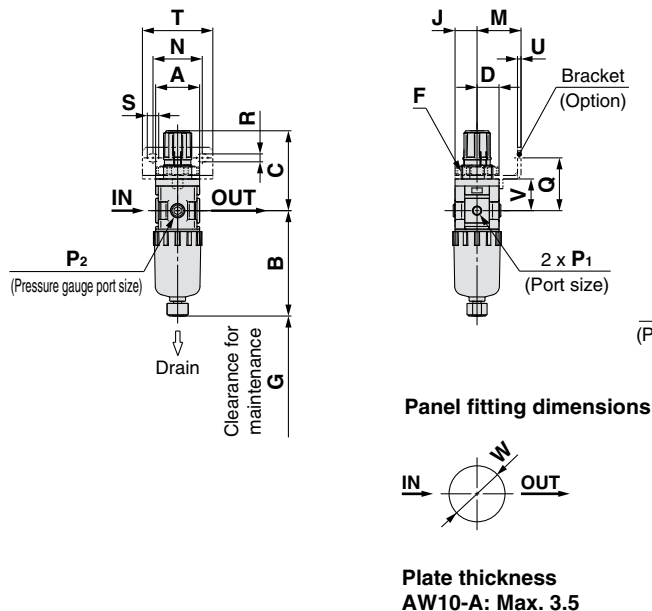
When the inlet pressure is higher than the regulating pressure, the check valve ② closes and operates as a normal regulator (Figure 1). When the inlet pressure is shut off and released, the check valve ② opens and the pressure in the diaphragm chamber ① is released into the inlet side (Figure 2). This lowers the pressure in the diaphragm chamber ① and the force generated by the pressure regulator spring ③ lifts the diaphragm. The valve ④ opens through the stem, and the outlet pressure is released to the inlet side (Figure 2).

AC
AF+AR+AL
AW+AL
AF+AR
AF+AFM+AR
AW+AFM
Attachment
AF
AFM/AFD
AR
AL
AW

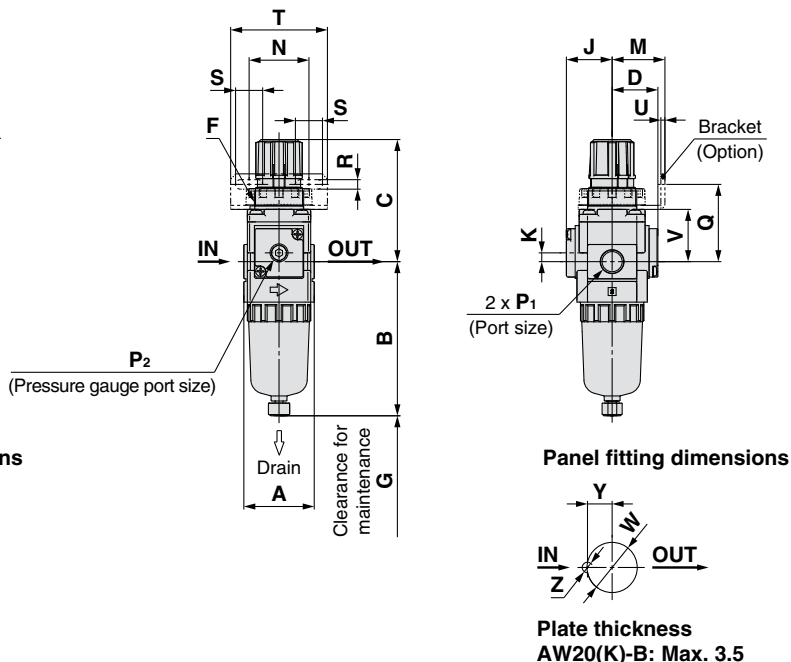
Series AW210-A
Series AW20-B to AW60-B
Series AW20K-B to AW60K-B

Dimensions

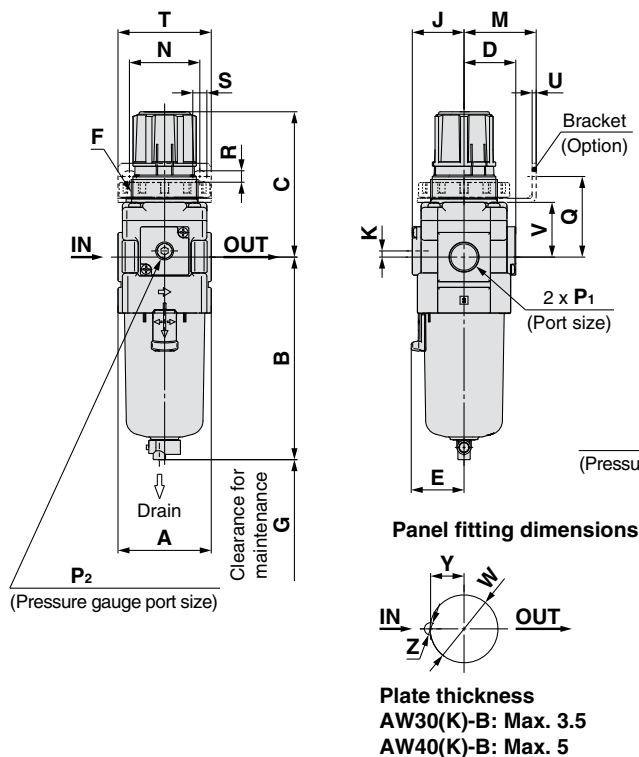
AW10-A



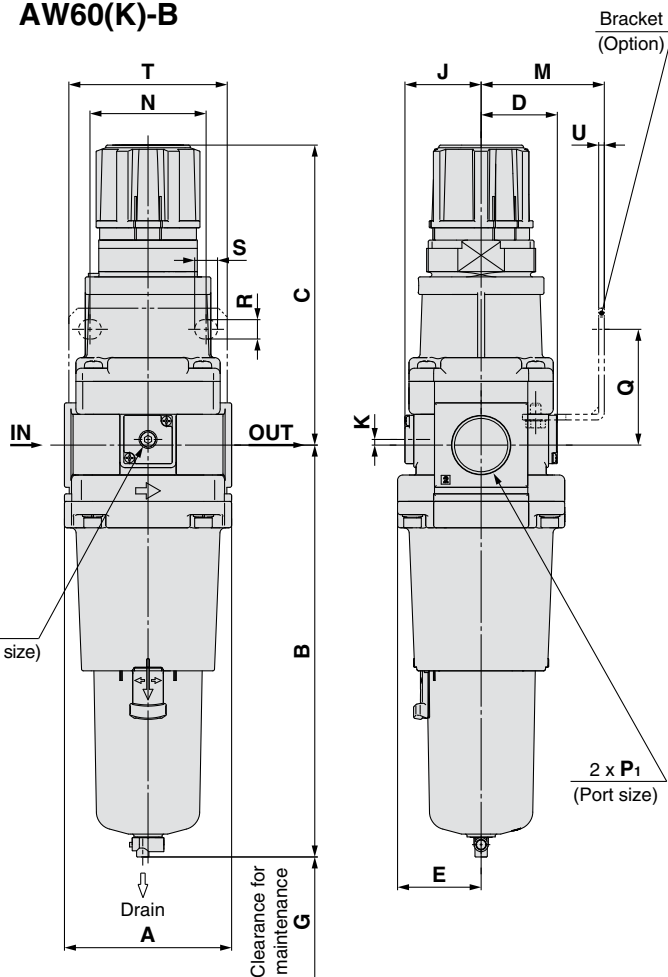
AW20(K)-B



AW30(K)-B to AW40(K)-06-B

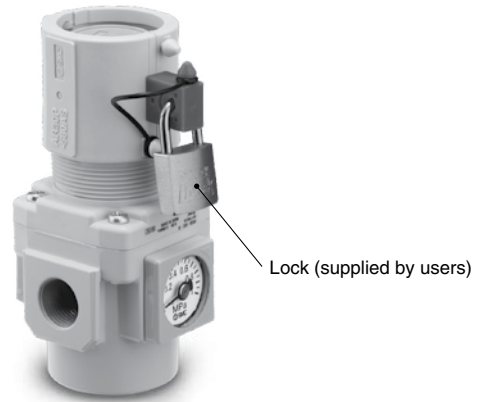
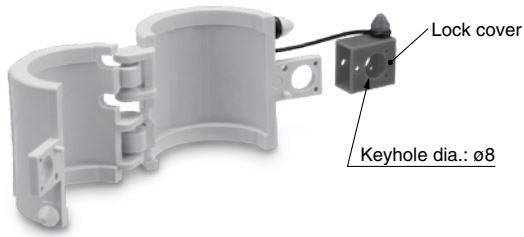


AW60(K)-B



Option Knob Cover


Prevents careless knob operation.





Part no.	Applicable model
AR20P-580AS	AC20□-B, AR20(K)-B, AW20(K)-B
AR25P-580AS	AC25□-B, AR25(K)-B
AR30P-580AS	AC30□-B, AR30(K)-B, AW30(K)-B
AR40P-580AS	AC40□(-06)-B, AR40(K)(-06)-B, AW40(K)(-06)-B

Safety Instructions

These safety instructions are intended to prevent hazardous situations and/or equipment damage. These instructions indicate the level of potential hazard with the labels of “**Caution**,” “**Warning**” or “**Danger**.” They are all important notes for safety and must be followed in addition to International Standards (ISO/IEC)*1), and other safety regulations.

 **Caution:** **Caution** indicates a hazard with a low level of risk which, if not avoided, could result in minor or moderate injury.

 **Warning:** **Warning** indicates a hazard with a medium level of risk which, if not avoided, could result in death or serious injury.

 **Danger :** **Danger** indicates a hazard with a high level of risk which, if not avoided, will result in death or serious injury.

- *1) ISO 4414: Pneumatic fluid power – General rules relating to systems.
ISO 4413: Hydraulic fluid power – General rules relating to systems.
IEC 60204-1: Safety of machinery – Electrical equipment of machines.
(Part 1: General requirements)
ISO 10218-1: Manipulating industrial robots – Safety.
etc.

Warning

1. The compatibility of the product is the responsibility of the person who designs the equipment or decides its specifications.

Since the product specified here is used under various operating conditions, its compatibility with specific equipment must be decided by the person who designs the equipment or decides its specifications based on necessary analysis and test results. The expected performance and safety assurance of the equipment will be the responsibility of the person who has determined its compatibility with the product. This person should also continuously review all specifications of the product referring to its latest catalog information, with a view to giving due consideration to any possibility of equipment failure when configuring the equipment.

2. Only personnel with appropriate training should operate machinery and equipment.

The product specified here may become unsafe if handled incorrectly. The assembly, operation and maintenance of machines or equipment including our products must be performed by an operator who is appropriately trained and experienced.

3. Do not service or attempt to remove product and machinery/equipment until safety is confirmed.

1. The inspection and maintenance of machinery/equipment should only be performed after measures to prevent falling or runaway of the driven objects have been confirmed.
2. When the product is to be removed, confirm that the safety measures as mentioned above are implemented and the power from any appropriate source is cut, and read and understand the specific product precautions of all relevant products carefully.
3. Before machinery/equipment is restarted, take measures to prevent unexpected operation and malfunction.

4. Contact SMC beforehand and take special consideration of safety measures if the product is to be used in any of the following conditions.

1. Conditions and environments outside of the given specifications, or use outdoors or in a place exposed to direct sunlight.
2. Installation on equipment in conjunction with atomic energy, railways, air navigation, space, shipping, vehicles, military, medical treatment, combustion and recreation, or equipment in contact with food and beverages, emergency stop circuits, clutch and brake circuits in press applications, safety equipment or other applications unsuitable for the standard specifications described in the product catalog.
3. An application which could have negative effects on people, property, or animals requiring special safety analysis.
4. Use in an interlock circuit, which requires the provision of double interlock for possible failure by using a mechanical protective function, and periodical checks to confirm proper operation.

Caution

1. The product is provided for use in manufacturing industries.

The product herein described is basically provided for peaceful use in manufacturing industries.

If considering using the product in other industries, consult SMC beforehand and exchange specifications or a contract if necessary.

If anything is unclear, contact your nearest sales branch.

Limited warranty and Disclaimer/ Compliance Requirements

The product used is subject to the following “Limited warranty and Disclaimer” and “Compliance Requirements”.

Read and accept them before using the product.

Limited warranty and Disclaimer

1. The warranty period of the product is 1 year in service or 1.5 years after the product is delivered, whichever is first.*2)
Also, the product may have specified durability, running distance or replacement parts. Please consult your nearest sales branch.
2. For any failure or damage reported within the warranty period which is clearly our responsibility, a replacement product or necessary parts will be provided.
This limited warranty applies only to our product independently, and not to any other damage incurred due to the failure of the product.
3. Prior to using SMC products, please read and understand the warranty terms and disclaimers noted in the specified catalog for the particular products.

*2) Vacuum pads are excluded from this 1 year warranty.

A vacuum pad is a consumable part, so it is warranted for a year after it is delivered. Also, even within the warranty period, the wear of a product due to the use of the vacuum pad or failure due to the deterioration of rubber material are not covered by the limited warranty.

Compliance Requirements

1. The use of SMC products with production equipment for the manufacture of weapons of mass destruction (WMD) or any other weapon is strictly prohibited.
2. The exports of SMC products or technology from one country to another are governed by the relevant security laws and regulations of the countries involved in the transaction. Prior to the shipment of a SMC product to another country, assure that all local rules governing that export are known and followed.

Safety Instructions

Be sure to read “Handling Precautions for SMC Products” (M-E03-3) before using.

Caution

SMC products are not intended for use as instruments for legal metrology. Measurement instruments that SMC manufactures or sells have not been qualified by type approval tests relevant to the metrology (measurement) laws of each country. Therefore, SMC products cannot be used for business or certification ordained by the metrology (measurement) laws of each country.

Global Manufacturing, Distribution and Service Network

Worldwide Subsidiaries

EUROPE

AUSTRIA
SMC Pneumatik GmbH (Austria)

BELGIUM
SMC Pneumatics N.V./S.A.

BULGARIA
SMC Industrial Automation Bulgaria EOOD

CROATIA
SMC Industrijska Automatika d.o.o.

CZECH
SMC Industrial Automation CZ s.r.o.

DENMARK
SMC Pneumatik A/S

ESTONIA
SMC Pneumatics Estonia

FINLAND
SMC Pneumatics Finland OY

FRANCE
SMC Pneumatique S.A.

GERMANY
SMC Pneumatik GmbH

GREECE
SMC Hellas EPE

HUNGARY
SMC Hungary Ipari Automatizálási Kft.

IRELAND
SMC Pneumatics (Ireland) Ltd.

ITALY
SMC Italia S.p.A.

LATVIA
SMC Pneumatics Latvia SIA

LITHUANIA
SMC Pneumatics Lietuva, UAB

NETHERLANDS
SMC Pneumatics BV

NORWAY
SMC Pneumatics Norway A/S

POLAND
SMC Industrial Automation Polska Sp.z.o.o.

ROMANIA
SMC Romania S.r.l.

RUSSIA
SMC Pneumatik LLC.

SLOVAKIA
SMC Priemyselna Automatizácia, s.r.o.

SLOVENIA
SMC Industrijska Avtomatika d.o.o.

SPAIN / PORTUGAL
SMC España, S.A.

SWEDEN
SMC Pneumatics Sweden AB

SWITZERLAND
SMC Pneumatik AG

UK
SMC Pneumatics (U.K.) Ltd.

ASIA

CHINA
SMC (China) Co., Ltd.

HONG KONG
SMC Pneumatics (Hong kong) Ltd.

INDIA
SMC Pneumatics (India) Pvt. Ltd.

JAPAN
SMC Corporation

MALAYSIA
SMC Pneumatics (S.E.A.) Sdn. Bhd.

PHILIPPINES
SMC Pneumatics (Philippines), Inc.

SINGAPORE
SMC Pneumatics (S.E.A.) Pte. Ltd.

SOUTH KOREA
SMC Pneumatics Korea Co., Ltd.

TAIWAN
SMC Pneumatics (Taiwan) Co., Ltd.

THAILAND
SMC Thailand Ltd.

NORTH AMERICA

CANADA
SMC Pneumatics (Canada) Ltd.

MEXICO
SMC Corporation (Mexico) S.A. DE C.V.

USA
SMC Corporation of America

SOUTH AMERICA

ARGENTINA
SMC Argentina S.A.

BOLIVIA
SMC Pneumatics Bolivia S.R.L.

BRAZIL
SMC Pneumaticos do Brazil Ltda.

CHILE
SMC Pneumatics (Chile) S.A.

PERU
SMC Corporation Peru S.A.C.

VENEZUELA
SMC Neumatica Venezuela S.A.

OCEANIA

AUSTRALIA
SMC Pneumatics (Australia) Pty. Ltd.

NEW ZEALAND
SMC Pneumatics (N.Z.) Ltd.

U.S. & Canadian Sales Offices

WEST

Austin
Dallas
Los Angeles
Phoenix
Portland
San Francisco

EAST

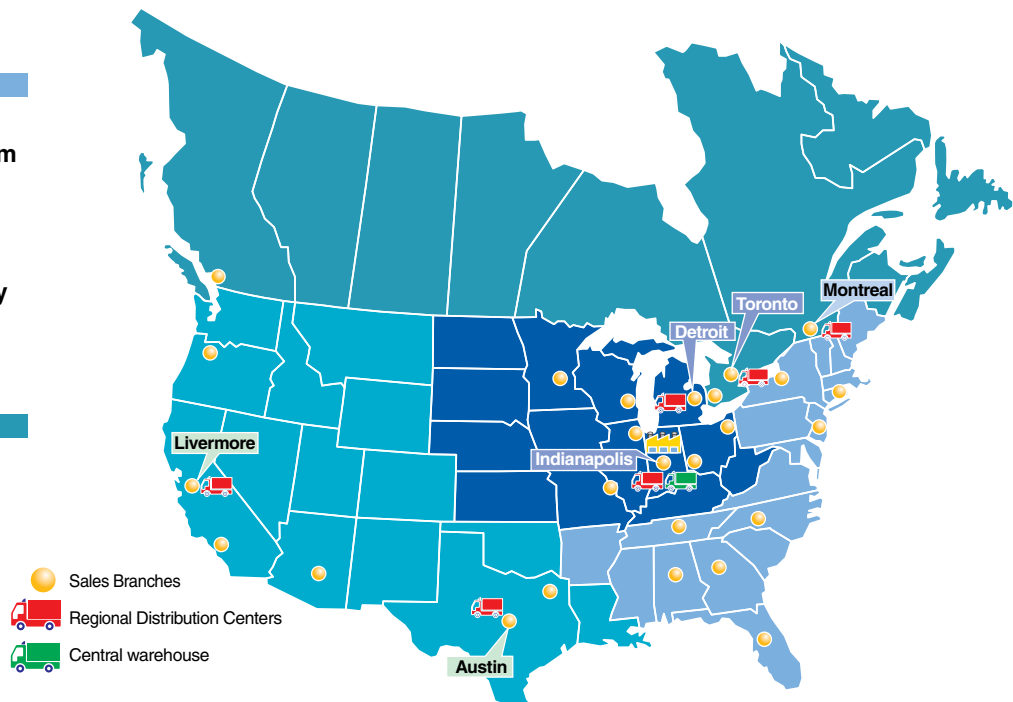
Atlanta
Birmingham
Boston
Charlotte
Nashville
New Jersey
Rochester
Tampa

CENTRAL

Chicago
Cincinnati
Cleveland
Detroit
Indianapolis
Milwaukee
Minneapolis
St. Louis

CANADA

Vancouver
Toronto
Windsor
Montreal



SMC Corporation of America
10100 SMC Blvd., Noblesville, IN 46060
www.smcusa.com

SMC Pneumatics (Canada) Ltd.
www.smc Pneumatics.ca

(800) SMC.SMC1 (762-7621)
e-mail: sales@smcusa.com
International inquiries: www.smcworld.com



New

RoHS

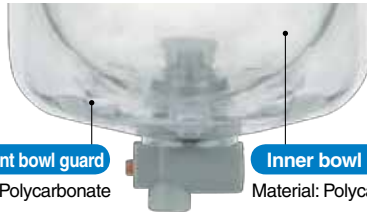
Modular F.R.L. Units

Better visibility and environmental resistance

Double layer design

The bowl is covered with a transparent bowl guard!

- The inside is visible from 360°.
- The bowl is completely protected from the environment. Safety improved



Transparent bowl guard
Material: Polycarbonate

Inner bowl
Material: Polycarbonate

* Body size: 30 or more



Energy saving regulator

Pressure drop: **Max. 50% improvement**

Set pressure: **7.3 to 102 psi (0.05 to 0.7 MPa)**
2.9 to 29 psi (0.02 to 0.2 MPa)

Easy replacement of the element

The element and the bowl are in one piece. Replacement can be done in hand.

Existing model



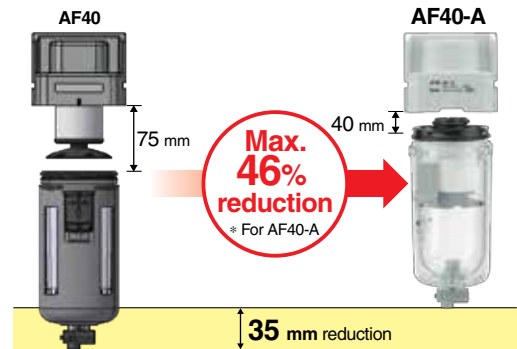
Replacement in hand!

New

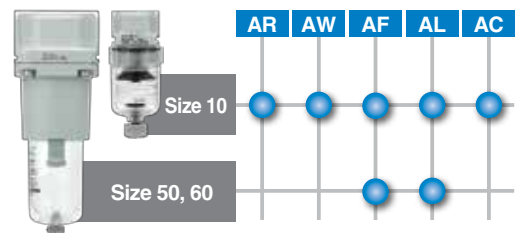


* AF, AW only

Reduced required maintenance space



New Body size 10, 50, 60 added!

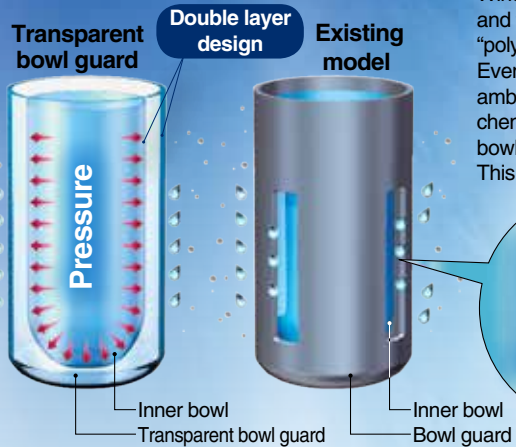


Series AC

SVC
CAT.NAS40-56D

▶ Transparent bowl guard

Better environmental resistance:
Transparent bowl guard can protect the inner bowl!



Windows on the bowl guard are abolished and the inner bowl is covered with "polycarbonate transparent bowl guard". Even when the product is used in an ambient environment where it is exposed to chemicals or oil, which do not stick to the bowl where the internal pressure is applied. This can reduce direct effects on the bowl.

Cracks may occur in a portion where the internal pressure is applied.

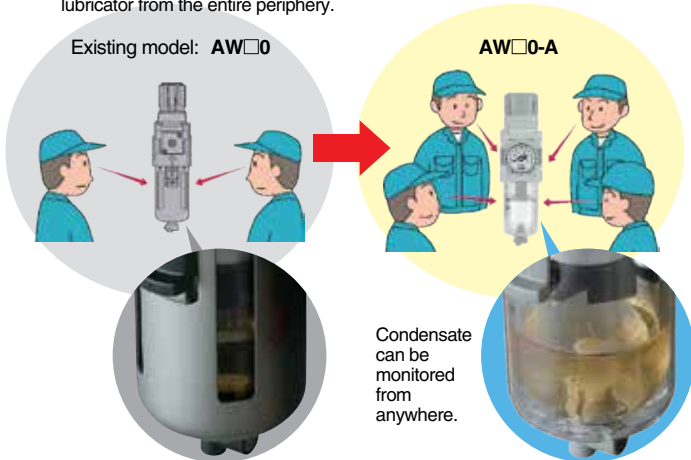
Applicable model

Air Filter AF	Filter Regulator AW
Mist Separator AFM	Lubricator AL
Micro Mist Separator AFD	

* Body size: 30 or more

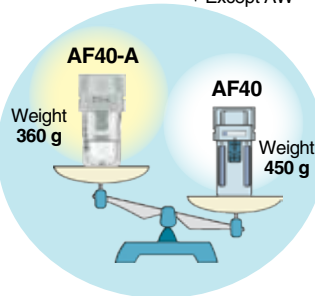
Better visibility: 360°

Use of transparent bowl guard makes it possible to check the condensate inside the filter case and the remaining oil amount in the lubricator from the entire periphery.

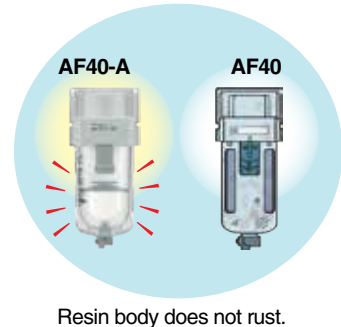


Light weight: Max. 90g reduction

* Except AW



Metal related corrosion does not occur.

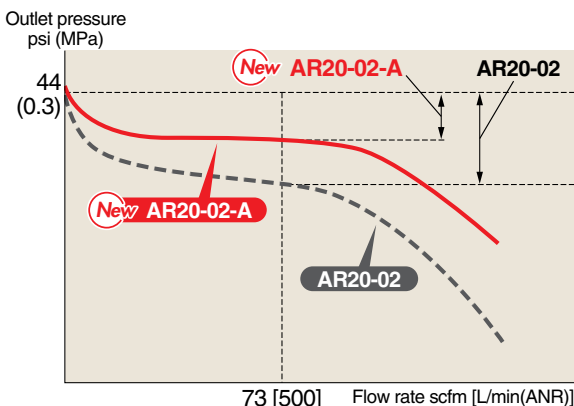


Regulator/AR Filter Regulator/AW



Pressure drop:

Max. 50% improvement



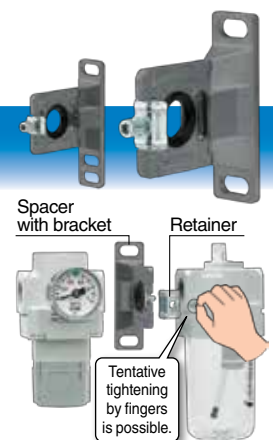
Conditions
 ◆ Inlet pressure: 73 psi (0.5 MPa) ◆ Outlet pressure: 44 psi (0.3 MPa)
 ◆ Flow rate: 17.7 scfm [500 L/min(ANR)]

New Spacer

Modular connection

Step ①

- Mount the product by lining up the mating surface of the new spacer with bracket.
- Insert the retainer into the spacer bolt and tighten the nut. (temporary assembling)

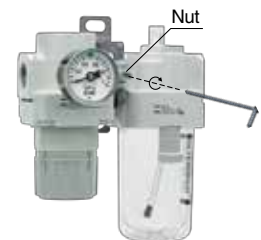


Step ②

- Tighten the nut with the hexagon wrench.


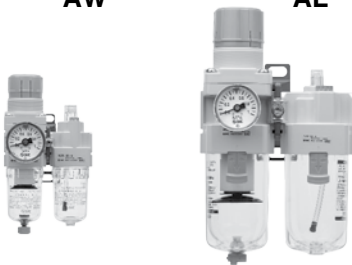


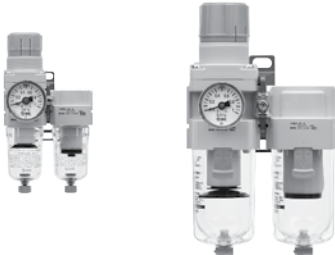
Interchangeable with existing model

- New spacer can be connected to existing AF, AR, AL, AW series.
- Existing spacer cannot be used for new AR □-A, AW□-A series.



Series AC

Series Configuration

Product	Model	Port size						INDEX	
		M5	1/8	1/4	3/8	1/2	3/4		1
<div style="display: flex; justify-content: space-around;"> <div style="text-align: center;"> Air Filter + Regulator + Lubricator AF AR AL  </div> </div>	AC10-A	●						P.7	
	AC20-A		●	●					
	AC25-A			●	●				
	AC30-A			●	●				
	AC40-A			●	●	●			
	AC40-06-A						●		
<div style="display: flex; justify-content: space-around;"> <div style="text-align: center;"> Filter Regulator + Lubricator AW AL  </div> </div>	AC10A-A	●						P.13	
	AC20A-A		●	●					
	AC30A-A			●	●				
	AC40A-A			●	●	●			
	AC40A-06-A						●		
<div style="display: flex; justify-content: space-around;"> <div style="text-align: center;"> Air Filter + Regulator AF AR  </div> </div>	AC10B-A	●						P.17	
	AC20B-A		●	●					
	AC25B-A			●	●				
	AC30B-A			●	●				
	AC40B-A			●	●	●			
	AC40B-06-A						●		
<div style="display: flex; justify-content: space-around;"> <div style="text-align: center;"> Air Filter + Mist Separator + Regulator AF AFM AR  </div> </div>	AC20C-A		●	●				P.21	
	AC25C-A			●	●				
	AC30C-A			●	●				
	AC40C-A			●	●	●			
	AC40C-06-A						●		
<div style="display: flex; justify-content: space-around;"> <div style="text-align: center;"> Filter Regulator + Mist Separator AW AFM  </div> </div>	AC20D-A		●	●				P.25	
	AC30D-A			●	●				
	AC40D-A			●	●	●			
	AC40D-06-A						●		

Air Combination

AC

AF+AR+AL

AW+AL

AF+AR

AF+AFM+AR

AW+AFM

Attachment

AF





AFM / AFD



AR

AL

AW

Series Configuration

Product	Model	Port size							INDEX
		M5	1/8	1/4	3/8	1/2	3/4	1	
Air Filter 	AF10-A	●							P.34
	AF20-A		●	●					
	AF30-A			●	●				
	AF40-A			●	●	●			
	AF40-06-A						●		
	AF50-A						●	●	
	AF60-A							●	
Mist Separator 	AFM20-A		●	●				P.34	
	AFM30-A			●	●				
	AFM40-A			●	●	●			
	AFM40-06-A						●		
Micro Mist Separator 	AFD20-A		●	●				P.34	
	AFD30-A			●	●				
	AFD40-A			●	●	●			
	AFD40-06-A						●		
Regulator 	AR10-A	●						P.54	
	AR20-A		●	●					
	AR25-A			●	●				
	AR30-A			●	●				
	AR40-A			●	●	●			
	AR40-06-A						●		

Product	Model	Port size							INDEX
		M5	1/8	1/4	3/8	1/2	3/4	1	
Lubricator 	AL10-A	●							P.64
	AL20-A		●	●					
	AL30-A			●	●				
	AL40-A			●	●	●			
	AL40-06-A						●		
	AL50-A						●	●	
	AL60-A							●	
Filter Regulator 	AW10-A	●						P.72	
	AW20-A		●	●					
	AW30-A			●	●				
	AW40-A			●	●	●			
	AW40-06-A						●		

Simple Specials System

A system designed to respond quickly and easily to your special ordering needs

Simple
Specials
System

Short lead times

This system enables us to respond to your special needs, such as additional machining, accessory assembly, or modular unit, and deliver such special products as quickly as standard products.

Repeat orders

Once we receive a Simple Special part number from your previous order, we will process the order, manufacture the product, and deliver it to you.



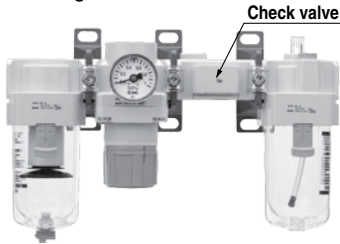
The simple specials specification sheets can be downloaded from SMC website. For details, refer to the SMC website. (<http://www.smcworld.com>)

Attachment List

Check valve

Page 28

■ A check valve with intermediate branch port can be easily installed to prevent a backflow of lubricant when branching the air flow and releasing the air on the outlet side of the regulator.



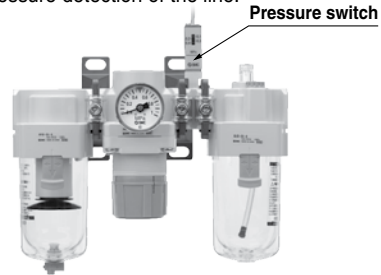
Applicable

- Air Filter + Regulator + Lubricator (AC20-A to AC40-A)
- Filter Regulator + Lubricator (AC20A-A to AC40A-A)
- * Port size: Except 06

Pressure switch

Page 29

■ A compact integrated pressure switch can be easily installed and facilitates the pressure detection of the line.



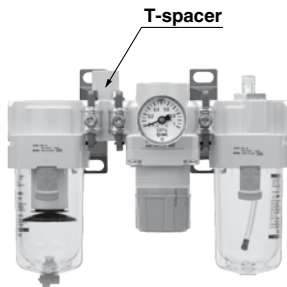
Applicable

- Air Filter + Regulator + Lubricator (AC20-A to AC40-A)
- Filter Regulator + Lubricator (AC20A-A to AC40A-A)
- Air Filter + Regulator (AC20B-A to AC40B-A)
- Air Filter + Mist Separator + Regulator (AC20C-A to AC40C-A)
- Filter Regulator + Mist Separator (AC20D-A to AC40D-A)

T-spacer

Page 29

■ Using a T-shaped spacer facilitates the branching of air flow.



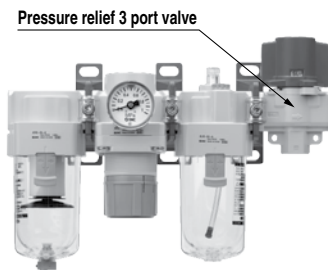
Applicable

- Air Filter + Regulator + Lubricator (AC10-A to AC40-A)
- Air Filter + Regulator (AC10B-A to AC40B-A)
- Air Filter + Mist Separator + Regulator (AC20C-A to AC40C-A)

Pressure relief 3 port valve

Page 30

■ With the use of a pressure relief 3 port valve, pressure left in the line can be easily exhausted.



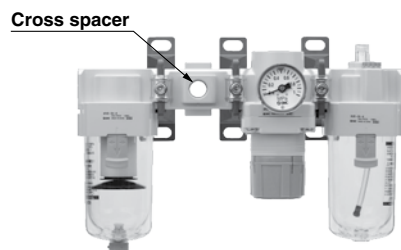
Applicable

- Air Filter + Regulator + Lubricator (AC20-A to AC40-A)
- Filter Regulator + Lubricator (AC20A-A to AC40A-A)
- Air Filter + Regulator (AC20B-A to AC40B-A)
- Air Filter + Mist Separator + Regulator (AC20C-A to AC40C-A)
- Filter Regulator + Mist Separator (AC20D-A to AC40D-A)

Cross spacer

Page 30

■ Piping are possible in all 4 directions.

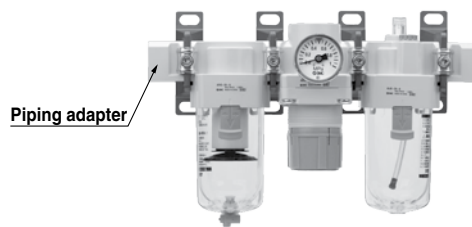


* Needs to be ordered separately.

Piping adapter

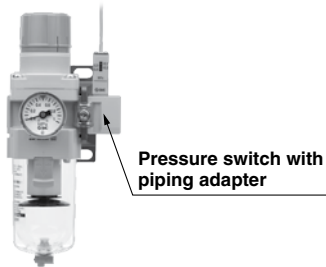
Page 31

■ A piping adapter allows installation/removal of the component without removing the piping and thus makes maintenance easier.



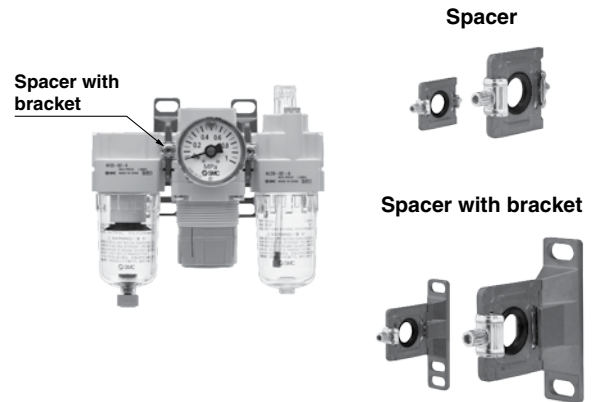
* Needs to be ordered separately.

Pressure switch with piping adapter **Page 31**



* Needs to be ordered separately.

Accessories (Spacer/Spacer with bracket) **Page 32**



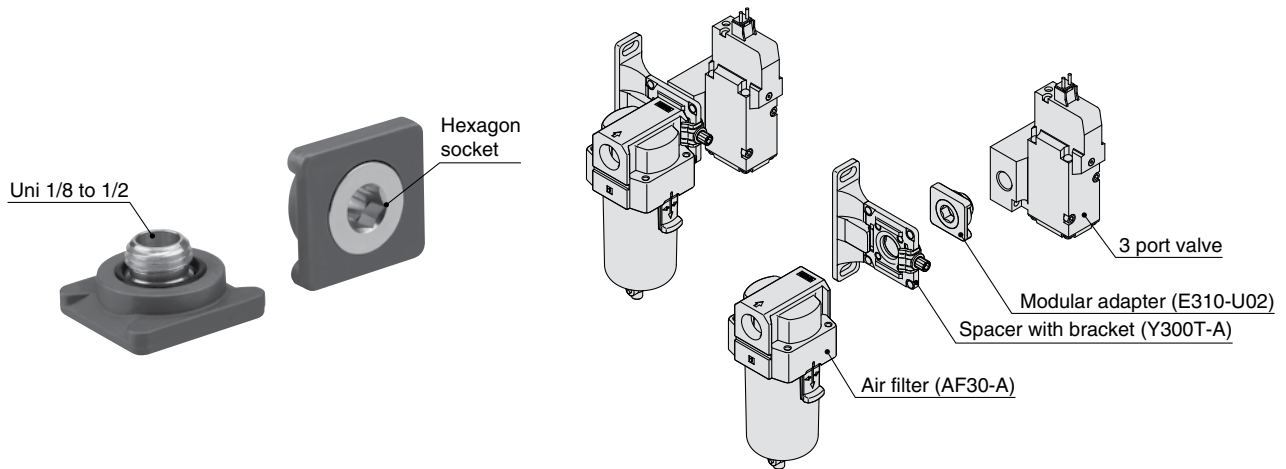
* Needs to be ordered separately.

Related Product

Modular adapter

Easy modular connections for all equipment!

Example) Air filter + 3 port valve



AC

AF+AR+AL

AW+AL

AF+AR

AF+AFM+AR

AW+AFM

Attachment

AF

AFM / AFD

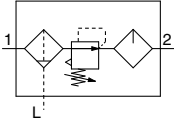
AR

AL

AW

Air Filter + Regulator + Lubricator AC10-A to AC40-A

Symbol



How to Order

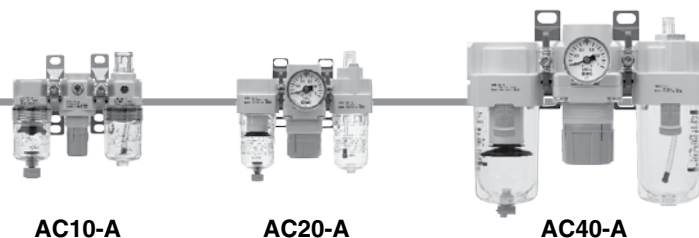
AC **30** - **03** **DG** - - - **A**

① ② ③ ④ ⑤ ⑥

- Option/Semi-standard: Select one each for a to m.
- Option/Attachment/Semi-standard symbol: When more than one specification is required, indicate in alphanumeric order.
Example) AC30-F03DM-KSTV-13NR-A

	Symbol	Description	①					
			Body size					
			10	20	25	30	40	
②	Pipe thread type	Nil	Metric thread (M5)					
		Rc	●	—	—	—	—	
		N ^{Note 1)}	NPT	—	●	●	●	●
		F ^{Note 2)}	G	—	●	●	●	●
③	Port size	M5	●	—	—	—	—	
		01	—	●	—	—	—	
		02	—	●	●	●	●	
		03	—	—	●	●	●	
		04	—	—	—	—	●	
		06	—	—	—	—	●	
④	a	Nil	●	●	●	●	●	
		C ^{Note 4)}	●	●	●	●	●	
		D ^{Note 5)}	—	—	●	●	●	
	b	Nil	●	●	●	●	●	
		G	●	—	—	—	—	
		M	—	●	●	●	●	
⑤	c	Nil	●	●	●	●	●	
		K	—	●	●	●	● ^{Note 7)}	
	d	Nil	●	●	●	●	●	
		S ^{Note 8)}	—	●	●	●	●	
	e	Nil	●	●	●	●	●	
		T ^{Note 8)}	●	●	●	●	●	
f	Nil	●	●	●	●	●		
	V	—	●	●	●	●		
⑥	g	Nil	●	●	●	●	●	
		1	●	●	●	●	●	
	h	Nil	●	●	●	●	●	
		2	●	●	●	●	●	
		6	●	●	●	●	●	
		8	—	—	●	●	●	
C		—	●	— ^{Note 11)}	— ^{Note 11)}	— ^{Note 11)}		
6C		—	●	— ^{Note 12)}	— ^{Note 12)}	— ^{Note 12)}		

Air Combination Series AC10-A to AC40-A



	Symbol	Description	① Body size				
			10	20	25	30	40
⑥ Semi-standard	i	Nil	With drain cock				
		J Note 14	Drain guide 1/8				
			Drain guide 1/4				
		W Note 15	Drain cock with barb fitting (for ø6 x ø4 nylon tube)				
	+						
	j	Nil	Without drain cock				
		3 Note 16	Lubricator with drain cock				
	+						
	k	Nil	Relieving type				
		N	Non-relieving type				
	+						
	l	Nil	Flow direction: Left to right				
R		Flow direction: Right to left					
+							
m	Nil	Name plate and pressure gauge in imperial units: MPa					
	Z Note 17	Name plate, caution plate for bowl, and pressure gauge in imperial units: psi, °F					
			●	●	●	●	●
			○ Note 18	○ Note 18	○ Note 18	○ Note 18	○ Note 18

- Note 1) Drain guide is NPT1/8 (applicable to the AC20-A) and NPT1/4 (applicable to the AC25-A to AC40-A). The auto drain port comes with ø3/8" One-touch fitting (applicable to the AC25-A to AC40-A).
- Note 2) Drain guide is G1/8 (applicable to the AC20-A) and G1/4 (applicable to the AC25-A to AC40-A).
- Note 3) Option G, M are not assembled and supplied loose at the time of shipment.
- Note 4) When pressure is not applied, condensate which does not start the auto drain mechanism will be left in the bowl. Releasing the residual condensate before ending operations for the day is recommended.
- Note 5) If the compressor is small (0.75 kW, discharge flow is less than 3.5 scfm (100 L/min[ANR]), air

- Note 6) When the pressure gauge is attached, a 145 psi (145 psi [1.0 MPa]) pressure gauge will be fitted for standard (102 psi [0.7 MPa]) type. 58 psi (0.4 MPa) pressure gauge for 29 psi (0.2 MPa) type (145 psi [1.0 MPa]) pressure gauge only for the AC10-A).
- Note 7) Not available with piping port size: 06
- Note 8) The bracket position varies depending on the T-spacer or pressure switch mounting.
- Note 9) Pressure can be set higher than the specification pressure in some cases, but use pressure within the specification range.
- Note 10) Refer to Chemical data on page 38 for chemical resistance of the bowl.
- Note 11) A bowl guard is provided as standard equipment (polycarbonate).

- Note 12) A bowl guard is provided as standard equipment (nylon).
- Note 13) Float type auto drain: The combination of C and D is not possible.
- Note 14) Without a valve function
- Note 15) The combination of metal bowl: 2 and 8 is not available.
- Note 16) When choosing with W: Filter drain port, the drain cock of a lubricator will be with barb fittings.
- Note 17) For pipe thread type: M5, NPT. This product is for overseas use only according to the new Measurement Law. (The SI unit type is provided for use in Japan.) MPa and psi are shown together on the pressure unit. Cannot be used with M: Round pressure gauge (with color zone). Available by request for special.
- Note 18) ○: For pipe thread type: M5, NPT only

Standard Specifications

Model	AC10-A	AC20-A	AC25-A	AC30-A	AC40-A	AC40-06-A	
Component	Air Filter [AF]	AF10-A	AF20-A	AF30-A	AF30-A	AF40-A	AF40-06-A
	Regulator [AR]	AR10-A	AR20-A	AR25-A	AR30-A	AR40-A	AR40-06-A
	Lubricator [AL]	AL10-A	AL20-A	AL30-A	AL30-A	AL40-A	AL40-06-A
Port size	M5 x 0.8	1/8, 1/4	1/4, 3/8	1/4, 3/8	1/4, 3/8, 1/2	3/4	
Pressure gauge port size [AR]	1/16	1/8					
Fluid	Air						
Ambient and fluid temperature	23 to 140°F (-5 to 60°C) (with no freezing)						
Proof pressure	218 psi (1.5 MPa)						
Max. operating pressure	145 psi (1.0 MPa)						
Set pressure range [AR]	7.3 to 102 psi (0.05 to 0.7 MPa)						
Nominal filtration rating [AF]	5 µm						
Recommended lubricant [AL]	Class 1 turbine oil (ISO VG32)						
Bowl material [AF/AL]	Polycarbonate						
Bowl guard [AF/AL]	—	Semi-standard (Steel)	Standard (Polycarbonate)				
Construction [AR]	Relieving type						
Weight (kg)	0.27	0.40	0.68	0.83	1.53	1.66	

AC
AF+AR+AL
AW+AL
AF+AR
AF+AFM+AR
AW+AFM
AF
AFM / AFD
AR
AL
AW

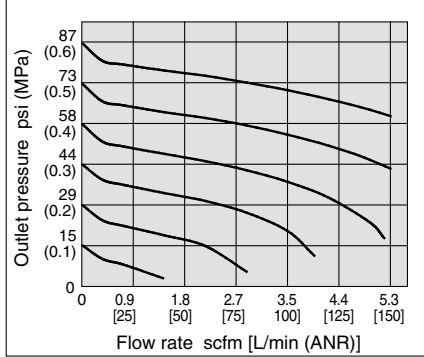
Series AC10-A to AC40-A

Flow-rate Characteristics (Representative values)

Condition: Inlet pressure 102 psi (0.7 MPa)

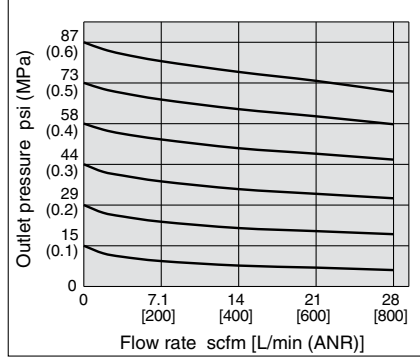
AC10-A

M5 x 0.8



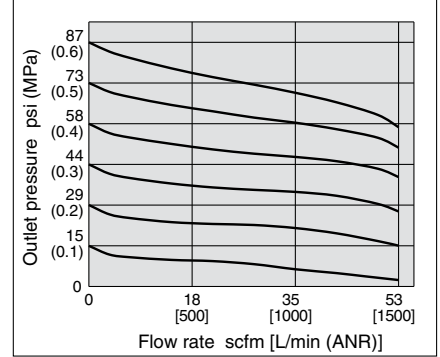
AC20-A

Rc1/4



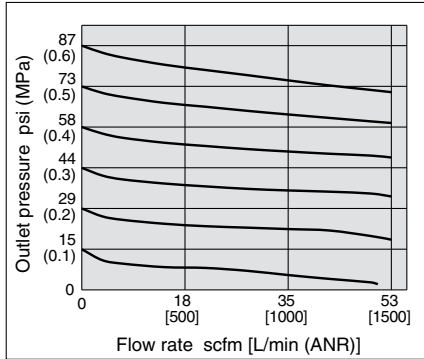
AC25-A

Rc3/8



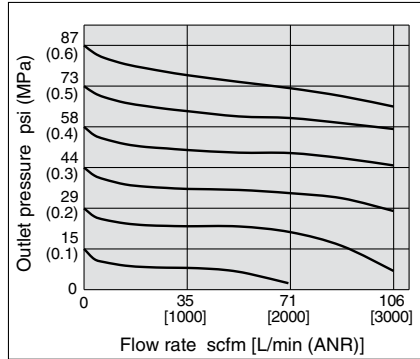
AC30-A

Rc3/8



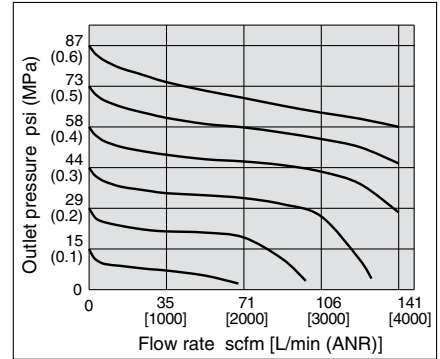
AC40-A

Rc1/2



AC40-06-A

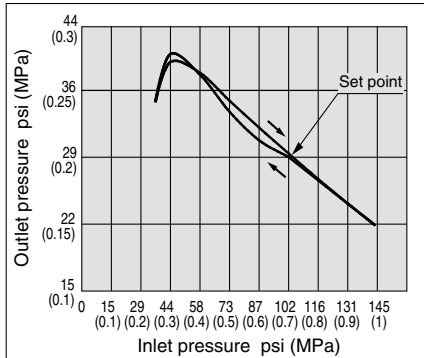
Rc3/4



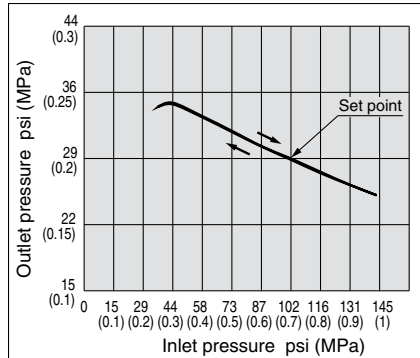
Pressure Characteristics (Representative values)

Conditions: Inlet pressure 102 psi (0.7 MPa), Outlet pressure 29 psi (0.2 MPa), Flow rate 0.71 [scfm 20 L/min] (ANR)

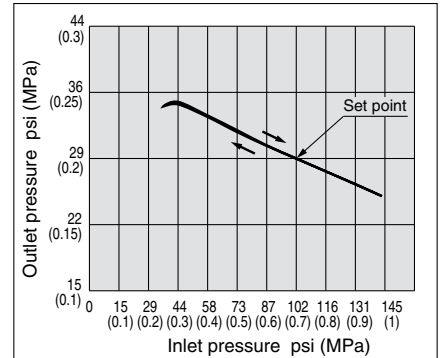
AC10-A



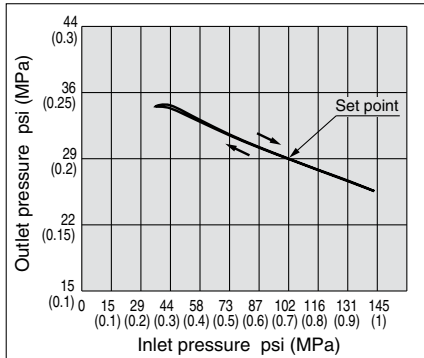
AC20-A



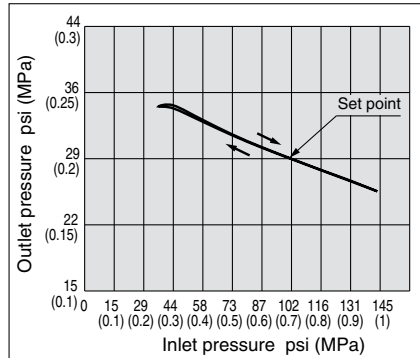
AC25-A



AC30-A



AC40-A/AC40-06-A



⚠ Specific Product Precautions

Be sure to read this before handling. Refer to the back cover for Safety Instructions, "Handling Precautions for SMC Products" and the Operation Manual for F.R.L. Precautions, <http://www.smcworld.com>

Piping

⚠ Warning

- When mounting a check valve, make sure the arrow (IN side) points in the correct direction of air flow.

Air Supply

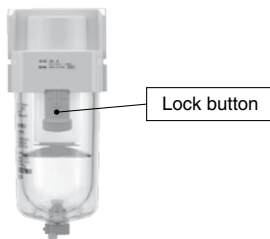
⚠ Caution

- Use an air filter with 5 μm or less filtration rating on the inlet side of the valve to avoid any damage to the seat caused by dust when mounting a pressure relief 3 port valve on the inlet side.

Mounting/Adjustment

⚠ Caution

- When the bowl is installed on the air filter, filter regulator, lubricator, mist separator, or micro mist separator (AC25-A to AC40-A), install them so that the lock button lines up to the groove of the front (or the back) of the body to avoid drop or damage of the bowl.



Selection

⚠ Warning

- Float type auto drain
 - Operate under the following conditions to avoid malfunction.
 - <N.O. type>
 - Operating compressor: 0.75 kW (3.5 scfm [100 L/min] (ANR)) or more.
 - When using 2 or more auto drains, multiply the value above by the number of auto drains to find the capacity of the compressors you will need.
 - For example, when using 2 auto drains, 1.5 kW (7.1 scfm [200 L/min] (ANR)) of the compressor capacity is required.
 - Operating pressure: 15 psi (0.1 MPa) or more
 - <N.C. type>
 - Operating pressure for AD27-A: 15 psi (0.1 MPa) or more
 - Operating pressure for AD37-A/AD47-A: 22 psi (0.15 MPa) or more
- When a pressure release 3 port valve is mounted on the inlet side of the regulator or filter regulator, the residual pressure can be released to the inlet side. However, if the set pressure is 22 psi (0.15 MPa) or less, the residual pressure may not be released. When using the pressure release 3 port valve at a set pressure level of 22 psi (0.15 MPa) or less, it is recommended to use a regulator with backflow function.

⚠ Caution

- When releasing air at the intermediate position using a T-spacer on the inlet side of the lubricator, lubricant may back flow. Therefore, releasing air that does not contain traces of lubricant is not possible. To release air that does not contain traces of lubricant, use a check valve (Series AKM) on the inlet side of the lubricator to prevent a backflow of the lubricant.
- If a pressure relief 3 port valve is mounted on the inlet side of the lubricator, causing a backflow of air, it can result in a backflow of oil or damage to internal parts. Do not use it in this fashion.
- An F.R.L. unit shipped from the plant has its model number labeled. However, components that are combined together during the distribution process do not have a label on them.

AC

AF+AR+AL

AW+AL

AF+AR

AF+AFM+AR

AW+AFM

Attachment

AF

AFM / AFD

AR

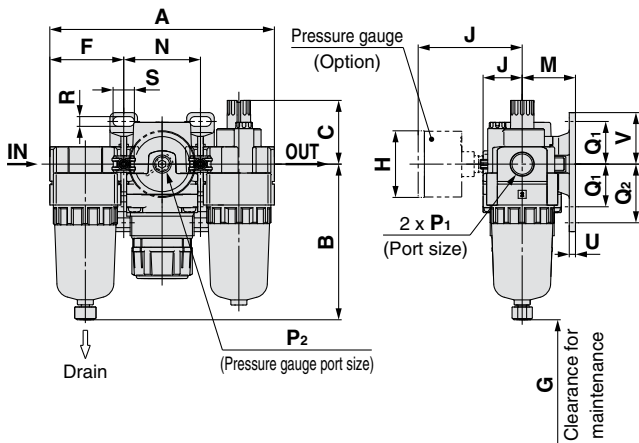
AL

AW

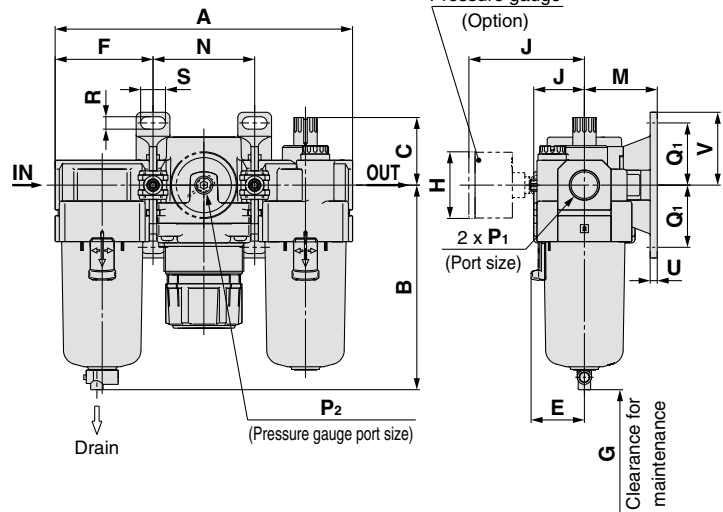
Series AC10-A to AC40-A

Dimensions

AC10-A/AC20-A



AC25-A to AC40-06-A



Applicable model	AC10-A/AC20-A		AC20-A		AC25-A to AC40-06-A
Optional/Semi-standard specifications	With auto drain (N.C.)	Metal bowl	With drain guide	Metal bowl with drain guide	With auto drain (N.O./N.C.)
Dimensions					

Applicable model	AC25-A to AC40-06-A					
Optional/Semi-standard specifications	Metal bowl	Metal bowl with drain guide	Metal bowl with level gauge	Metal bowl with level gauge, with drain guide	With drain guide	Drain cock with barb fitting
Dimensions						

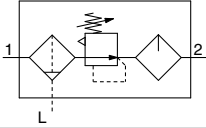
Model	Standard specifications																
	P ₁	P ₂	A	B	C	E	F	G	J	Bracket mount							
										M	N	Q ₁	Q ₂	R	S	U	V
AC10-A	M5 x 0.8	1/16	87	59.9	25.5	—	28	35	12.5	25	31	20	27	4.5	6.8	3	24.5
AC20-A	1/8, 1/4	1/8	126.4	87.6	35.9	—	41.6	60	23.4	30	43.2	24	33	5.5	12	3.5	29
AC25-A	1/4, 3/8	1/8	167.4	115.1	38.1	30	55.1	80	30.5	41	57.2	35	—	7	14	4	41
AC30-A	1/4, 3/8	1/8	167.4	115.1	38.1	30	55.1	80	30.5	41	57.2	35	—	7	14	4	41
AC40-A	1/4, 3/8, 1/2	1/8	220.4	147.1	39.8	38.4	72.6	110	36.1	50	75.2	40	—	9	18	5	48
AC40-06-A	3/4	1/8	235.4	149.1	37.8	38.4	77.6	110	39.6	50	80.2	40	—	9	18	5	48

Model	Optional specifications				Semi-standard specifications							
	Round type pressure gauge	Round type pressure gauge (with color zone)	With auto drain	With barb fitting	With drain guide	Metal bowl	Metal bowl with drain guide	Metal bowl with level gauge	Metal bowl with level gauge, with drain guide			
	H	J	H	J	B	B	B	B	B			
AC10-A	ø26	26	—	—	77.9	—	—	59.3	—			
AC20-A	ø37.5	58.5	ø37.5	59.5	104.9	—	91.4	87.4	93.9			
AC25-A	ø37.5	58.5	ø37.5	59.5	156.8	123.6	121.9	117.6	122.1			
AC30-A	ø37.5	65	ø37.5	66	156.8	123.6	121.9	117.6	122.1			
AC40-A	ø42.5	72	ø42.5	72	186.9	155.6	153.9	149.6	154.1			
AC40-06-A	ø42.5	72	ø42.5	72	188.9	157.6	155.9	151.6	156.1			

Filter Regulator + Lubricator

AC10A-A to AC40A-A

Symbol



How to Order

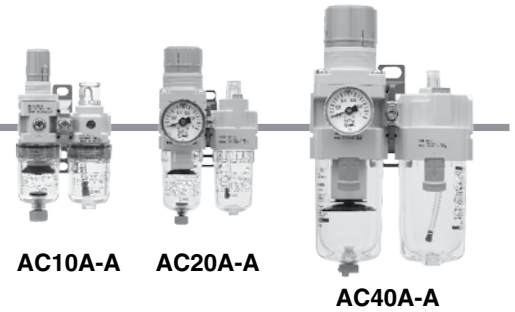
AC **30** A- **03** **DG** - - - A

① ② ③ ④ ⑤ ⑥

- Option/Semi-standard: Select one each for a to l.
- Option/Attachment/Semi-standard symbol: When more than one specification is required, indicate in alphanumeric order.
Example) AC30A-F03DM-KSV-13NR-A

		Symbol	Description	①				
				Body size				
				10	20	30	40	
②	Pipe thread type	Nil	Metric thread (M5)	●	—	—	—	
		Rc		—	●	●	●	
		N <small>Note 1)</small>	NPT	—	●	●	●	
		F <small>Note 2)</small>	G	—	●	●	●	
+								
③	Port size	M5	M5	●	—	—	—	
		01	1/8	—	●	—	—	
		02	1/4	—	●	●	●	
		03	3/8	—	—	●	●	
		04	1/2	—	—	—	●	
		06	3/4	—	—	—	●	
+								
④	a	Nil	Without auto drain	●	●	●	●	
		C <small>Note 4)</small>	N.C. (Normally closed) Drain port is closed when pressure is not applied.	●	●	●	●	
		D <small>Note 5)</small>	N.O. (Normally open) Drain port is open when pressure is not applied.	—	—	●	●	
	+							
	b	Pressure gauge <small>Note 6)</small>	Nil	Without pressure gauge	●	●	●	●
			G	Round type pressure gauge (without limit indicator)	●	—	—	—
M			Round type pressure gauge (with color zone)	—	●	●	●	
+								
⑤	c	Nil	Without attachment	●	●	●	●	
		K	Mounting position: AW+K+AL	—	●	●	● <small>Note 7)</small>	
	+							
	d	Nil	Without attachment	●	●	●	●	
		S <small>Note 8)</small>	Mounting position: AW+S+AL	—	●	●	●	
	+							
e	Pressure relief 3 port valve	Nil	Without attachment	●	●	●	●	
		V	Mounting position: AW+AL+V	—	●	●	●	
+								
f	Set pressure <small>Note 9)</small>	Nil	7.3 to 102 psi (0.05 to 0.7 MPa) setting	●	●	●	●	
		1	2.9 to 29 psi (0.02 to 0.2 MPa) setting	●	●	●	●	
+								
⑥	g	Nil	Polycarbonate bowl	●	●	●	●	
		2	Metal bowl	●	●	●	●	
		6	Nylon bowl	●	●	●	●	
		8	Metal bowl with level gauge	—	—	●	●	
		C	With bowl guard	—	●	— <small>Note 11)</small>	— <small>Note 11)</small>	
		6C	With bowl guard (Nylon bowl)	—	●	— <small>Note 12)</small>	— <small>Note 12)</small>	
+								
h	Filter <small>Note 13)</small> regulator drain port	Nil	With drain cock	●	●	●	●	
		J <small>Note 14)</small>	Drain guide 1/8	—	●	—	—	
		W <small>Note 15)</small>	Drain guide 1/4	—	—	●	●	
		W <small>Note 15)</small>	Drain cock with barb fitting (for ø6 x ø4 nylon tube)	—	—	●	●	

Air Combination *Series AC10A-A to AC40A-A*



		Symbol	Description	①				
				Body size				
				10	20	30	40	
6	i	Lubricator lubricant exhaust port	Nil	Without drain cock	●	●	●	●
			3 <small>Note 16)</small>	Lubricator with drain cock	●	●	●	●
	+							
	j	Exhaust mechanism	Nil	Relieving type	●	●	●	●
			N	Non-relieving type	●	●	●	●
	+							
	k	Flow direction	Nil	Flow direction: Left to right	●	●	●	●
			R	Flow direction: Right to left	●	●	●	●
	+							
	l	Pressure unit	Nil	Name plate and pressure gauge in imperial units: MPa	●	●	●	●
Z <small>Note 17)</small>			Name plate, caution plate for bowl, and pressure gauge in imperial units: psi, °F	○ <small>Note 18)</small>	○ <small>Note 18)</small>	○ <small>Note 18)</small>	○ <small>Note 18)</small>	

- Note 1) Drain guide is NPT1/8 (applicable to the AC20A-A) and NPT1/4 (applicable to the AC30A-A to AC40A-A). The auto drain port comes with ø3/8" One-touch fitting (applicable to the AC30A-A to AC40A-A).
- Note 2) Drain guide is G1/8 (applicable to the AC20A-A) and G1/4 (applicable to the AC30A-A to AC40A-A).
- Note 3) Option G, M are not assembled and supplied loose at the time of shipment.
- Note 4) When pressure is not applied, condensate which does not start the auto drain mechanism will be left in the bowl. Releasing the residual condensate before ending operations for the day is recommended.
- Note 5) If the compressor is small (0.75 kW, discharge flow is less than 3.5 scfm/100 L/min[ANR]), air leakage from the drain cock may occur during start of operations. N.C. type is recommended.

- Note 6) When the pressure gauge is attached, a 145 psi (1.0 MPa) pressure gauge will be fitted for standard (102psi [0.7 MPa]) type. 58 psi [0.4 MPa] pressure gauge for 29 psi (0.2 MPa) type (145 psi [1.0 MPa] pressure gauge only for the AC10A-A).
- Note 7) Not available with piping port size: 06
- Note 8) The bracket position varies depending on the pressure switch mounting.
- Note 9) Pressure can be set higher than the specification pressure in some cases, but use pressure within the specification range.
- Note 10) Refer to Chemical data on page 38 for chemical resistance of the bowl.
- Note 11) A bowl guard is provided as standard equipment (polycarbonate).
- Note 12) A bowl guard is provided as standard equipment (nylon).

- Note 13) Float type auto drain: The combination of C and D is not possible.
- Note 14) Without a valve function
- Note 15) The combination of metal bowl: 2 and 8 is not available.
- Note 16) When choosing with W: Filter regulator drain port, the drain cock of a lubricator will be with barb fitting.
- Note 17) For pipe thread type: M5, NPT. This product is for overseas use only according to the new Measurement Law. (The SI unit type is provided for use in Japan.) MPa and psi are shown together on the pressure unit. Cannot be used with M: Round pressure gauge (with color zone). Available by request for special.
- Note 18) ○: For pipe thread type: M5, NPT only

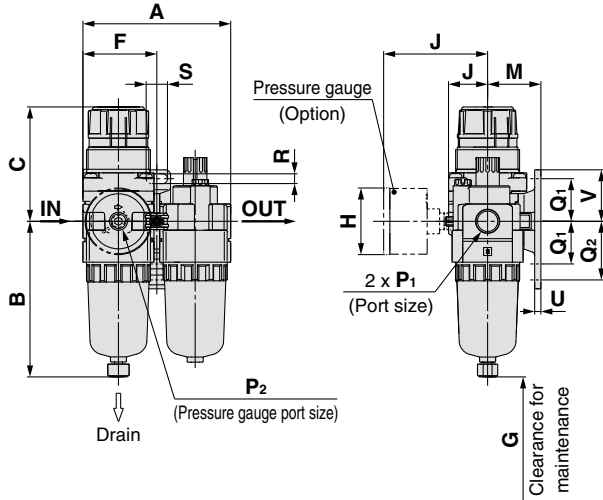
Standard Specifications

Model		AC10A-A	AC20A-A	AC30A-A	AC40A-A	AC40A-06-A
Component	Filter Regulator [AW]	AW10-A	AW20-A	AW30-A	AW40-A	AW40-06-A
	Lubricator [AL]	AL10-A	AL20-A	AL30-A	AL40-A	AL40-06-A
Port size		M5 x 0.8	1/8, 1/4	1/4, 3/8	1/4, 3/8, 1/2	3/4
Pressure gauge port size [AW]		1/16	1/8			
Fluid		Air				
Ambient and fluid temperature		23 to 140°F (-5 to 60°C) (with no freezing)				
Proof pressure		218 psi (1.5 MPa)				
Maximum operating pressure		145 psi (1.0 MPa)				
Set pressure range [AW]		7.3 to 102 psi (0.05 to 0.7 MPa)				
Nominal filtration rating [AW]		5 μm				
Recommended lubricant [AL]		Class 1 turbine oil (ISO VG32)				
Bowl material [AW/AL]		Polycarbonate				
Bowl guard [AW/AL]		—	Semi-standard (Steel)	Standard (Polycarbonate)		
Construction [AW]		Relieving type				
Weight (kg)		0.20	0.34	0.67	1.24	1.35

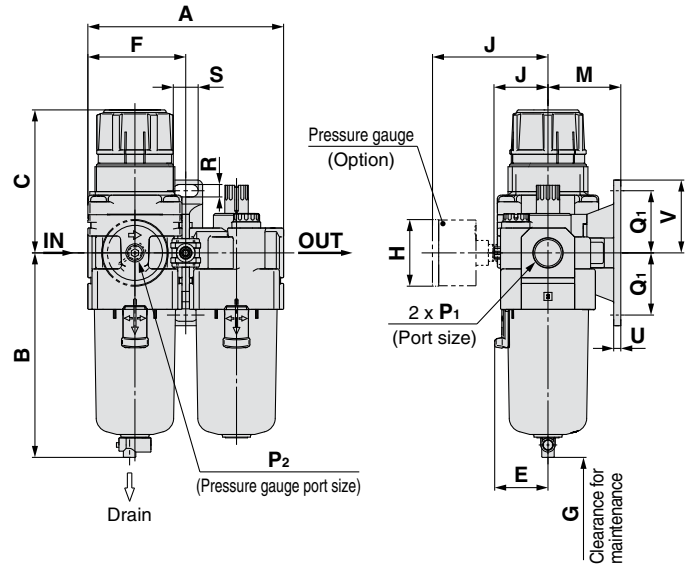
Air Combination **AC10A-A to AC40A-A**

Dimensions

AC10A-A/AC20A-A



AC30A-A to AC40A-06-A



Applicable model	AC10A-A/AC20A-A		AC20A-A		AC30A-A to AC40A-06-A	
Optional/Semi-standard specifications	With auto drain (N.C.)	Metal bowl	With drain guide	Metal bowl with drain guide	With auto drain (N.O./N.C.)	
Dimensions					<p>N.O.: Black N.C.: Gray Thread type/Rc, G: $\phi 10$ One-touch fitting Thread type/NPT: $\phi 3/8"$ One-touch fitting</p>	

Applicable model	AC30A-A to AC40A-06-A					
Optional/Semi-standard specifications	Metal bowl	Metal bowl with drain guide	Metal bowl with level gauge	Metal bowl with level gauge, with drain guide	With drain guide	Drain cock with barb fitting
Dimensions						

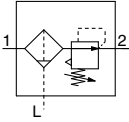
Model	Standard specifications															
	P ₁	P ₂	A	B	C (Note)	E	F	G	J	Bracket mount						
										M	Q ₁	Q ₂	R	S	U	V
AC10A-A	M5 x 0.8	1/16	56	59.9	47.4	—	28	25	12.5	25	20	27	4.5	6.8	3	24.5
AC20A-A	1/8, 1/4	1/8	83.2	87.6	67.4	—	41.6	60	23.4	30	24	33	5.5	12	3.5	29
AC30A-A	1/4, 3/8	1/8	110.2	115.1	83.5	30	55.1	80	30.5	41	35	—	7	14	4	41
AC40A-A	1/4, 3/8, 1/2	1/8	145.2	147.1	100	38.4	72.6	110	36.1	50	40	—	9	18	5	48
AC40A-06-A	3/4	1/8	155.2	149.1	101.5	38.4	77.6	110	39.6	50	40	—	9	18	5	48

Model	Optional specifications						Semi-standard specifications					
	Round type pressure gauge		Round type pressure gauge (with color zone)		With auto drain	With barb fitting	With drain guide	Metal bowl	Metal bowl with drain guide	Metal bowl with level gauge	Metal bowl with level gauge, with drain guide	
	H	J	H	J	B	B	B	B	B	B	B	
AC10A-A	$\phi 26$	26	—	—	77.9	—	—	59.3	—	—	—	
AC20A-A	$\phi 37.5$	58.5	$\phi 37.5$	59.5	104.9	—	91.4	87.4	93.9	—	—	
AC30A-A	$\phi 37.5$	65	$\phi 37.5$	66	156.8	123.6	121.9	117.6	122.1	137.6	142.1	
AC40A-A	$\phi 42.5$	72	$\phi 42.5$	72	186.9	155.6	153.9	149.6	154.1	169.6	174.1	
AC40A-06-A	$\phi 42.5$	72	$\phi 42.5$	72	188.9	157.6	155.9	151.6	156.1	171.6	176.1	

Note) The dimension of C is the length when the filter regulator knob is unlocked.

AC10B-A to AC40B-A

Symbol



How to Order

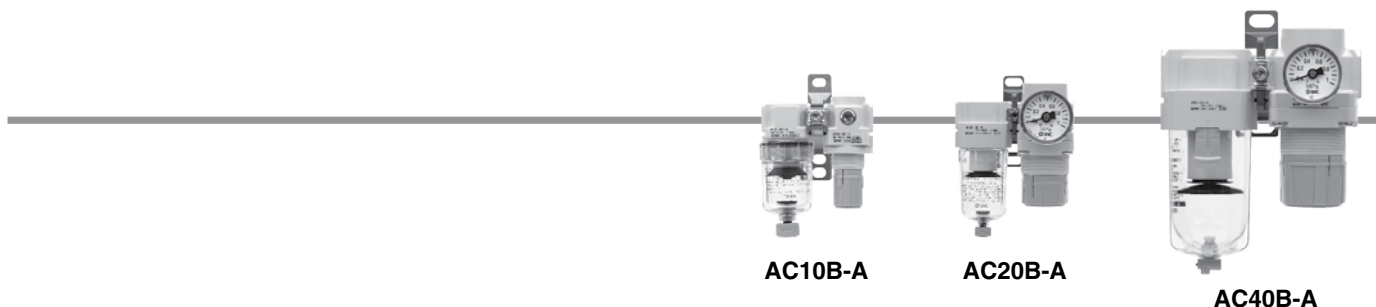
AC **30** B- **03** **DG** - - -A

① ② ③ ④ ⑤ ⑥

- Option/Semi-standard: Select one each for a to j.
- Option/Attachment/Semi-standard symbol: When more than one specification is required, indicate in alphanumeric order.
Example) AC30B-F03DM-SV-1NR-A

	Symbol	Description	①					
			Body size					
			10	20	25	30	40	
②	Pipe thread type	Nil	Metric thread (M5)					
		N <small>Note 1)</small>	Rc					
		F <small>Note 2)</small>	NPT					
			G					
③	Port size	M5	M5					
		01	1/8					
		02	1/4					
		03	3/8					
		04	1/2					
		06	3/4					
④	a	Nil	Without auto drain					
		C <small>Note 4)</small>	N.C. (Normally closed) Drain port is closed when pressure is not applied.					
		D <small>Note 5)</small>	N.O. (Normally open) Drain port is open when pressure is not applied.					
	b	Nil	Without pressure gauge					
		G	Round type pressure gauge (without limit indicator)					
		M	Round type pressure gauge (with color zone)					
⑤	c	Nil	Without attachment					
		S <small>Note 7)</small>	Mounting position: AF+S+AR					
		T <small>Note 7)</small>	Mounting position: AF+T+AR					
	d	Nil	Without attachment					
		V	Mounting position: AF+AR+V					
		V1 <small>Note 8)</small>	Mounting position: V+AF+AR					
⑥	e	Nil	7.3 to 102 psi (0.05 to 0.7 MPa) setting					
		1	2.9 to 29 psi (0.02 to 0.2 MPa) setting					
	f	Bowl <small>Note 10)</small>	Nil	Polycarbonate bowl				
			2	Metal bowl				
			6	Nylon bowl				
			8	Metal bowl with level gauge				
C			With bowl guard					
6C	With bowl guard (Nylon bowl)							
g	Air filter drain port <small>Note 13)</small>	Nil	With drain cock					
		J <small>Note 14)</small>	Drain guide 1/8					
			Drain guide 1/4					
		W <small>Note 15)</small>	Drain cock with barb fitting (for ø6 x ø4 nylon tube)					

Air Combination *Series AC10B-A to AC40B-A*



		Symbol	Description	①					
				Body size					
				10	20	25	30	40	
6	h	Exhaust mechanism	Nil	Relieving type	●	●	●	●	●
			N	Non-relieving type	●	●	●	●	●
	+								
	i	Flow direction	Nil	Flow direction: Left to right	●	●	●	●	●
			R	Flow direction: Right to left	●	●	●	●	●
	+								
j	Pressure unit	Nil	Name plate and pressure gauge in imperial units: MPa	○ Note 17	○ Note 17	○ Note 17	○ Note 17	○ Note 17	
		Z Note 16	Name plate, caution plate for bowl, and pressure gauge in imperial units: psi, °F	○ Note 17	○ Note 17	○ Note 17	○ Note 17	○ Note 17	

- Note 1) Drain guide is NPT1/8 (applicable to the AC20B-A) and NPT1/4 (applicable to the AC25B-A to AC40B-A). The auto drain port comes with ø3/8" One-touch fitting (applicable to the AC25B-A to AC40B-A).
- Note 2) Drain guide is G1/8 (applicable to the AC20B-A) and G1/4 (applicable to the AC25B-A to AC40B-A).
- Note 3) Option G, M are not assembled and supplied loose at the time of shipment.
- Note 4) When pressure is not applied, condensate which does not start the auto drain mechanism will be left in the bowl. Releasing the residual condensate before ending operations for the day is recommended.
- Note 5) If the compressor is small (0.75 kW, discharge flow is less than 3.5 scfm (100 L/min [ANR]), air leakage from the drain cock may occur during start of operations. N.C. type is recommended.
- Note 6) When the pressure gauge is attached, a 145 psi (1.0 MPa) pressure gauge will be fitted for standard (102 psi [0.7 MPa]) type. 58 psi [0.4 MPa] pressure gauge for 29 psi (0.2 MPa) type (145 psi [1.0 MPa] pressure gauge only for the AC10B-A).
- Note 7) The bracket position varies depending on the T-spacer or pressure switch mounting.
- Note 8) Make sure that the outlet pressure is released to atmospheric pressure using a pressure gauge. For V1 specification, use the regulator with a set pressure of 22 psi (0.15 MPa) or more to ensure the pressure release.
- Note 9) Pressure can be set higher than the specification pressure in some cases, but use pressure within the specification range.
- Note 10) Refer to Chemical data on page 38 for chemical resistance of the bowl.
- Note 11) A bowl guard is provided as standard equipment (polycarbonate).
- Note 12) A bowl guard is provided as standard equipment (nylon).
- Note 13) Float type auto drain: The combination of C and D is not possible.
- Note 14) Without a valve function
- Note 15) The combination of metal bowl: 2 and 8 is not available.
- Note 16) For pipe thread type: M5, NPT. This product is for overseas use only according to the new Measurement Law. (The SI unit type is provided for use in Japan.) MPa and psi are shown together on the pressure unit. Cannot be used with M: Round pressure gauge (with color zone). Available by request for special.
- Note 17) ○: For pipe thread type: M5, NPT only

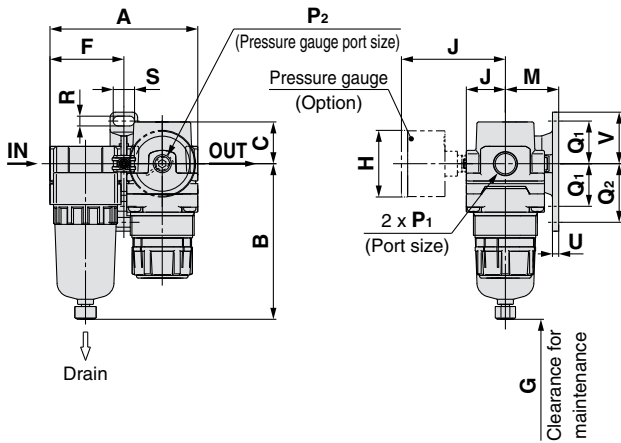
Standard Specifications

Model		AC10B-A	AC20B-A	AC25B-A	AC30B-A	AC40B-A	AC40B-06-A
Component	Air Filter [AF]	AF10-A	AF20-A	AF30-A	AF30-A	AF40-A	AF40-06-A
	Regulator [AR]	AR10-A	AR20-A	AR25-A	AR30-A	AR40-A	AR40-06-A
Port size		M5 x 0.8	1/8, 1/4	1/4, 3/8	1/4, 3/8	1/4, 3/8, 1/2	3/4
Pressure gauge port size [AR]		1/16	1/8				
Fluid		Air					
Ambient and fluid temperature		23 to 140°F (-5 to 60°C) (with no freezing)					
Proof pressure		218 psi (1.5 MPa)					
Maximum operating pressure		145 psi (1.0 MPa)					
Set pressure range [AR]		7.3 to 102 psi (0.05 to 0.7 MPa)					
Nominal filtration rating [AF]		5 μm					
Bowl material [AF]		Polycarbonate					
Bowl guard [AF]		—	Semi-standard (Steel)	Standard (Polycarbonate)			
Construction [AR]		Relieving type					
Weight (kg)		0.16	0.28	0.43	0.58	1.05	1.12

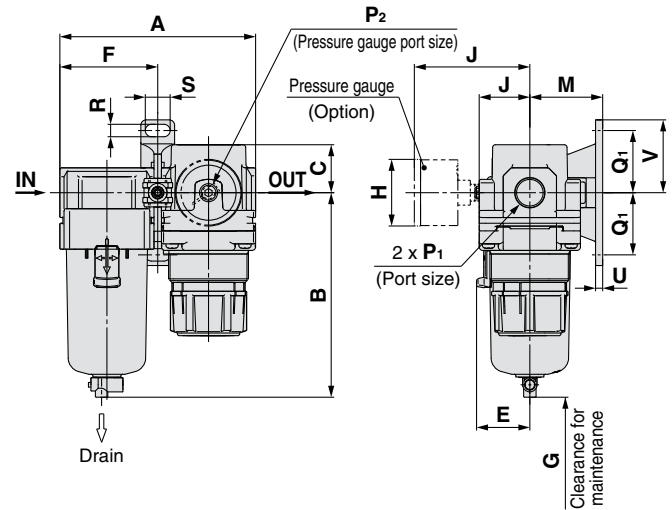
Series AC10B-A to AC40B-A

Dimensions

AC10B-A/AC20B-A



AC25B-A to AC40B-06-A



Applicable model	AC10B-A/AC20B-A		AC20B-A		AC25B-A to AC40B-06-A
Optional/Semi-standard specifications	With auto drain (N.C.)	Metal bowl	With drain guide	Metal bowl with drain guide	With auto drain (N.O./N.C.)
Dimensions					

Applicable model	AC25B-A to AC40B-06-A					
Optional/Semi-standard specifications	Metal bowl	Metal bowl with drain guide	Metal bowl with level gauge	Metal bowl with level gauge, with drain guide	With drain guide	Drain cock with barb fitting
Dimensions						

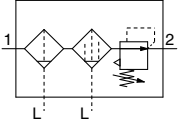
Model	Standard specifications															
	P ₁	P ₂	A	B	C	E	F	G	J	Bracket mount						
										M	Q ₁	Q ₂	R	S	U	V
AC10B-A	M5 x 0.8	1/16	56	59.9	11	—	28	25	12.5	25	20	27	4.5	6.8	3	24.5
AC20B-A	1/8, 1/4	1/8	83.2	87.6	23.5	—	41.6	25	23.4	30	24	33	5.5	12	3.5	29
AC25B-A	1/4, 3/8	1/8	110.2	115.1	23.5	30	55.1	35	30.5	41	35	—	7	14	4	41
AC30B-A	1/4, 3/8	1/8	110.2	115.1	27	30	55.1	35	30.5	41	35	—	7	14	4	41
AC40B-A	1/4, 3/8, 1/2	1/8	145.2	147.1	33.5	38.4	72.6	40	36.1	50	40	—	9	18	5	48
AC40B-06-A	3/4	1/8	155.2	149.1	33.5	38.4	77.6	40	39.6	50	40	—	9	18	5	48

Model	Optional specifications					Semi-standard specifications					
	Round type pressure gauge		Round type pressure gauge (with color zone)		With auto drain	With barb fitting	With drain guide	Metal bowl	Metal bowl with drain guide	Metal bowl with level gauge	Metal bowl with level gauge, with drain guide
	H	J	H	J	B	B	B	B	B	B	B
AC10B-A	ø26	26	—	—	77.9	—	—	59.3	—	—	—
AC20B-A	ø37.5	58.5	ø37.5	59.5	104.9	—	91.4	87.4	93.9	—	—
AC25B-A	ø37.5	58.5	ø37.5	59.5	156.8	123.6	121.9	117.6	122.1	137.6	142.1
AC30B-A	ø37.5	65	ø37.5	66	156.8	123.6	121.9	117.6	122.1	137.6	142.1
AC40B-A	ø42.5	72	ø42.5	72	186.9	155.6	153.9	149.6	154.1	169.6	174.1
AC40B-06-A	ø42.5	72	ø42.5	72	188.9	157.6	155.9	151.6	156.1	171.6	176.1

Air Filter + Mist Separator + Regulator

AC20C-A to AC40C-A

Symbol



How to Order

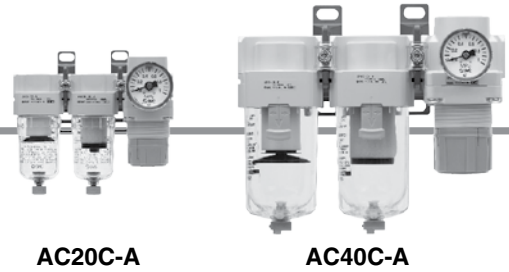
AC **30** C- **03** **DG** - - -A

① ② ③ ④ ⑤ ⑥

- Option/Semi-standard: Select one each for a to j.
- Option/Attachment/Semi-standard symbol: When more than one specification is required, indicate in alphanumeric order.
Example) AC30C-F03DM-SV-1NR-A

	Symbol	Description	①							
			Body size							
			20	25	30	40				
②	Pipe thread type	Nil	Rc	●	●	●	●			
		N	NPT	●	●	●	●			
		F	G	●	●	●	●			
+										
③	Port size	01	1/8	●	—	—	—			
		02	1/4	●	●	●	●			
		03	3/8	—	●	●	●			
		04	1/2	—	—	—	●			
		06	3/4	—	—	—	●			
+										
④	Option ^{Note 1)}	a	Float type auto drain	Nil	Without auto drain	●	●	●	●	
			C ^{Note 2)}	N.C. (Normally closed) Drain port is closed when pressure is not applied.	●	●	●	●		
			D ^{Note 3)}	N.O. (Normally open) Drain port is open when pressure is not applied.	—	●	●	●		
+										
④	Option ^{Note 1)}	b	Pressure gauge ^{Note 4)}	Nil	Without pressure gauge	●	●	●	●	
			G	Round type pressure gauge (with limit indicator)	●	●	●	●		
			M	Round type pressure gauge (with color zone)	●	●	●	●		
+										
⑤	Attachment	c	Pressure switch	Nil	Without attachment	●	●	●	●	
			S ^{Note 5)}	Mounting position: AF+AFM+S+AR	●	●	●	●		
			T ^{Note 5)}	Mounting position: AF+AFM+T+AR	●	●	●	●		
+										
⑤	Attachment	d	Pressure relief 3 port valve	Nil	Without attachment	●	●	●	●	
			V	Mounting position: AF+AFM+AR+V	●	●	●	●		
			V1 ^{Note 6)}	Mounting position: V+AF+AFM+AR	●	●	●	●		
+										
⑥	Semi-standard	e	Set pressure ^{Note 7)}	Nil	7.3 to 102 psi (0.05 to 0.7 MPa) setting	●	●	●	●	
			1	2.9 to 29 psi (0.02 to 0.2 MPa) setting	●	●	●	●		
	+									
	⑥	Semi-standard	f	Bowl	Nil	Polycarbonate bowl	●	●	●	●
					2	Metal bowl	●	●	●	●
					6	Nylon bowl	●	●	●	●
					8	Metal bowl with level gauge	—	●	●	●
					C	With bowl guard	●	—	—	—
					6C	With bowl guard (Nylon bowl)	●	—	—	—
	+									
⑥	Semi-standard	g	Filter Mist separator drain port	Nil	With drain cock	●	●	●	●	
				J ^{Note 8)}	Drain guide 1/8	●	—	—	—	
					Drain guide 1/4	—	●	●	●	
				W ^{Note 11)}	Drain cock with barb fitting (for ø6 x ø4 nylon tube)	—	●	●	●	
+										
⑥	Semi-standard	h	Exhaust mechanism	Nil	Relieving type	●	●	●	●	
				N	Non-relieving type	●	●	●	●	

Air Combination Series AC20C-A to AC40C-A



		Symbol	Description	①				
				Body size				
				20	25	30	40	
⑥	i	Flow direction	Nil	Flow direction: Left to right	●	●	●	●
			R	Flow direction: Right to left	●	●	●	●
	j	Pressure unit	Nil	Name plate and pressure gauge in imperial units: MPa	●	●	●	●
			Z ^{Note 9)}	Name plate, caution plate for bowl, and pressure gauge in imperial units: psi, °F	○ ^{Note 10)}	○ ^{Note 10)}	○ ^{Note 10)}	○ ^{Note 10)}

Note 1) Option G, M are not assembled and supplied loose at the time of shipment.
 Note 2) When pressure is not applied, condensate which does not start the auto drain mechanism will be left in the bowl. Releasing the residual condensate before ending operations for the day is recommended.
 Note 3) If the compressor is small (0.75 kW, discharge flow is less than 3.5 scfm (100 L/min[ANR])), air leakage from the drain cock may occur during start of operations. N.C. type is recommended.

Note 4) When the pressure gauge is attached, a 145 psi (1.0 MPa) pressure gauge will be fitted for standard (102 psi [0.7 MPa]) type. 58 psi (0.4 MPa) pressure gauge for 29 psi (0.2 MPa) type.
 Note 5) The bracket position varies depending on the T-spacer or pressure switch mounting.
 Note 6) Make sure that the outlet pressure is released to atmospheric pressure using a pressure gauge.
 For V1 specification, use the regulator with a set pressure of 22 psi (0.15 MPa) or more to ensure the pressure release.
 Note 7) Pressure can be set higher than the specification pressure in some cases, but use pressure within the specification range.

Note 8) Without a valve function
 Note 9) For pipe thread type: NPT. This product is for overseas use only according to the new Measurement Law. (The SI unit type is provided for use in Japan.) MPa and psi are shown together on the pressure unit. Cannot be used with M: Round pressure gauge (with color zone). Available by request for special.
 Note 10) ○: For pipe thread type: NPT only
 Note 11) The combination of metal bowl: 2 and 8 is not available.

Standard Specifications

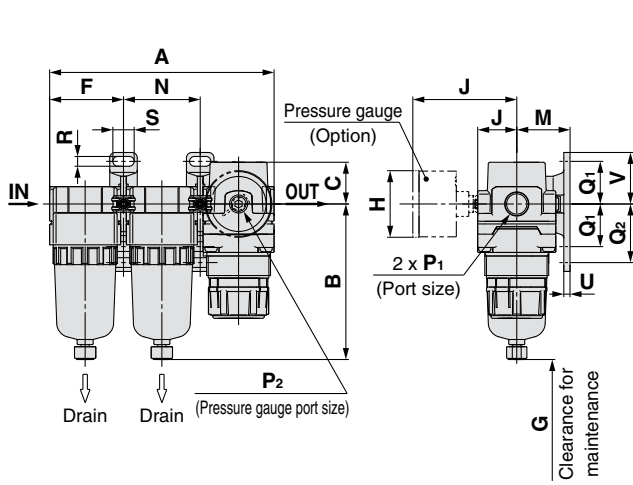
Model		AC20C-A	AC25C-A	AC30C-A	AC40C-A	AC40C-06-A
Component	Air Filter [AF]	AF20-A	AF30-A	AF30-A	AF40-A	AF40-06-A
	Mist Separator [AFM]	AFM20-A	AFM30-A	AFM30-A	AFM40-A	AFM40-06-A
	Regulator [AR]	AR20-A	AR25-A	AR30-A	AR40-A	AR40-06-A
Port size		1/8, 1/4	1/4, 3/8	1/4, 3/8	1/4, 3/8, 1/2	3/4
Pressure gauge port size [AR]		1/8				
Fluid		Air				
Ambient and fluid temperature		23 to 140°F (-5 to 60°C ^o) (with no freezing)				
Proof pressure		218 psi (1.5 MPa)				
Maximum operating pressure		145 psi (1.0 MPa)				
Minimum operating pressure		7.3 psi (0.05 MPa)				
Set pressure range [AR]		7.3 to 102 psi (0.05 to 0.7 MPa)				
Nominal filtration rating [AF/AFM]		AF: 5 μm, AFM: 0.3 μm (99.9% filtered particle size)				
Outlet side oil mist concentration [AFM]		MAX 1.0 mg/m ³ (ANR) (≈ 0.8 ppm) ^{Note 2) Note 3)}				
Rated flow scfm (L/min (ANR)) [AFM] ^{Note 1)}		7.06 (200)	15.9 (450)	15.9 (450)	38.8 (1100)	38.8 (1100)
Bowl material [AF/AFM]		Polycarbonate				
Bowl guard [AF/AFM]		Semi-standard (Steel)	Standard (Polycarbonate)			
Construction [AR]		Relieving type				
Weight (kg)		0.39	0.67	0.82	1.53	1.66

Note 1) Conditions: Mist separator inlet pressure: 102 psi (0.7 MPa); The rated flow varies depending on the inlet pressure. Keep the air flow within the rated flow to prevent an outflow of lubricant to the outlet side.
 Note 2) When the compressor oil mist discharge concentration is 30 mg/m³ (ANR).
 Note 3) Bowl seal and other O-rings are slightly lubricated.

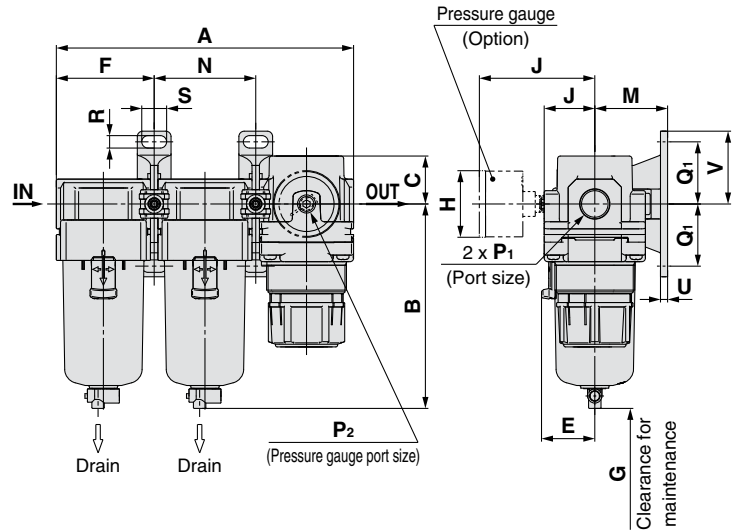
Series AC20C-A to AC40C-A

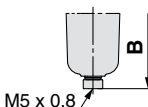
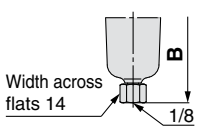
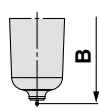
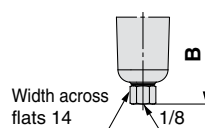
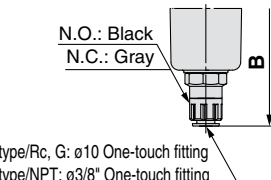
Dimensions

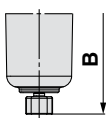
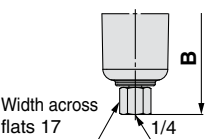
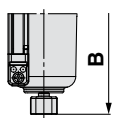
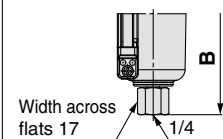
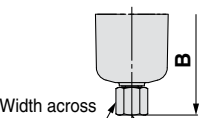
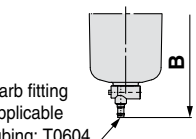
AC20C-A



AC25C-A to AC40C-06-A



Applicable model	AC20C-A				AC25C-A to AC40C-06-A	
Optional/Semi-standard specifications	With auto drain (N.C.)	With drain guide	Metal bowl	Metal bowl with drain guide	With auto drain (N.O./N.C.)	
Dimensions	 M5 x 0.8	 Width across flats 14 1/8		 Width across flats 14 1/8	 N.O.: Black N.C.: Gray Thread type/Rc, G: ø10 One-touch fitting Thread type/NPT: ø3/8" One-touch fitting	

Applicable model	AC25C-A to AC40C-06-A					
Optional/Semi-standard specifications	Metal bowl	Metal bowl with drain guide	Metal bowl with level gauge	Metal bowl with level gauge, with drain guide	With drain guide	Drain cock with barb fitting
Dimensions		 Width across flats 17 1/4		 Width across flats 17 1/4	 Width across flats 17 1/4	 Barb fitting applicable tubing: T0604

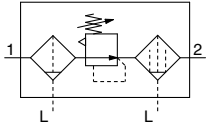
Model	Standard specifications																
	P ₁	P ₂	A	B	C	E	F	G	J	Bracket mount							
										M	N	Q ₁	Q ₂	R	S	U	V
AC20C-A	1/8, 1/4	1/8	126.4	87.6	23.5	—	41.6	40	23.4	30	43.2	24	33	5.5	12	3.5	29
AC25C-A	1/4, 3/8	1/8	167.4	115.1	23.5	30	55.1	50	30.5	41	57.2	35	—	7	14	4	41
AC30C-A	1/4, 3/8	1/8	167.4	115.1	27	30	55.1	50	30.5	41	57.2	35	—	7	14	4	41
AC40C-A	1/4, 3/8, 1/2	1/8	220.4	147.1	33.5	38.4	72.6	75	36.1	50	75.2	40	—	9	18	5	48
AC40C-06-A	3/4	1/8	235.4	149.1	33.5	38.4	77.6	75	39.6	50	80.2	40	—	9	18	5	48

Model	Optional specifications					Semi-standard specifications						
	Round type pressure gauge		Round type pressure gauge (with color zone)		With auto drain	With barb fitting	With drain guide	Metal bowl	Metal bowl with drain guide	Metal bowl with level gauge	Metal bowl with level gauge, with drain guide	
	H	J	H	J	B	B	B	B	B	B	B	
AC20C-A	ø37.5	58.5	ø37.5	59.5	104.9	—	91.4	87.4	93.9	—	—	
AC25C-A	ø37.5	58.5	ø37.5	59.5	156.8	123.6	121.9	117.6	122.1	137.6	142.1	
AC30C-A	ø37.5	65	ø37.5	66	156.8	123.6	121.9	117.6	122.1	137.6	142.1	
AC40C-A	ø42.5	72	ø42.5	72	186.9	155.6	153.9	149.6	154.1	169.6	174.1	
AC40C-06-A	ø42.5	72	ø42.5	72	188.9	157.6	155.9	151.6	156.1	171.6	176.1	

Filter Regulator + Mist Separator

AC20D-A to AC40D-A

Symbol



How to Order

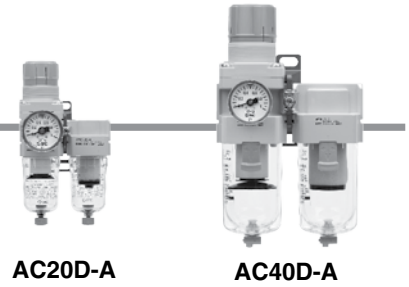
AC **30** D- **03** DG - - -A

① ② ③ ④ ⑤ ⑥

- Option/Semi-standard: Select one each for a to j.
- Option/Attachment/Semi-standard symbol: When more than one specification is required, indicate in alphanumeric order.
Example) AC30D-F03DM-SV-1NR-A

	Symbol	Description	①					
			Body size					
			20	30	40			
②	Pipe thread type	Nil	Rc	●	●	●		
		N	NPT	●	●	●		
		F	G	●	●	●		
+								
③	Port size	01	1/8	●	—	—		
		02	1/4	●	●	●		
		03	3/8	—	●	●		
		04	1/2	—	—	●		
		06	3/4	—	—	●		
+								
④	Option Note 1)	a	Float type auto drain	Nil	Without auto drain	●	●	●
			C ^{Note 2)}	N.C. (Normally closed) Drain port is closed when pressure is not applied.	●	●	●	
			D ^{Note 3)}	N.O. (Normally open) Drain port is open when pressure is not applied.	—	●	●	
+								
b	Pressure gauge Note 4)	Nil	Without pressure gauge	●	●	●		
		G	Round type pressure gauge (with limit indicator)	●	●	●		
		M	Round type pressure gauge (with color zone)	●	●	●		
+								
⑤	Attachment	c	Pressure switch	Nil	Without attachment	●	●	●
			S ^{Note 5)}	Mounting position: AW+S+AFM	●	●	●	
		+						
d	Pressure relief 3 port valve	Nil	Without attachment	●	●	●		
		V	Mounting position: AW+AFM+V	●	●	●		
		V1 ^{Note 6)}	Mounting position: V+AW+AFM	●	●	●		
+								
e	Set pressure Note 7)	Nil	7.3 to 102 psi (0.05 to 0.7 MPa) setting	●	●	●		
		1	2.9 to 29 psi (0.02 to 0.2 MPa) setting	●	●	●		
+								
⑥	Semi-standard	f	Bowl	Nil	Polycarbonate bowl	●	●	●
				2	Metal bowl	●	●	●
				6	Nylon bowl	●	●	●
				8	Metal bowl with level gauge	—	●	●
				C	With bowl guard	●	—	—
				6C	With bowl guard (Nylon bowl)	●	—	—
+								
g	Filter regulator Mist separator drain port	Nil	With drain cock	●	●	●		
		J ^{Note 8)}	Drain guide 1/8	●	—	—		
		W ^{Note 11)}	Drain cock with barb fitting (for ø6 x ø4 nylon tube)	—	●	●		
+								
h	Exhaust mechanism	Nil	Relieving type	●	●	●		
		N	Non-relieving type	●	●	●		
+								
i	Flow direction	Nil	Flow direction: Left to right	●	●	●		
		R	Flow direction: Right to left	●	●	●		

Air Combination *Series AC20D-A to AC40D-A*



	Symbol	Description
6 Semi-standard	j	Pressure unit
	Nil	Name plate and pressure gauge in imperial units: MPa
	Z <small>Note 9)</small>	Name plate, caution plate for bowl, and pressure gauge in imperial units: psi, °F

1		
Body size		
20	30	40
●	●	●
○ <small>Note 10)</small>	○ <small>Note 10)</small>	○ <small>Note 10)</small>

Note 1) Option G, M are not assembled and supplied loose at the time of shipment.
 Note 2) When pressure is not applied, condensate which does not start the auto drain mechanism will be left in the bowl. Releasing the residual condensate before ending operations for the day is recommended.
 Note 3) If the compressor is small (0.75 kW, discharge flow is less than 3.5 scfm (100 L/min(ANR))), air leakage from the drain cock may occur during start of operations. N.C. type is recommended.

Note 4) When the pressure gauge is attached, a 145 psi (1.0 MPa) pressure gauge will be fitted for standard (102 psi [0.7 MPa]) type. 58 psi (0.4 MPa) pressure gauge for 29 psi (0.2 MPa) type.
 Note 5) The bracket position varies depending on the pressure switch mounting.
 Note 6) Make sure that the outlet pressure is released to atmospheric pressure using a pressure gauge.
 For V1 specification, use the regulator with a set pressure of 22 psi (0.15 MPa) or more to ensure the pressure release.
 Note 7) Pressure can be set higher than the specification pressure in some cases, but use pressure within the specification range.

Note 8) Without a valve function
 Note 9) For pipe thread type: NPT. This product is for overseas use only according to the new Measurement Law. (The SI unit type is provided for use in Japan.) MPa and psi are shown together on the pressure unit.
 Cannot be used with M: Round pressure gauge (with color zone). Available by request for special.
 Note 10) ○: For pipe thread type: NPT only
 Note 11) The combination of metal bowl: 2 and 8 is not available.

Standard Specifications

Model		AC20D-A	AC30D-A	AC40D-A	AC40D-06-A
Component	Filter Regulator [AW]	AW20-A	AW30-A	AW40-A	AW40-06-A
	Mist Separator [AFM]	AFM20-A	AFM30-A	AFM40-A	AFM40-06-A
Port size		1/8, 1/4	1/4, 3/8	1/4, 3/8, 1/2	3/4
Pressure gauge port size [AW]		1/8			
Fluid		Air			
Ambient and fluid temperature		23 to 140°F (-5 to 60°C) (with no freezing)			
Proof pressure		218 psi (1.5 MPa)			
Maximum operating pressure		145 psi (1.0 MPa)			
Minimum operating pressure		7.3 psi (0.05 MPa)			
Set pressure range [AW]		7.3 to 102 psi (0.05 to 0.7 MPa)			
Nominal filtration rating [AW/AFM]		AW: 5 μm, AFM: 0.3 μm (99.9% filtered particle size)			
Rated flow scfm (L/min (ANR)) [AFM] <small>Note 1)</small>		5.3 (150)	11.7 (330)	28.3 (800)	28.3 (800)
Outlet side oil mist concentration [AFM] <small>Note 2) 3)</small>		MAX 1.0 mg/m ³ (ANR) (≈ 0.8 ppm)			
Bowl material [AW/AFM]		Polycarbonate			
Bowl guard [AW/AFM]		Semi-standard (Steel)	Standard (Polycarbonate)		
Construction [AW]		Relieving type			
Weight (kg)		0.33	0.66	1.24	1.35

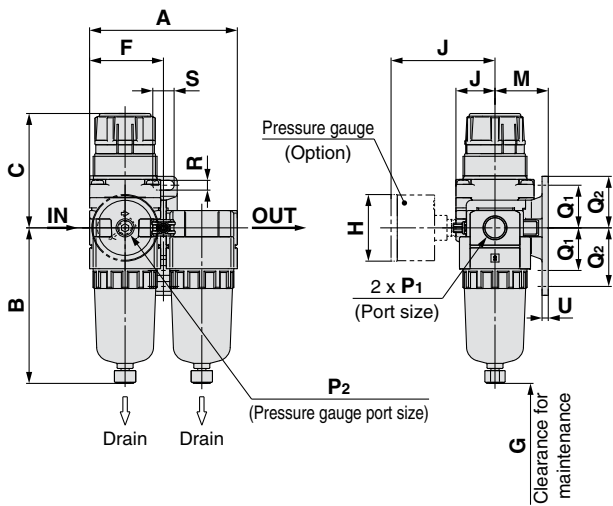
Note 1) Conditions: Mist separator inlet pressure: 73 psi (0.5 MPa); The rated flow varies depending on the inlet pressure. Keep the air flow within the rated flow to prevent an outflow of lubricant to the outlet side.
 Note 2) When the compressor oil mist discharge concentration is 30 mg/m³ (ANR).
 Note 3) Bowl seal and other O-rings are slightly lubricated.

AC
 AF+AR+AL
 AW+AL
 AF+AR
 AF+AFM+AR
 AW+AFM
 Attachment
 AF
 AFM/AFD
 AR
 AL
 AW

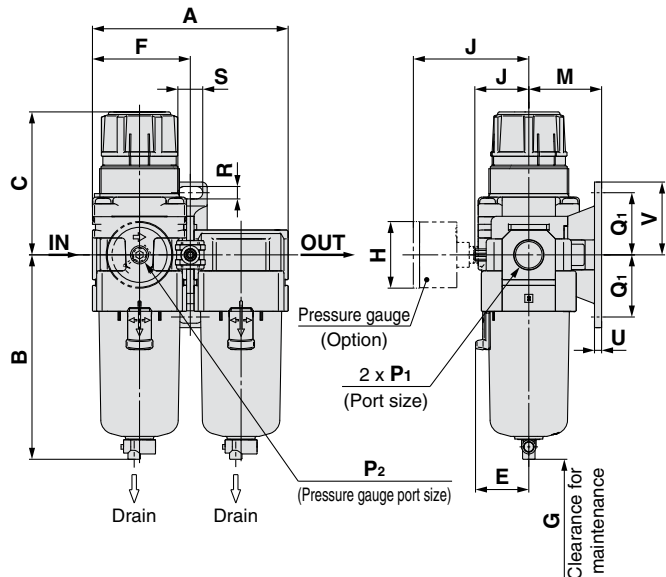
Sereis AC20D-A to AC40D-A

Dimensions

AC20D-A



AC30D-A to AC40D-06-A



Applicable model	AC20D-A				AC30D-A to AC40D-06-A	
Optional/Semi-standard specifications	With auto drain (N.C.)	With drain guide	Metal bowl	Metal bowl with drain guide	With auto drain (N.O./N.C.)	
Dimensions					<p>N.O.: Black N.C.: Gray</p>	

Applicable model	AC30D-A to AC40D-06-A					
Optional/Semi-standard specifications	Metal bowl	Metal bowl with drain guide	Metal bowl with level gauge	Metal bowl with level gauge, with drain guide	With drain guide	Drain cock with barb fitting
Dimensions						

Model	Standard specifications															
	P ₁	P ₂	A	B	C (Note)	E	F	G	J	Bracket mount						
AC20D-A	1/8, 1/4	1/8	83.2	87.6	67.4	—	41.6	40	23.4	M	Q ₁	Q ₂	R	S	U	V
AC30D-A	1/4, 3/8	1/8	110.2	115.1	83.5	30	55.1	50	30.5	41	35	—	7	14	4	41
AC40D-A	1/4, 3/8, 1/2	1/8	145.2	147.1	100	38.4	72.6	75	36.1	50	40	—	9	18	5	48
AC40D-06-A	3/4	1/8	155.2	149.1	101.5	38.4	77.6	75	39.6	50	40	—	9	18	5	48

Model	Optional specifications				Semi-standard specifications							
	Round type pressure gauge		Round type pressure gauge (with color zone)		With auto drain	With barb fitting	With drain guide	Metal bowl	Metal bowl with drain guide	Metal bowl with level gauge	Metal bowl with level gauge, with drain guide	
	H	J	H	J	B	B	B	B	B	B	B	B
AC20D-A	ø37.5	58.5	ø37.5	59.5	104.9	—	91.4	87.4	93.9	—	—	—
AC30D-A	ø37.5	65	ø37.5	66	156.8	123.6	121.9	117.6	122.1	137.6	—	142.1
AC40D-A	ø42.5	72	ø42.5	72	186.9	155.6	153.9	149.6	154.1	169.6	—	174.1
AC40D-06-A	ø42.5	72	ø42.5	72	188.9	157.6	155.9	151.6	156.1	171.6	—	176.1

Note) The dimension of C is the length when the filter regulator knob is unlocked.

Air Combination Series AC Options/Attachments

Options/Attachments/Part No.

Section	Model		Part no.					
			For AC10-A For AC10A-A	For AC20-A For AC20A-A	For AC25-A —	For AC30-A For AC30A-A	For AC40-A For AC40A-A	For AC40-06-A For AC40A-06-A
Option	Type	Standard	G27-10-R1		G36-10-□01		G46-10-□01	
		*0.02 to 0.2 MPa setting	G27-10-R1 (Note 2)		G36-4-□01		G46-4-□01	
Attachment	Type	Standard	—		G36-10-□01-L		G46-10-□01-L	
		*0.02 to 0.2 MPa setting	—		G36-4-□01-L		G46-4-□01-L	
Attachment	Spacer		Y100-A	Y200-A	Y300-A	Y400-A	Y500-A	
	Spacer with bracket		Y100T-A	Y200T-A	Y300T-A	Y400T-A	Y500T-A	
	Check valve (Note 3) (Note 4)		—	AKM2000-□01-A (□02)-A	AKM3000-(□01)-A □02-A	AKM4000-(□02)-A □03-A	—	
	Pressure switch (Note 4)		—	IS10M-20-A	IS10M-30-A	IS10M-40-A	IS10M-50-A	
	T-spacer (Note 3) (Note 4)		Y110-M5-A	Y210-□01-A (□02)-A	Y310-(□01)-A □02-A	Y410-(□02)-A □03-A	Y510-(□02)-A □03-A	
	Pressure relief 3 port valve (Note 4)		—	VHS20-□01A □02A	VHS30-□02A □03A	VHS40-□03A □04A	VHS40-□06A	
	Piping adapter (Note 4)		E100-M5-A	□01-A E200-□02-A □03-A	□02-A E300-□03-A □04-A	□02-A E400-□03-A □04-A □06-A	E500-□06-A	
	Pressure switch with piping adapter (Note 4)		—	□01-A IS10E-20□02-A □03-A	□02-A IS10E-30□03-A □04-A	□02-A IS10E-40□03-A □04-A □06-A	—	
	Cross spacer (Note 4)		Y14-M5-A	Y24-□01-A □02-A	Y34-□01-A □02-A	Y44-□02-A □03-A	Y54-□03-A □04-A	

* 2.9 to 29 psi (0.02 to 0.2 MPa)

Note 1) □ in round pressure gauge part numbers indicates a pipe thread type. No indication is necessary for R; however, indicate N for NPT.

Please contact SMC regarding the pipe thread type NPT and the supply of pressure gauge with psi unit display specifications.

Note 2) Standard pressure gauge

Note 3) For F.R.L. units, port sizes without () are standard specifications.

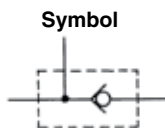
Note 4) Separate interfaces are required for modular unit.

Check Valve: (K) 1/8, 1/4, 3/8

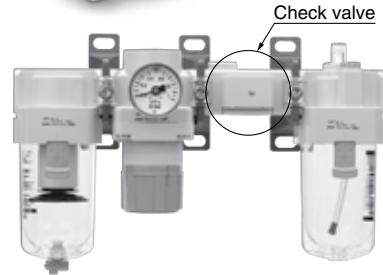
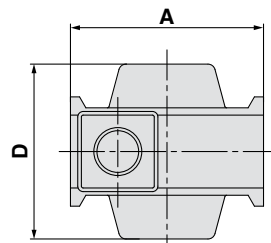
A check valve with intermediate air release port can be easily installed to prevent a backflow of lubricant when redirecting the air flow and releasing the air on the outlet side of the regulator.

AKM 30 00 - □ 01 - A

① ② ③



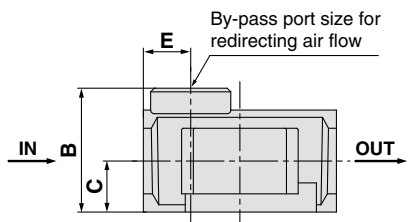
Symbol	Description	①		
		Body size		
②	Pipe thread type	Nil	Rc	●
		N	NPT	●
		F	G	●
③	By-pass port size	01	1/8	●
		02	1/4	●
		03	3/8	●



Specifications

Model	Effective area (mm ²)
AKM2000-A	28
AKM3000-A	55
AKM4000-A	111

Be sure to use above check valves when redirecting the air flow on the inlet side of the lubricator. Threads for IN and OUT ports are not machined.



Model	By-pass port size	A	B	C	D	E	Applicable model
AKM2000-A	1/8, 1/4	40	28	11	40	11	AC20-A, AC20A-A
AKM3000-A	1/8, 1/4	53	34	14	48	13	AC25-A AC30-A, AC30A-A
AKM4000-A	1/4, 3/8	70	42	18	54	15	AC40-A, AC40A-A ^(Note)

Note) Cannot be mounted on the AC40□-06-A.

* Refer to the attachment table above for standard by-pass port sizes applicable to the AC.



AC
AF+AR+AL
AW+AL
AW+AL
AF+AR
AF+AR
AF+AFM+AR
AF+AFM
Attachment
AF
AFM/AFD
AR
AL
AW

Pressure Switch: (S)

A compact integrated pressure switch can be easily installed and facilitates the pressure detection of the line.

IS10M-30-□-A

① ②

- Semi-standard: Select one each for a to c.
- Semi-standard symbol: When more than one specification is required, indicate in alphanumeric order.
Example) IS10M-30-6LP

	Symbol	Description	① Body size					
			20	30	40	50		
② Semi-standard	a	Set pressure range	Nil	15 to 58 psi (0.1 to 0.4 MPa)	●	●	●	●
			6 ^{Note 1)}	15 to 87 psi (0.1 to 0.6 MPa)	●	●	●	●
	b	Lead wire length		Nil	0.5 m	●	●	●
			L	3 m	●	●	●	●
			Z	5 m	●	●	●	●
c	Pressure unit of the scale plate		Nil	MPa	●	●	●	●
			P ^{Note 2)}	MPa/psi dual scale	●	●	●	●

Note 1) Set pressure range of 6P (L, Z) is 0.2 to 0.6 MPa (30 to 90 psi).

Note 2) This product is for overseas use only according to the new Measurement Law.
(The SI unit type is provided for use in Japan.)

Specifications

Fluid	Air
Ambient and fluid temperature	23 to 140°F (-5 to 60°C) (with no freezing)
Proof pressure	145 psi (1.0 MPa)
Maximum operating pressure	102 psi (0.7 MPa)
Set pressure range (when OFF)	15 to 58 psi (0.1 to 0.4 MPa)
Hysteresis	12 psi (0.08 MPa) or less

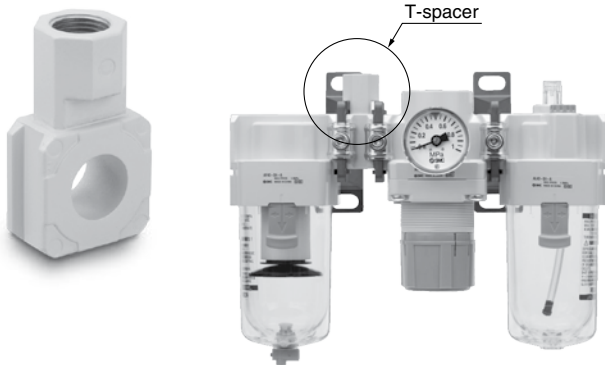
Switch Characteristics

Contact point configuration	1a
Maximum contact point capacity	2 VA (AC), 2 W (DC)
Operating voltage: AC, DC	100 V or less
Maximum operating current	12 V to 24 VAC, DC: 50 mA
	48 VAC, DC: 40 mA
	100 VAC, DC: 20 mA

Note) For detailed specifications on the IS10 series, refer to the section of our website IS10 series, <http://www.smcworld.com>

T-Spacer: (T) 1/8, 1/4, 3/8

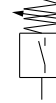
Using a T-spacer facilitates the branching of air flow.



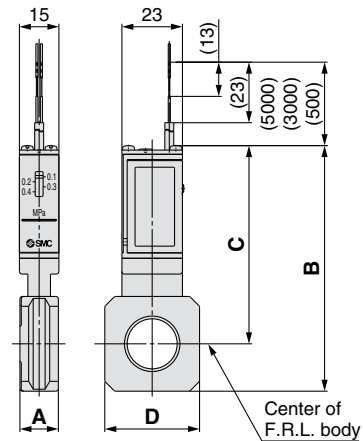
Caution on Mounting

If a T-spacer is used on the inlet side of the lubricator, lubricant may be mixed. Use the AKM series check valve to avoid such possibility.

Symbol

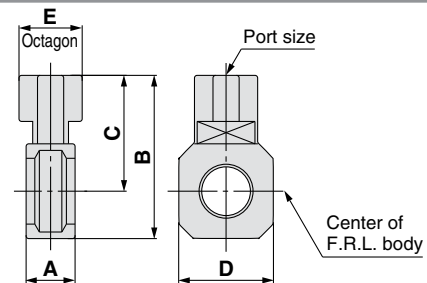


Pressure switch



Model	A	B	C	D	Applicable model
IS10M-20-A	10.6	74.2	64.4	28	AC20□-A
IS10M-30-A	12.6	84.5	70.5	30	AC25□-A, AC30□-A
IS10M-40-A	14.6	93.3	75.3	36	AC40□-A
IS10M-50-A	16.6	97.3	77.3	44	AC40□-06-A

* Separate spacers are required for modular unit.



Model Note)	Port size	A	B	C	D	E	Applicable model
Y110-M5-A	M5 x 0.8	11.2	19	12	14	8	AC10-A, AC10B-A
Y210-□01-A	1/8	14.6	41.8	32	28	19	AC20-A, AC20B-A AC20C-A
Y210-□02-A	1/4						
Y310-□01-A	1/8	14.6	52.7	38.7	30	19	AC25-A, AC25B-A AC25C-A, AC30-A AC30B-A, AC30C-A
Y310-□02-A	1/4						
Y410-□02-A	1/4	18.6	62	44	36	24	AC40-A, AC40B-A AC40C-A
Y410-□03-A	3/8						
Y510-□02-A	1/4	18.6	66	46	44	24	AC40-06-A, AC40B-06-A AC40C-06-A
Y510-□03-A	3/8						

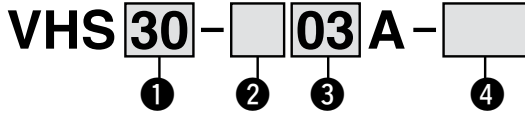
Note) □ in model numbers indicates a pipe thread type. No indication is necessary for Rc; however, indicate N for NPT, and F for G.

* Separate interfaces are required for modular unit.

* Refer to the attachment table on page 28 for standard port sizes when using with the AC.

Pressure Relief 3 Port Valve: (V)

With the use of a pressure relief 3 port valve, pressure left in the line can be easily exhausted.



- Semi-standard: Select one each for a to b.
- Semi-standard symbol: When more than one specification is required, indicate in alphanumeric order.
Example) VHS30-03A-RZ

	Symbol	Description	①			
			20	30	40	
② Pipe thread type	Nil	Rc	●	●	●	
	N (Note)	NPT	●	●	●	
	F (Note)	G	●	●	●	
③ Port size	01	1/8	●	—	—	
	02	1/4	●	●	—	
	03	3/8	—	—	●	
	04	1/2	—	—	●	
	06	3/4	—	—	●	
④ Semi-standard	a Flow direction	Nil	Flow direction: Left to right	●	●	●
		R	Flow direction: Right to left	●	●	●
	b Pressure unit	Nil	Name plate in imperial units: MPa	●	●	●
		Z (Note)	Name plate in imperial units: psi	●	●	●

Note) For pipe thread type: NPT only. This product is for overseas use only according to the new Measurement Law. (The SI unit type is provided for use in Japan.)

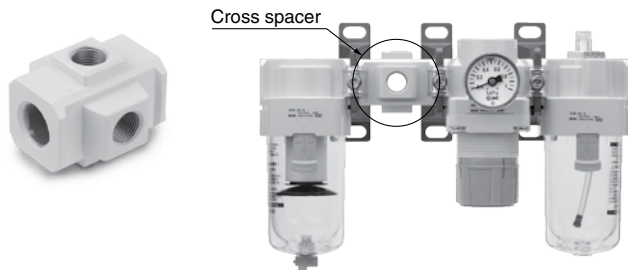
Specifications

Model	Port size		Specifications								
	IN, OUT	EXH	IN → OUT			OUT → EXH					
			C(dm ³ /s·bar)	b	Cv	C(dm ³ /s·bar)	b	Cv			
VHS20	1/8	1/8	2.4	0.43	0.65	2.5	0.39	0.69			
	1/4		3.3	0.40	0.88	3.1	0.51	0.84			
VHS30	1/4	1/4	6.4	0.45	1.7	6.2	0.38	1.7			
	3/8		8.3	0.41	2.3	7.0	0.41	1.9			
VHS40	1/4	3/8	7.3	0.49	2.0	8.5	0.35	2.3			
	3/8		10.9	0.45	3.0	11.6	0.40	3.1			
	1/2		14.2	0.39	3.8	13.3	0.43	3.6			
VHS40-06	3/4	1/2	18.3	0.31	5.0	17.7	0.37	4.8			

Note) Use an air filter on the IN side for operating protection.

Cross Spacer: 1/8, 1/4, 3/8, 1/2

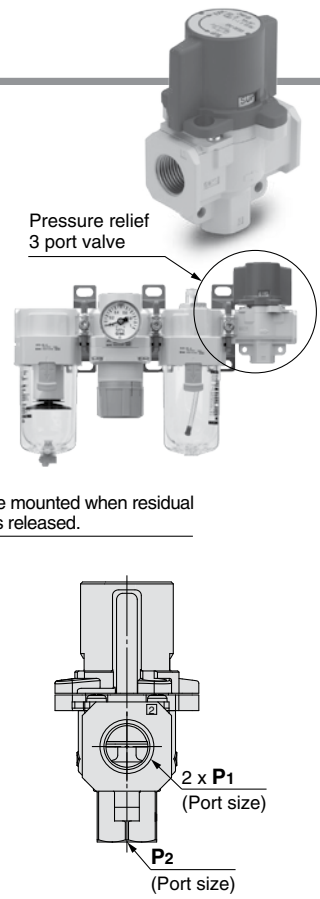
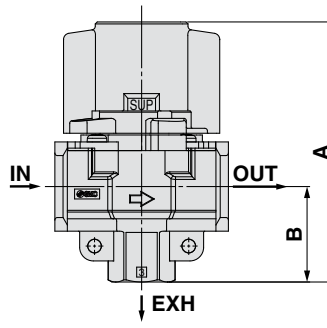
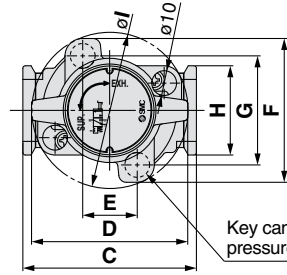
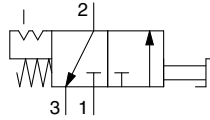
Pipings are possible in all 4 directions.
IN/OUT ports are not machined for threads.
Please contact SMC if threaded (machined) ports are required.



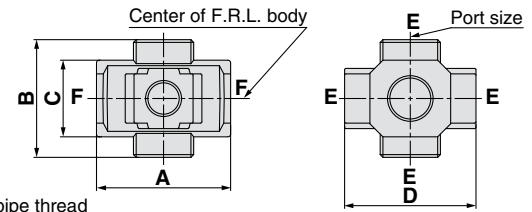
Caution on Mounting

- When mounting a cross spacer directly on the inlet side of the lubricator, be sure to use the AKM series check valve between the lubricator and cross spacer.
- Factory mounting of a cross spacer on the AC model is available as a special order.

Symbol



Model	Standard specifications										
	P1	P2	A	B	C	D	E	F	G	H	I
VHS20	1/8, 1/4	1/8	66.4	22.3	40	37.5	14	46.6	33.6	28	37.5
VHS30	1/4, 3/8	1/4	80.3	29.4	53	49	19	52	38	30	49
VHS40	1/4, 3/8, 1/2	3/8	104.9	38.5	70	63	22	58	44	36	63
VHS40-06	3/4	1/2	110.4	42	75	63	22	58	44	44	63



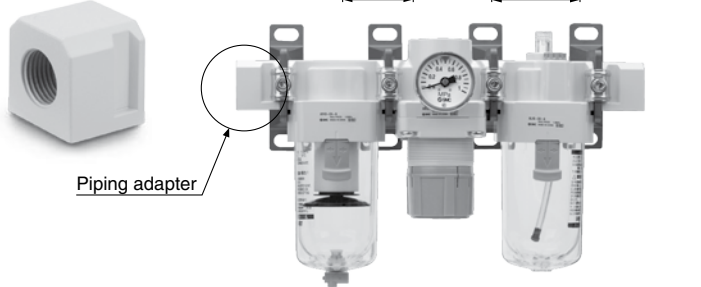
F: Without pipe thread

Model (Note)	E (Port size)	A	B	C	D	Applicable model
Y14-M5-A	M5 x 0.8	23	16	14	25	AC10□-A
Y24-□01-A	1/8	40	40	22	40	AC20□-A
Y24-□02-A	1/4					
Y34-□01-A	1/8	49	43	28	48	AC25□-A, AC30□-A
Y34-□02-A	1/4					
Y44-□02-A	1/4	60	48	36	54	AC40□-A
Y44-□03-A	3/8					
Y54-□03-A	3/8	72	62	40	62	AC40□-06-A
Y54-□04-A	1/2					

Note) □ in model numbers indicates a pipe thread type. No indication is necessary for Rc; however, indicate N for NPT, and F for G.
* If threaded IN/OUT ports are required, they are available as a special order. Please contact SMC.
* Two hexagon socket head plugs are included in the package.

Piping Adapter: 1/8, 1/4, 3/8, 1/2, 3/4

A piping adapter allows installation/removal of the component without removing the piping and thus makes maintenance easier.



Model (Note)	Port size	A	B	D	Applicable model
E100-M5-A	M5 x 0.8	10	14	14	AC10□-A
E200-□01-A	1/8	29.8	23.5	28	AC20□-A
E200-□02-A	1/4				
E200-□03-A	3/8				
E300-□02-A	1/4	31.8	30	30	AC25□-A, AC30□-A
E300-□03-A	3/8				
E300-□04-A	1/2				
E400-□02-A	1/4	31.8	36	36	AC40□-A
E400-□03-A	3/8				
E400-□04-A	1/2				
E400-□06-A	3/4				
E500-□06-A	3/4	31.8	40	44	AC40□-06-A

Note) □ in model numbers indicates a pipe thread type. No indication is necessary for Rc; however, indicate N for NPT, and F for G.

* Separate interfaces are required for modular unit.

* Factory mounting of a piping adapter on the AC models is available as a special order.

Pressure Switch with Piping Adapter

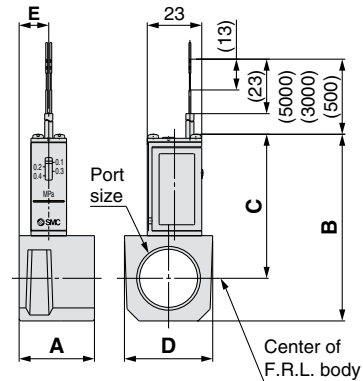
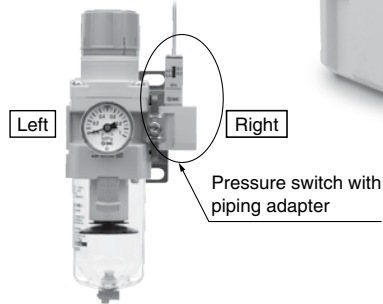
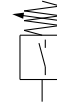
IS10E - **30** **03** - **A**

① ② ③ ④

- Semi-standard: Select one each for a to d.
 - Semi-standard symbol: When more than one specification is required, indicate in alphanumeric order.
- Example) IS10E-30N03-6PRZ

	Symbol	Description	① Body size			
			20	30	40	
② Pipe thread type	Nil	Rc	●	●	●	
	N (Note)	NPT	●	●	●	
	F (Note)	G	●	●	●	
③ Port size	+					
	01	1/8	●	—	—	
	02	1/4	●	●	—	
	03	3/8	●	●	●	
	04	1/2	—	●	●	
④ Semi-standard	a Set pressure range	Nil	15 to 58 psi (0.1 to 0.4 MPa)	●	●	●
		6 (Note 1)	15 to 87 psi (0.1 to 0.6 MPa)	●	●	●
	b Lead wire length	+				
		Nil	0.5 m	●	●	●
		L	3 m	●	●	●
	Z	5 m	●	●	●	
	c Pressure unit of the scale plate	+				
		Nil	MPa	●	●	●
	P (Note 2)	MPa/psi dual scale	●	●	●	
	d Mounting position	+				
Nil		Right	●	●	●	
R	Left	●	●	●		

Symbol



Note 1) Set pressure range of 6P (L, R, Z) is 0.2 to 0.6 MPa (30 to 90 psi).

Note 2) For pipe thread type: NPT only. This product is for overseas use only according to the new Measurement Law. (The SI unit type is provided for use in Japan.)

Specifications

Fluid	Air
Ambient and fluid temperature	23 to 140°F (-5 to 60°C) (with no freezing)
Proof pressure	145 psi (1.0 MPa)
Maximum operating pressure	102 psi (0.7 MPa)
Set pressure range (when OFF)	15 to 58 psi (0.1 to 0.4 MPa)
Hysteresis	12 psi (0.08 MPa) or less

Switch Characteristics

Contact point configuration	1a
Maximum contact point capacity	2 VA (AC), 2 W (DC)
Operating voltage: AC, DC	100 V or less
Maximum operating current	12 V to 24 V AC, DC: 50 mA
	48 V AC, DC: 40 mA
	100 V AC, DC: 20 mA

Model (Note 1)	Port size	A	B	C	D	E	Applicable model
IS10E-20□01-A	1/8	29.8	66.3	55.3	28	16	AC20□-A
IS10E-20□02-A	1/4						
IS10E-20□03-A	3/8						
IS10E-30□02-A	1/4	31.8	72.8	58.8	30	13	AC25□-A, AC30□-A
IS10E-30□03-A	3/8						
IS10E-30□04-A	1/2						
IS10E-40□02-A	1/4	31.8	78.8	60.8	37	12.5	Note 2) AC40□-A
IS10E-40□03-A	3/8						
IS10E-40□04-A	1/2						
IS10E-40□06-A	3/4						

Note 1) □ in the model numbers indicates a pipe thread type. No indication is necessary for Rc; however, indicate N for NPT, and F for G.

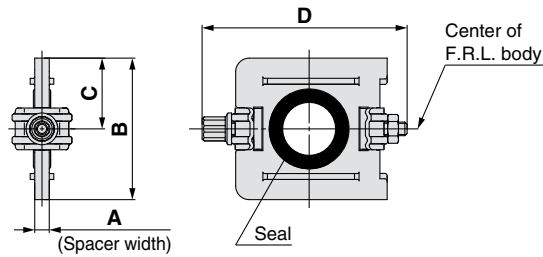
Note 2) Cannot be mounted on the AC40□-06-A.

* Separate interfaces are required for modular unit.

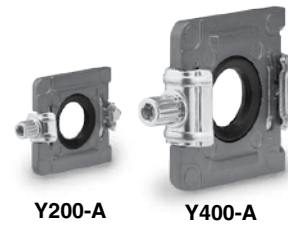
* The pressure switch on the AC40□-06-A can be mounted by screwing IS10-01S into the piping adapter E500□06-A-X501 (with top-face thread Rc1/8). Products with a premounted switch are available as a special order. Please contact SMC regarding their availability.

Series AC Accessories (Spacers/Brackets)

Spacer



Model	A	B	C	D	Applicable model
Y100-A	6	17.9	9	35.4	AC10□-A
Y200-A	3.2	31.2	15.6	44.9	AC20□-A
Y300-A	4.2	43.4	21.7	57.9	AC25□-A, AC30□-A
Y400-A	5.2	53	26.5	68.5	AC40□-A
Y500-A	5.2	57	28.5	75.6	AC40□-06-A



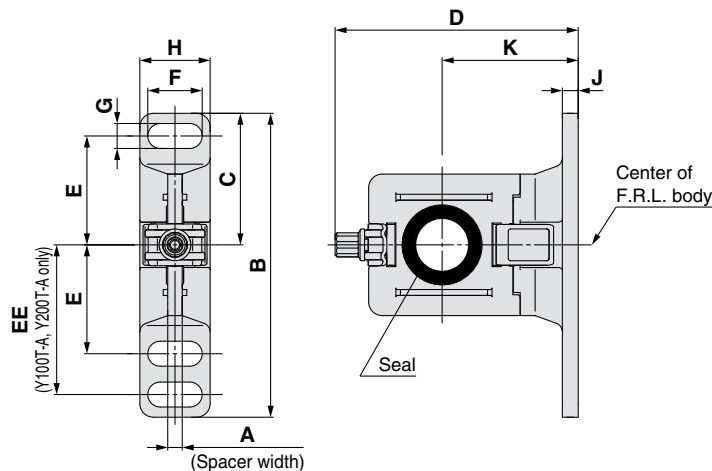
Replacement Parts

Description	Material	Part no.				
		Y100-A	Y200-A	Y300-A	Y400-A	Y500-A
Seal	HNBR (NBR) ^{Note 1)}	Y120P-050AS ^{Note 2)}	Y220P-050S	Y320P-050S	Y420P-050S	Y520P-050S

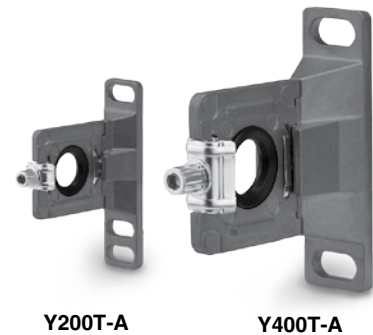
Note 1) (): Size 10

Note 2) Assembly of 2 O-rings

Spacer with Bracket



Model	A	B	C	D	E	EE	F	G	H	J	K	Applicable model
Y100T-A	6	56	24.5	43.6	20	27	6.8	4.5	13	3	25	AC10□-A
Y200T-A	3.2	67	29	53.4	24	33	12	5.5	15.5	3.5	30	AC20□-A
Y300T-A	4.2	82	41	71.5	35	—	14	7	19	4	41	AC25□-A, AC30□-A
Y400T-A	5.2	96	48	86.1	40	—	18	9	26	5	50	AC40□-A
Y500T-A	5.2	96	48	89.6	40	—	18	9	26	5	50	AC40□-06-A



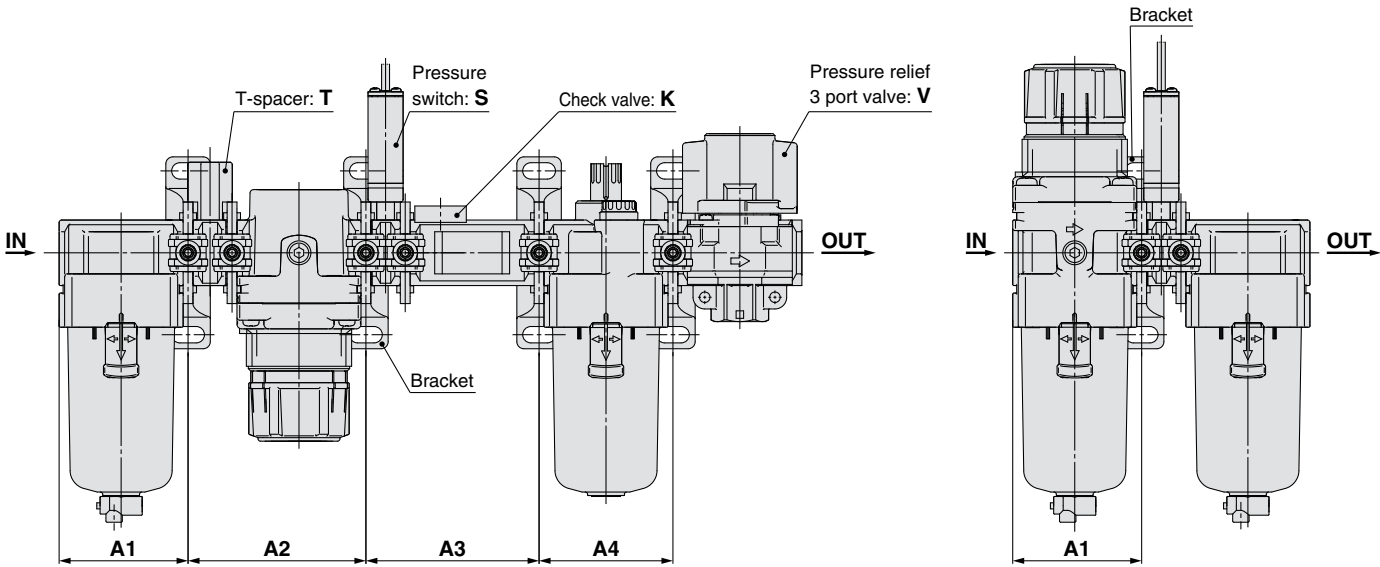
Replacement Parts

Description	Material	Part no.				
		Y100T-A	Y200T-A	Y300T-A	Y400T-A	Y500T-A
Seal	HNBR (NBR) ^{Note 1)}	Y120P-050AS ^{Note 2)}	Y220P-050S	Y320P-050S	Y420P-050S	Y520P-050S

Note 1) (): Size 10

Note 2) Assembly of 2 O-rings

Mounting Position for Spacer with Bracket



Attachment Model	K			S		T		V			KS			KT			KV				KST		
	A1	A2	A3	A1	A2	A1	A2	A1	A2	A3	A1	A2	A3	A1	A2	A3	A1	A2	A3	A4	A1	A2	A3
AC10-A	—	—	—	—	—	28	48.2	—	—	—	—	—	—	—	—	—	—	—	—	—	—	—	—
AC20-A	41.6	43.2	43.2	41.6	43.2	41.6	61	41.6	43.2	43.2	41.6	43.2	57	41.6	61	43.2	41.6	43.2	43.2	43.2	41.6	61	57
AC25-A	55.1	57.2	57.2	55.1	57.2	55.1	76	55.1	57.2	57.2	55.1	57.2	74	55.1	76	57.2	55.1	57.2	57.2	57.2	55.1	76	74
AC30-A	55.1	57.2	57.2	55.1	57.2	55.1	76	55.1	57.2	57.2	55.1	57.2	74	55.1	76	57.2	55.1	57.2	57.2	57.2	55.1	76	74
AC40-A	72.6	75.2	75.2	72.6	75.2	72.6	99	72.6	57.2	75.2	72.6	75.2	95	72.6	99	75.2	72.6	75.2	75.2	75.2	72.6	99	95
AC40-06-A	—	—	—	77.6	80.2	77.6	104	77.6	80.2	80.2	—	—	—	—	—	—	—	—	—	—	—	—	—

Attachment Model	KSV				KTV				KSTV				ST		SV			STV			TV			
	A1	A2	A3	A4	A1	A2	A3	A4	A1	A2	A3	A4	A1	A2	A1	A2	A3	A1	A2	A3	A1	A2	A3	
AC10-A	—	—	—	—	—	—	—	—	—	—	—	—	—	—	—	—	—	—	—	—	—	—	—	
AC20-A	41.6	43.2	57	43.2	41.6	61	43.2	43.2	41.6	61	57	43.2	41.6	61	41.6	43.2	57	41.6	61	57	41.6	61	43.2	
AC25-A	55.1	57.2	74	57.2	55.1	76	57.2	57.2	55.1	76	74	57.2	55.1	76	55.1	57.2	74	55.1	76	74	55.1	76	57.2	
AC30-A	55.1	57.2	74	57.2	55.1	76	57.2	57.2	55.1	76	74	57.2	55.1	76	55.1	57.2	74	55.1	76	74	55.1	76	57.2	
AC40-A	72.6	75.2	95	75.2	72.6	99	75.2	75.2	72.6	99	95	75.2	72.6	99	72.6	75.2	95	72.6	75.2	95	72.6	99	75.2	
AC40-06-A	—	—	—	—	—	—	—	—	—	—	—	—	—	—	77.6	104	77.6	80.2	102	77.6	104	102	77.6	104

Attachment Model	K		S		V		KS		KV			KSV			SV	
	A1	A2	A1	A2	A1	A2	A1	A2	A1	A2	A3	A1	A2	A3	A1	A2
AC10A-A	—	—	—	—	—	—	—	—	—	—	—	—	—	—	—	—
AC20A-A	41.6	43.2	41.6	41.6	41.6	43.2	41.6	57	41.6	43.2	43.2	41.6	57	43.2	41.6	57
AC30A-A	55.1	57.2	55.1	55.1	57.2	55.1	74	55.1	57.2	55.1	74	57.2	55.1	74	55.1	74
AC40A-A	72.6	75.2	72.6	72.6	75.2	72.6	95	72.6	75.2	72.6	75.2	72.6	95	75.2	72.6	95
AC40A-06-A	—	—	77.6	77.6	80.2	—	—	—	—	—	—	—	—	—	77.6	102

Attachment Model	S		T		V		V1		SV		SV1		TV		TV1	
	A1	A2	A1	A2	A1	A2	A1	A2	A1	A2	A1	A2	A1	A2	A1	A2
AC10B-A	—	28	—	—	—	—	—	—	—	—	—	—	—	—	—	—
AC20B-A	41.6	41.6	41.6	43.2	41.6	43.2	41.6	57	41.6	43.2	41.6	61	41.6	43.2	—	—
AC25B-A	55.1	55.1	55.1	57.2	55.1	57.2	55.1	74	55.1	57.2	55.1	76	55.1	57.2	—	—
AC30B-A	55.1	55.1	55.1	57.2	55.1	57.2	55.1	74	55.1	57.2	55.1	76	55.1	57.2	—	—
AC40B-A	72.6	72.6	72.6	75.2	72.6	75.2	72.6	95	72.6	75.2	72.6	99	72.6	75.2	—	—
AC40B-06-A	77.6	77.6	77.6	80.2	77.6	80.2	77.6	102	77.6	80.2	77.6	104	77.6	80.2	—	—




Attachment Model	S		T		V			V1			SV			SV1			TV			TV1		
	A1	A2	A1	A2	A1	A2	A3	A1	A2	A3	A1	A2	A3	A1	A2	A3	A1	A2	A3	A1	A2	A3
AC20C-A	41.6	43.2	41.6	43.2	41.6	43.2	43.2	41.6	43.2	43.2	41.6	43.2	57	41.6	43.2	43.2	41.6	43.2	61	41.6	43.2	43.2
AC25C-A	55.1	57.2	55.1	57.2	55.1	57.2	57.2	55.1	57.2	57.2	55.1	57.2	74	55.1	57.2	57.2	55.1	57.2	76	55.1	57.2	57.2
AC30C-A	55.1	57.2	55.1	57.2	55.1	57.2	57.2	55.1	57.2	57.2	55.1	57.2	74	55.1	57.2	57.2	55.1	57.2	76	55.1	57.2	57.2
AC40C-A	72.6	75.2	72.6	75.2	72.6	75.2	75.2	72.6	75.2	75.2	72.6	75.2	95	72.6	75.2	75.2	72.6	75.2	99	72.6	75.2	75.2
AC40C-06-A	77.6	80.2	77.6	80.2	77.6	80.2	80.2	77.6	80.2	80.2	77.6	80.2	102	77.6	80.2	102	77.6	80.2	104	77.6	80.2	80.2

Attachment Model	S		V		V1		SV		SV1	
	A1	A2	A1	A2	A1	A2	A1	A2	A1	A2
AC20D-A	41.6	41.6	43.2	41.6	43.2	41.6	57	41.6	43.2	—
AC30D-A	55.1	55.1	57.2	55.1	57.2	55.1	74	55.1	57.2	—
AC40D-A	72.6	72.6	75.2	72.6	75.2	72.6	95	72.6	75.2	—
AC40D-06-A	77.6	77.6	80.2	77.6	80.2	77.6	102	77.6	80.2	—

- A1: Dimension from the end of the IN side to the center of the mounting hole for the first bracket.
- A2: Mounting hole pitch between the first and the second brackets.
- A3: Mounting hole pitch between the second and the third brackets.
- A4: Mounting hole pitch between the third and the fourth brackets.

Modular Type Air Filters

Series AF/AFM/AFD

Air Filter Series AF  P.35 to 43	Model AF10-A AF20-A AF30-A AF40-A AF40-06-A AF50-A AF60-A	Port size M5 x 0.8 1/8, 1/4 1/4, 3/8 1/4, 3/8, 1/2 3/4 3/4, 1 1	Filtration μm 5	Options Bracket (Except AF10-A) Float type auto drain
Mist Separator Series AFM  P.45 to 52	AFM20-A AFM30-A AFM40-A AFM40-06-A	1/8, 1/4 1/4, 3/8 1/4, 3/8, 1/2 3/4	0.3	Bracket Float type auto drain
Micro Mist Separator Series AFD  P.45 to 52	AFD20-A AFD30-A AFD40-A AFD40-06-A	1/8, 1/4 1/4, 3/8 1/4, 3/8, 1/2 3/4	0.01	Bracket Float type auto drain

AC

AF+AR+AL

AW+AL

AF+AR

AF+AFM+AR

AW+AFM

Attachment

AF

AFM / AFD

AR

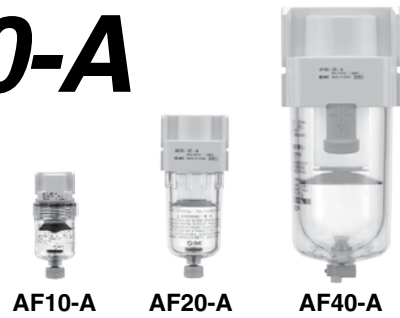
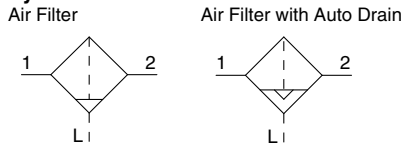
AL

AW

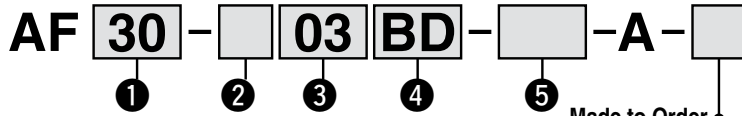
Air Filter

AF10-A to AF60-A

Symbol



How to Order



(Refer to pages 42 and 43 for details.)

- Option/Semi-standard: Select one each for a to f.
- Option/Semi-standard symbol: When more than one specification is required, indicate in alphanumeric order.
Example) AF30-03BD-R-A

	Symbol	Description	① Body size						
			10	20	30	40	50	60	
② Pipe thread type	Nil	Metric thread (M5)	●	—	—	—	—	—	
	N <small>Note 1)</small>	Rc	—	●	●	●	●	●	
	F <small>Note 2)</small>	NPT	—	●	●	●	●	●	
		G	—	●	●	●	●	●	
③ Port size	M5	M5 x 0.8	●	—	—	—	—	—	
	01	1/8	—	●	—	—	—	—	
	02	1/4	—	●	●	—	—	—	
	03	3/8	—	—	●	●	—	—	
	04	1/2	—	—	—	●	—	—	
	06	3/4	—	—	—	●	●	—	
	10	1	—	—	—	—	●	●	
④ Option	a Mounting	Nil Without mounting option	●	●	●	●	●	●	
	B <small>Note 3)</small>	With bracket	—	●	●	●	●	●	
b Float type auto drain	Nil	Without auto drain	●	●	●	●	●	●	
	C <small>Note 4)</small>	N.C. (Normally closed) Drain port is closed when pressure is not applied.	●	●	●	●	●	●	
	D <small>Note 5)</small>	N.O. (Normally open) Drain port is open when pressure is not applied.	—	—	●	●	●	●	
⑤ Semi-standard	c Bowl <small>Note 6)</small>	Nil	Polycarbonate bowl	●	●	●	●	●	●
		2	Metal bowl	●	●	●	●	●	●
		6	Nylon bowl	●	●	●	●	●	●
		8	Metal bowl with level gauge	—	—	●	●	●	●
		C	With bowl guard	—	●	— <small>Note 7)</small>	— <small>Note 7)</small>	— <small>Note 7)</small>	— <small>Note 7)</small>
		6C	With bowl guard (Nylon bowl)	—	●	— <small>Note 8)</small>	— <small>Note 8)</small>	— <small>Note 8)</small>	— <small>Note 8)</small>
	d Drain port <small>Note 9)</small>	Nil	With drain cock	●	●	●	●	●	●
J <small>Note 10)</small>	Drain guide 1/8	—	●	—	—	—	—		
W <small>Note 11)</small>	Drain guide 1/4	—	—	●	●	●	●		
		Drain cock with barb fitting	—	—	●	●	●	●	
e Flow direction	Nil	Flow direction: Left to right	●	●	●	●	●	●	
	R	Flow direction: Right to left	●	●	●	●	●	●	
f Pressure unit	Nil	Name plate and caution plate for bowl in imperial units: MPa	●	●	●	●	●	●	
	Z <small>Note 12)</small>	Name plate and caution plate for bowl in imperial units: psi, °F	○ <small>Note 13)</small>	○ <small>Note 13)</small>	○ <small>Note 13)</small>	○ <small>Note 13)</small>	○ <small>Note 13)</small>	○ <small>Note 13)</small>	

Note 1) Drain guide is NPT1/8 (applicable to the AF20-A) and NPT1/4 (applicable to the AF30-A to AF60-A).

The auto drain port comes with $\phi 3/8$ " One-touch fitting (applicable to the AF30-A to AF60-A).

Note 2) Drain guide is G1/8 (applicable to the AF20-A) and G1/4 (applicable to the AF30-A to AF60-A).

The auto drain port comes with $\phi 10$ One-touch fitting (applicable to the AF30-A to AF60-A).

Note 3) Option B is not assembled and supplied loose at the time of shipment. Assembly of a bracket and 2 mounting screws.

Note 4) When pressure is not applied, condensate which does not start the auto drain mechanism will be left in the bowl.

Releasing the residual condensate before ending operations for the day is recommended.

Note 5) If the compressor is small (0.75 kW, discharge flow is less than 100 L/min [ANR]), air leakage from the drain cock may occur during start of operations. N.C. type is recommended.

Note 6) Refer to Chemical data on page 38 for chemical resistance of the bowl.

Note 7) A bowl guard is provided as standard equipment (polycarbonate).

Note 8) A bowl guard is provided as standard equipment (nylon).

Note 9) The combination of float type auto drain: C and D is not available.

Note 10) Without a valve function

Note 11) The combination of metal bowl: 2 and 8 is not available.

Note 12) For pipe thread type: M5, NPT. This product is for overseas use only according to the new Measurement Law. (The SI unit type is provided for use in Japan.)

Note 13) ○: For pipe thread type: M5, NPT only

Air Filters Series AF10-A to AF60-A

Standard Specifications

Model	AF10-A	AF20-A	AF30-A	AF40-A	AF40-06-A	AF50-A	AF60-A
Port size	M5 x 0.8	1/8, 1/4	1/4, 3/8	1/4, 3/8, 1/2	3/4	3/4, 1	1
Fluid	Air						
Ambient and fluid temperature	23 to 140°F (-5 to 60°C) (with no freezing)						
Proof pressure	218 psi (1.5 MPa)						
Maximum operating pressure	145 psi (1.0 MPa)						
Nominal filtration rating	5 μm						
Drain capacity (cm ³)	2.5	8	25	45			
Bowl material	Polycarbonate						
Bowl guard	—	Semi-standard (Steel)	Standard (Polycarbonate)				
Weight (kg)	0.06	0.08	0.18	0.36	0.41	0.87	1.00

Options/Part No.

Optional specifications	Model						
	AF10-A	AF20-A	AF30-A	AF40-A	AF40-06-A	AF50-A	AF60-A
Bracket assembly ^{Note)}	—	AF22P-050AS	AF32P-050AS	AF42P-050AS	AF42P-070AS	AF52P-050AS	

Note) Assembly of a bracket and 2 mounting screws

Bowl Assembly/Part No.

Bowl material	Drain discharge mechanism	Drain port	Other	Model							
				AF10-A	AF20-A	AF30-A	AF40-A	AF40-06-A	AF50-A	AF60-A	
Polycarbonate bowl	Manual discharge	With drain cock	—	C1SF-A	C2SF-A	—	—				
			With bowl guard	—	C2SF-C-A	C3SF-A	C4SF-A				
		Drain cock with barb fitting	With bowl guard	—	—	C3SF-W-A	C4SF-W-A				
			With bowl guard	—	C2SF□-J-A	—	—				
	Automatic discharge ^{Note)} (Auto drain)	Normally closed (N.C.)	With bowl guard	—	AD17-A	AD27-A	—	—			
			With bowl guard	—	AD27-C-A	AD37□-A	AD47□-A				
Nylon bowl	Manual discharge	With drain cock	—	C1SF-6-A	C2SF-6-A	—	—				
			With bowl guard	—	C2SF-6C-A	C3SF-6-A	C4SF-6-A				
		Drain cock with barb fitting	With bowl guard	—	—	C3SF-6W-A	C4SF-6W-A				
			With bowl guard	—	C2SF□-6J-A	—	—				
	Automatic discharge ^{Note)} (Auto drain)	Normally closed (N.C.)	With bowl guard	—	AD17-6-A	AD27-6-A	—	—			
			With bowl guard	—	AD27-6C-A	AD37□-6-A	AD47□-6-A				
Metal bowl	Manual discharge	With drain cock	—	C1SF-2-A	C2SF-2-A	C3SF-2-A	C4SF-2-A				
			With level gauge	—	—	C3LF-8-A	C4LF-8-A				
		With drain guide (without valve function)	With level gauge	—	—	C2SF□-2J-A	C3SF□-2J-A	C4SF□-2J-A			
			With level gauge	—	—	C3LF□-8J-A	C4LF□-8J-A				
	Automatic discharge ^{Note)} (Auto drain)	Normally closed (N.C.)	With level gauge	—	AD17-2-A	AD27-2-A	AD37□-2-A	AD47□-2-A			
			With level gauge	—	—	AD37□-8-A	AD47□-8-A				
Automatic discharge ^{Note)} (Auto drain)	Normally open (N.O.)	With level gauge	—	—	AD38□-2-A	AD48□-2-A					
		With level gauge	—	—	AD38□-8-A	AD48□-8-A					

Note) Minimum operating pressure: N.O. type—15 psi (0.1 MPa) (AD38-A, AD48-A); N.C. type—15 psi (0.1 MPa) (AD17-A, AD27-A) and 22 psi (0.15 MPa) (AD37-A, AD47-A).

Bowl assembly for the AF20-A to AF60-A models comes with a bowl seal.

□ in bowl assembly part numbers indicates a pipe thread type (applicable tubing for auto drain).

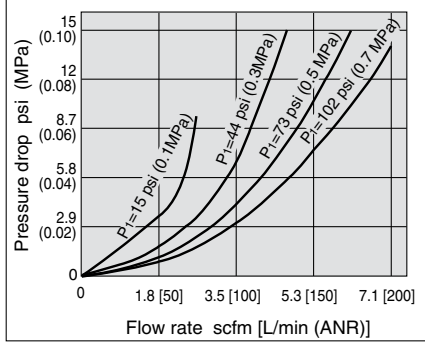
No indication is necessary for Rc thread; however, indicate N for NPT thread, and F for G thread. (For auto drain, Nil: ø10, N: ø3/8")

Please consult with SMC separately for psi and °F unit display specifications.

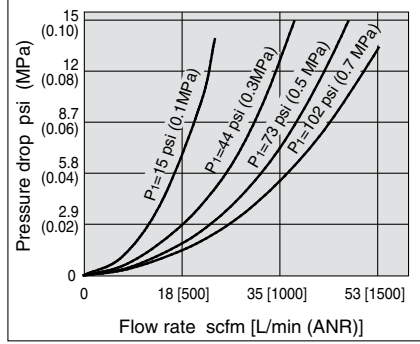
Series AF10-A to AF60-A

Flow-rate Characteristics (Representative values)

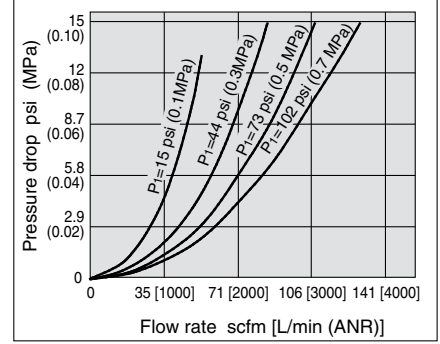
AF10-A M5



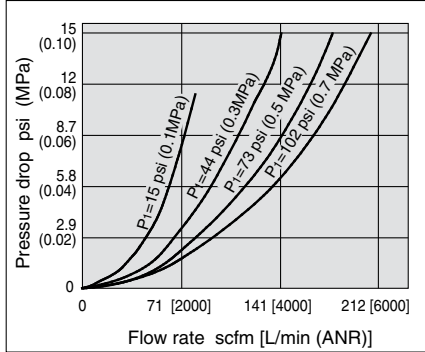
AF20-A Rc1/4



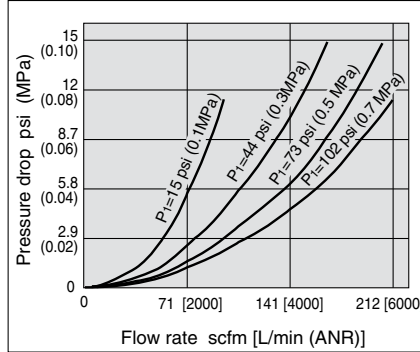
AF30-A Rc3/8



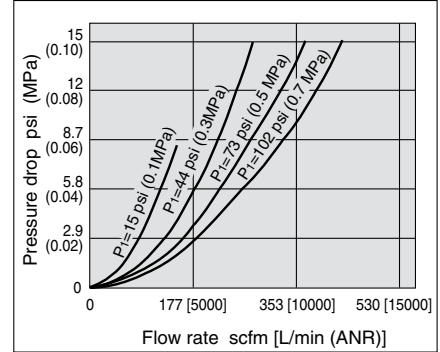
AF40-A Rc1/2



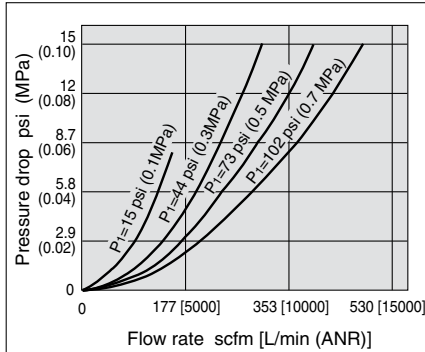
AF40-06-A Rc3/4



AF50-A Rc1



AF60-A Rc1



⚠ Specific Product Precautions

Be sure to read this before handling. Refer to the back cover for Safety Instructions, "Handling Precautions for SMC Products" and the Operation Manual for F.R.L. Precautions, <http://www.smcworld.com>

Design/Selection

⚠ Warning

1. The standard bowl for the air filter, filter regulator, and lubricator, as well as the sight dome for the lubricator are made of polycarbonate. Do not use in an environment where they are exposed to or come in contact with organic solvents, chemicals, cutting oil, synthetic oil, alkali, and thread lock solutions.

Effects of atmosphere of organic solvents and chemicals, and where these elements are likely to adhere to the equipment.

Chemical data for substances causing degradation (Reference)

Type	Chemical name	Application examples	Material	
			Polycarbonate	Nylon
Acid	Hydrochloric acid Sulfuric acid, Phosphoric acid Chromic acid	Acid washing liquid for metals	△	×
Alkaline	Sodium hydroxide (Caustic soda) Potash Calcium hydroxide (Slack lime) Ammonia water Carbonate of soda	Degreasing of metals Industrial salts Water-soluble cutting oil	×	○
Inorganic salts	Sodium sulfide Sulfate of potash Sulfate of soda	—	×	△
Chlorine solvents	Carbon tetrachloride Chloroform Ethylene chloride Methylene chloride	Cleansing liquid for metals Printing ink Dilution	×	△
Aromatic series	Benzene Toluene Paint thinner	Coatings Dry cleaning	×	△
Ketone	Acetone Methyl ethyl ketone Cyclohexane	Photographic film Dry cleaning Textile industries	×	×
Alcohol	Ethyl alcohol IPA Methyl alcohol	Antifreeze Adhesives	△	×
Oil	Gasoline Kerosene	—	×	○
Ester	Phthalic acid dimethyl Phthalic acid diethyl Acetic acid	Synthetic oil Anti-rust additives	×	○
Ether	Methyl ether Ethyl ether	Brake oil additives	×	○
Amino	Methyl amino	Cutting oil Brake oil additives Rubber accelerator	×	×
Others	Thread-lock fluid Seawater Leak tester	—	×	△

○: Essentially safe △: Some effects may occur. ×: Effects will occur.

When the above factors are present, or there is some doubt, use a metal bowl for safety.

Maintenance

⚠ Warning

1. Replace the element every 2 years or when the pressure drop becomes 0.1 MPa, whichever comes first, to prevent damage to the element.

Mounting/Adjustment

⚠ Caution

1. When the bowl is installed on the air filter (AF30-A to AF60-A), install them so that the lock button lines up to the groove of the front (or the back) of the body to avoid drop or damage of the bowl.



AC

AF+AR+AL

AW+AL

AF+AR

AF+AFM+AR

AW+AFM

Attachment

AF

AFM / AFD

AR

AL

AW

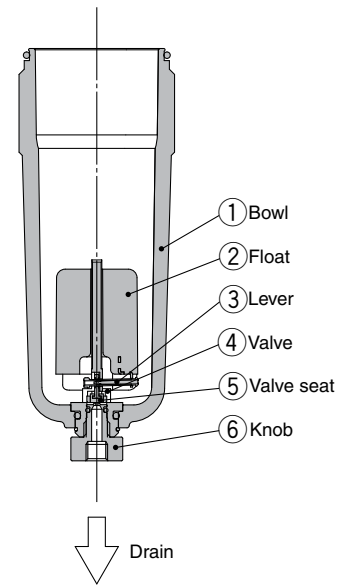
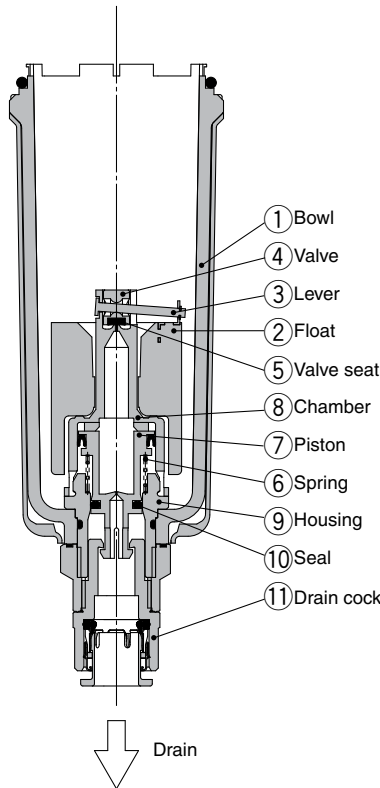
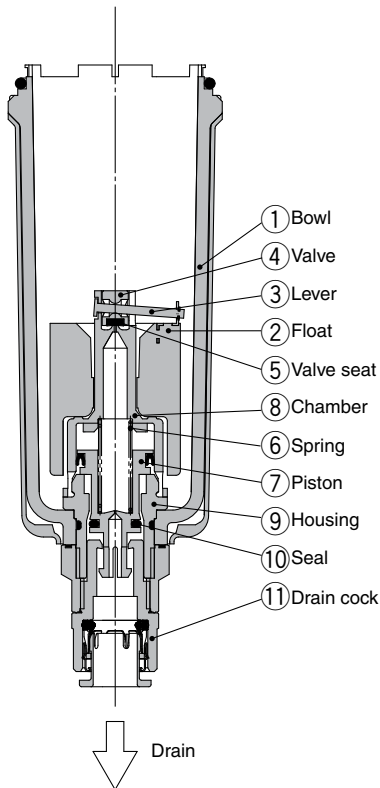
Series AF10-A to AF60-A

Working Principle: Float Type Auto Drain

N.O. type: AD38-A, AD48-A

N.C. type: AD37-A, AD47-A

Compact auto drain N.C. type:
AD17-A, AD27-A



• **When pressure inside the bowl is released:**

When pressure is released from the bowl ①, the piston ⑦ is lowered by the spring ⑥.

The sealing action of the seal ⑩ is interrupted, and the outside air flows inside the bowl ① through the housing hole ⑨ and the drain cock ⑪.

Therefore, if there is an accumulation of condensate in the bowl ①, it will drain out through the drain cock.

• **When pressure is applied inside the bowl:**

When pressure is 0.1 MPa or more, the force of the piston ⑦ surpasses the force of the spring ⑥, and the piston goes up.

This pushes seal ⑩ up so that it creates a seal, and the inside of the bowl ①, is shut off from the outside air.

If there is no accumulation of condensate in the bowl ① at this time, the float ② will be pulled down by its own weight, causing the valve ④, which is connected to the lever ③, to seal the valve seat ⑤.

• **When there is an accumulation of condensate in the bowl:**

The float ② rises due to its own buoyancy and the seal at the valve seat ⑤ is interrupted.

This allows the pressure inside the bowl ① to enter the chamber ⑧. The result is that the combined pressure inside the chamber ⑧ and the force of the spring ⑥ lowers the piston ⑦.

This causes the sealing action of the seal ⑩ to be interrupted, and the accumulated condensate in the bowl ① drains out through the drain cock ⑪.

Turning the drain cock ⑪ manually counterclockwise lowers the piston ⑦, and causes the seal created by the seal ⑩ to be interrupted, thus allowing the condensate to drain out.

• **When pressure inside the bowl is released:**

Even when pressure inside the bowl ① is released, spring ⑥ keeps the piston ⑦ in its upward position.

This keeps the seal created by the seal ⑩ in place; thus, the inside of the bowl ① is shut off from the outside air.

Therefore, even if there is an accumulation of condensate in the bowl ①, it will not drain out.

• **When pressure is applied inside the bowl:**

Even when pressure is applied inside the bowl q, the combined force of the spring ⑥ and the pressure inside the bowl q keeps the piston ⑦ in its upward position.

This maintains the seal created by the seal ⑩ in place; thus, the inside of the bowl ① is shut off from the outside air.

If there is no accumulation of condensate in the bowl ① at this time, the float ② will be pulled down by its own weight, causing the valve ④, which is connected to the lever ③, to seal the valve seat ⑤.

• **When there is an accumulation of condensate in the bowl:**

The float ② rises due to its own buoyancy and the seal at the valve seat ⑤ is interrupted. This allows the pressure inside the bowl ① to enter the chamber ⑧.

The result is that the pressure inside the chamber ⑧ surpasses the force of the spring ⑥ and pushes the piston ⑦ downward.

This causes the sealing action of the seal ⑩ to be interrupted and the accumulated condensate in the bowl ① drains out through the drain cock ⑪.

Turning the drain cock ⑪ manually counterclockwise lowers the piston ⑦, and causes the seal created by the seal ⑩ to be interrupted, thus allowing the condensate to drain out.

• **When pressure inside the bowl is released:**

Even when pressure inside the bowl ① is released, the weight of the float ② causes the valve ④, which is connected to the lever ③, to seal the valve seat ⑤. As a result, the inside of the bowl ① is shut off from the outside air.

Therefore, even if there is an accumulation of condensate in the bowl ①, it will not drain out.

• **When pressure is applied inside the bowl:**

Even when pressure is applied inside the bowl ①, the weight of the float ② and the differential pressure that is applied to the valve ④ cause the valve ④ to seal the valve seat ⑤, and the outside air is shut off from the inside of the bowl ①.

• **When there is an accumulation of condensate in the bowl:**

The float ② rises due to its own buoyancy and the seal at the valve seat ⑤ is interrupted.

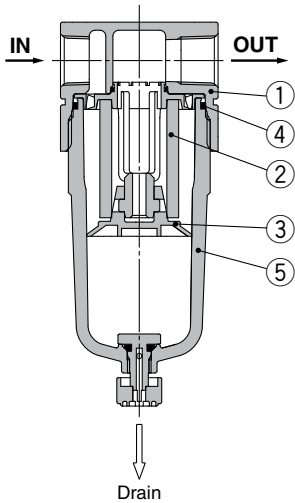
The condensate inside the bowl ① drains out through the knob ⑥.

Turning the knob ⑥ manually counterclockwise lowers it and causes the sealing action of the valve seat ⑤ to be interrupted, which allows the condensate to drain out.

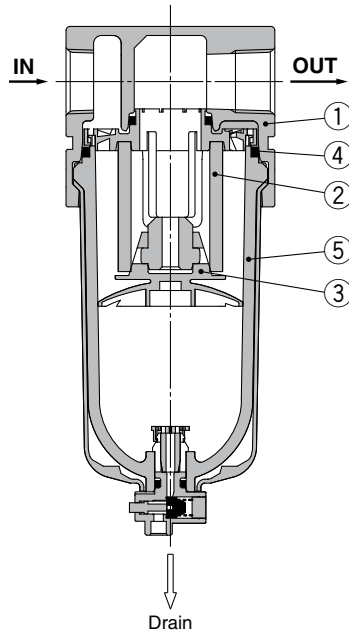
Air Filters Series AF10-A to AF60-A

Construction

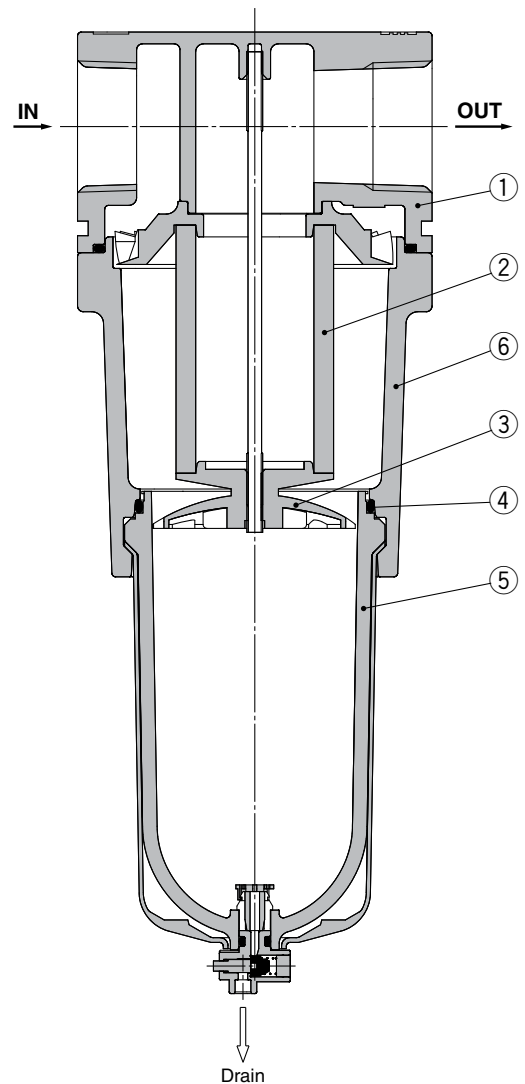
AF10-A/AF20-A



AF30-A to AF40-06-A



AF50-A/AF60-A



Component Parts

No.	Description	Material	Model	Color
1	Body	Zinc die-cast	AF10-A	White
		Aluminum die-cast	AF20-A to AF60-A	
6	Housing	Aluminum die-cast	AF50-A/AF60-A	White

Replacement Parts

No.	Description	Material	Part no.						
			AF10-A	AF20-A	AF30-A	AF40-A	AF40-06-A	AF50-A	AF60-A
2	Filter element	Non-woven fabric	AF10P-060S	AF20P-060S	AF30P-060S	AF40P-060S		AF50P-060S	AF60P-060S
3	Baffle	PBT	AF10P-040S ^{Note 2)}	AF22P-040S	AF32P-040S	AF42P-040S		AF50P-040S	AF60P-040S
4	Bowl seal	NBR	C1SFP-260S	C2SFP-260S	C32FP-260S	C42FP-260S			
5	Bowl assembly ^{Note 1)}	Polycarbonate	C1SF-A	C2SF-A	C3SF-A	C4SF-A			

Note 1) Bowl seal is included for the AF20-A to AF60-A. Please contact SMC regarding the supply of bowl assembly with psi and °F unit display specifications.

Note 2) The baffle material for the AF10-A (AF10P-040S) only is polyacetal.

AC

AF+AR+AL

AW+AL

AF+AR

AF+AFM+AR

AW+AFM

Attachment

AF

AFM / AFD

AR

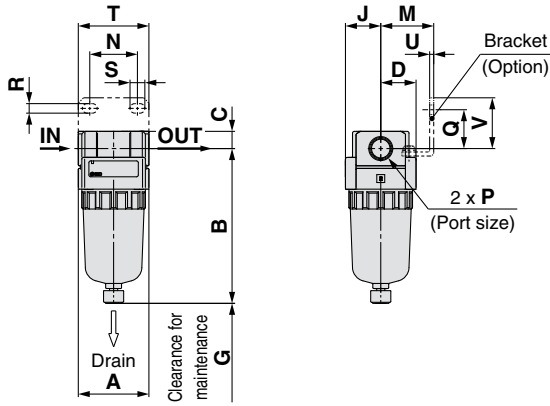
AL

AW

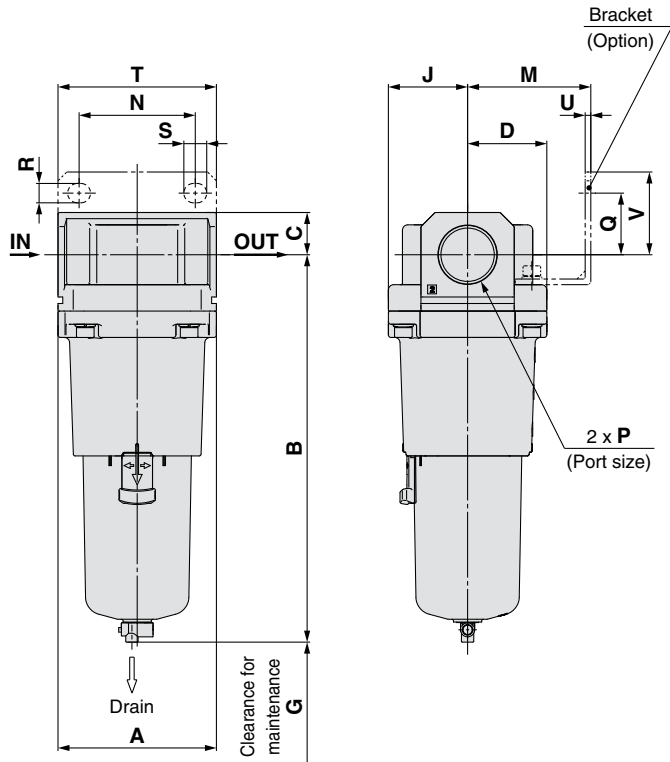
Series AF10-A to AF60-A

Dimensions

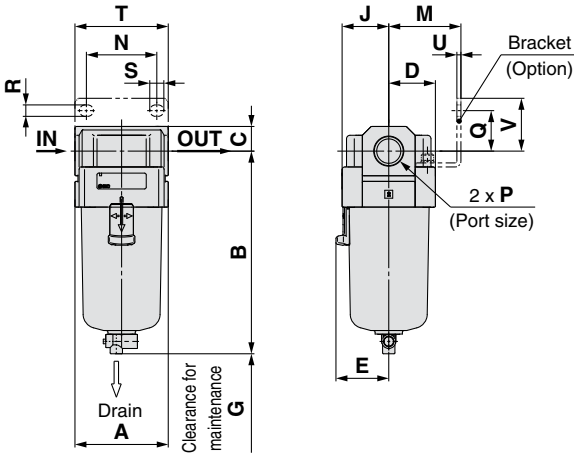
AF10-A/AF20-A



AF50-A/AF60-A



AF30-A to AF40-06-A



Applicable model	AF10-A/AF20-A		AF20-A		AF30-A to AF60-A
Optional/Semi-standard specifications	With auto drain (N.C.)	Metal bowl	With drain guide	Metal bowl with drain guide	With auto drain (N.O./N.C.)
Dimensions					

Applicable model	AF30-A to AF60-A					
Optional/Semi-standard specifications	Metal bowl	Metal bowl with drain guide	Metal bowl with level gauge	Metal bowl with level gauge, with drain guide	With drain guide	Drain cock with barb fitting
Dimensions						

Model	Standard specifications																Optional specifications			Semi-standard specifications						
																	Bracket mount			With auto drain	With barb fitting	With drain guide	Metal bowl	Metal bowl with drain guide	Metal bowl with level gauge	Metal bowl with level gauge, with drain guide
	P	A	B	C	D	E	G	J	M	N	Q	R	S	T	U	V	B	B	B	B	B	B	B			
AF10-A	M5 x 0.8	25	59.9	7	12.5	—	25	12.5	—	—	—	—	—	—	—	77.9	—	—	59.3	—	—	—				
AF20-A	1/8, 1/4	40	87.6	9.8	20	—	25	20	30	27	22	5.4	8.4	40	2.3	28	104.9	—	91.4	87.4	93.9	—	—			
AF30-A	1/4, 3/8	53	115.1	14	26.7	30	35	26.7	41	40	23	6.5	8	53	2.3	30	156.8	123.6	121.9	117.6	122.1	137.6	142.1			
AF40-A	1/4, 3/8, 1/2	70	147.1	18	35.5	38.4	40	35.5	50	54	26	8.5	10.5	70	2.3	34	188.9	155.6	153.9	149.6	154.1	169.6	174.1			
AF40-06-A	3/4	75	149.1	20	35.5	38.4	40	35.5	50	54	25	8.5	10.5	70	2.3	34	188.9	157.6	155.9	151.6	156.1	171.6	176.1			
AF50-A	3/4, 1	90	220.1	24	45	—	30	45	70	66	35	11	13	90	3.2	47	259.9	228.6	226.9	222.6	227.1	242.6	247.1			
AF60-A	1	95	234.1	24	47.5	—	30	47.5	70	66	35	11	13	90	3.2	47	273.9	242.6	240.9	236.6	241.1	256.6	261.1			

Air Filter/AF20-A to AF40-06-A

Made to Order



Please contact SMC for detailed dimensions, specifications and lead times.

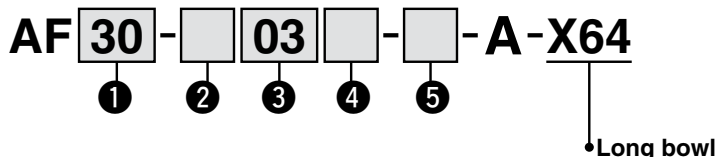
① Long Bowl

Drain capacity is greater than that of standard models.

Applicable Model/Drain Capacity

Model	AF20-A	AF30-A	AF40-A	AF40-06-A
Port size	1/8, 1/4	1/4, 3/8	1/4, 3/8, 1/2	3/4
Drain capacity (cm ³)	19	43	88	

Note) Please consult with SMC for dimensions.



- Semi-standard: Select one each for **a** to **d**.
- Option/Semi-standard symbol: When more than one specification is required, indicate in alphanumeric order.
Example) AF30-03B-2R-A-X64

	Symbol	Description	① Body size			
			20	30	40	
② Pipe thread type	Nil	Rc	●	●	●	
	N ^{Note 1)}	NPT	●	●	●	
	F ^{Note 2)}	G	●	●	●	
+						
③ Port size	01	1/8	●	—	—	
	02	1/4	●	●	●	
	03	3/8	—	●	●	
	04	1/2	—	—	●	
	06	3/4	—	—	●	
+						
④ Option (Mounting)	Nil	Without mounting option	●	●	●	
	B ^{Note 3)}	With bracket	●	●	●	
+						
⑤ Semi-standard	a Bowl ^{Note 4)}	Nil	Polycarbonate bowl	●	●	●
		2	Metal bowl	●	●	●
		6	Nylon bowl	●	●	●
		C	With bowl guard	●	— ^{Note 5)}	— ^{Note 5)}
		6C	With bowl guard (Nylon bowl)	●	— ^{Note 6)}	— ^{Note 6)}
	+					
	b Drain port	Nil	With drain cock	●	●	●
		J ^{Note 7)}	Drain guide 1/8	●	—	—
		W ^{Note 8)}	Drain cock with barb fitting (for ø6 x ø4 nylon tube)	—	●	●
	+					
c Flow direction	Nil	Flow direction: Left to right	●	●	●	
	R	Flow direction: Right to left	●	●	●	
+						
d Pressure unit	Nil	Name plate and caution plate for bowl in imperial units: MPa	●	●	●	
	Z ^{Note 9)}	Name plate and caution plate for bowl in imperial units: psi, °F	○ ^{Note 10)}	○ ^{Note 10)}	○ ^{Note 10)}	

Note 1) Drain guide is NPT1/8 (applicable to the AF20-A) and NPT1/4 (applicable to the AF30-A to AF40-06-A).

Note 2) Drain guide is G1/8 (applicable to the AF20-A) and G1/4 (applicable to the AF30-A to AF40-06-A).

Note 3) A bracket is not assembled and supplied loose at the time of shipment. Including 2 mounting screws.

Note 4) Refer to Chemical data on page 38 for chemical resistance of the bowl.

Note 5) A bowl guard is provided as standard equipment (polycarbonate).

Note 6) A bowl guard is provided as standard equipment (nylon).

Note 7) Without a valve function

Note 8) The combination of metal bowl: 2 is not available.

Note 9) For pipe thread type: NPT. This product is for overseas use only according to the new Measurement Law. (The SI unit type is provided for use in Japan.)

Note 10) ○: For pipe thread type: NPT only



AC

AF+AR+AL

AW+AL

AF+AR

AF+AFM+AR

AW+AFM

Attachment

AF

AFM/AFD

AR

AL

AW

Air Filter/AF20-A to AF40-06-A

Made to Order

Please contact SMC for detailed dimensions, specifications and lead times.



② With Element Service Indicator

Clogging status of elements can be checked visually.

Applicable Model

Model	AF20-A	AF30-A	AF40-A	AF40-06-A
Port size	1/8, 1/4	1/4, 3/8	1/4, 3/8, 1/2	3/4

AF **30** - **03** - **03** - **03** - **A-X2141**

① ② ③ ④ ⑤

- Option/Semi-standard: Select one each for a to f.
- Option/Semi-standard symbol: When more than one specification is required, indicate in alphanumeric order.
Example) AF30-03BD-2R-A-X2141

• With element service indicator

A special body type is required to mount the element service indicator. It cannot be mounted on a standard body.

		Symbol	Description	① Body size			
				20	30	40	
②	Pipe thread type	Nil	Rc	●	●	●	
		N ^{Note 1)}	NPT	●	●	●	
		F ^{Note 2)}	G	●	●	●	
+							
③	Port size	01	1/8	●	—	—	
		02	1/4	●	●	●	
		03	3/8	—	●	●	
		04	1/2	—	—	●	
		06	3/4	—	—	●	
+							
④ Option	a Mounting	Nil	Without mounting option	●	●	●	
		B ^{Note 3)}	With bracket	●	●	●	
	+						
	b Float type auto drain	Nil	Without auto drain	●	●	●	
C ^{Note 4)}		N.C. (Normally closed) Drain port is closed when pressure is not applied.	●	●	●		
D ^{Note 5)}		N.O. (Normally open) Drain port is open when pressure is not applied.	—	●	●		
+							
⑤ Semi-standard	c Bowl ^{Note 6)}	Nil	Polycarbonate bowl	●	●	●	
		2	Metal bowl	●	●	●	
		6	Nylon bowl	●	●	●	
		8	Metal bowl with level gauge	—	●	●	
		C	With bowl guard	●	— ^{Note 7)}	— ^{Note 7)}	
		6C	With bowl guard (Nylon bowl)	●	— ^{Note 8)}	— ^{Note 8)}	
	+						
	d Drain port ^{Note 12)}	Nil	With drain cock	●	●	●	
		J ^{Note 9)}	Drain guide 1/8	●	—	—	
		W ^{Note 13)}	Drain guide 1/4	—	●	●	
	+						
e Flow direction	Nil	Flow direction: Left to right	●	●	●		
	R	Flow direction: Right to left	●	●	●		
+							
f Pressure unit	Nil	Name plate and caution plate for bowl in imperial units: MPa	●	●	●		
	Z ^{Note 10)}	Name plate and caution plate for bowl in imperial units: psi, °F	○ ^{Note 11)}	○ ^{Note 11)}	○ ^{Note 11)}		

Note 1) Drain guide is NPT1/8 (applicable to the AF20-A) and NPT1/4 (applicable to the AF30-A to AF40-06-A).

The auto drain port comes with ø3/8" One-touch fitting (applicable to the AF30-A to AF40-06-A).

Note 2) Drain guide is G1/8 (applicable to the AF20-A) and G1/4 (applicable to the AF30-A to AF40-06-A).

Note 3) A bracket is not assembled and supplied loose at the time of shipment. Including 2 mounting screws.

Note 4) When pressure is not applied, condensate which does not start the auto drain mechanism will be left in the bowl.

Releasing the residual condensate before ending operations for the day is recommended.

Note 5) If the compressor is small (0.75 kW, discharge flow is less than 100 L/min [ANR]), air leakage from the drain cock may occur during start of operations. N.C. type is recommended.

Note 6) Refer to Chemical data on page 38 for chemical resistance of the bowl.

Note 7) A bowl guard is provided as standard equipment (polycarbonate).

Note 8) A bowl guard is provided as standard equipment (nylon).

Note 9) Without a valve function

Note 10) For pipe thread type: NPT. This product is for overseas use only according to the new Measurement Law. (The SI unit type is provided for use in Japan.)

Note 11) ○: For pipe thread type: NPT only

Note 12) The combination of float type auto drain: C and D is not available.

Note 13) The combination of metal bowl: 2 and 8 is not available.

Mist Separator

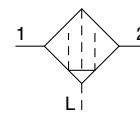
AFM20-A to AFM40-A

Micro Mist Separator

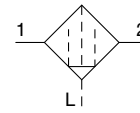
AFD20-A to AFD40-A

- Series AFM Nominal filtration rating: 0.3 μm
- Series AFD Nominal filtration rating: 0.01 μm

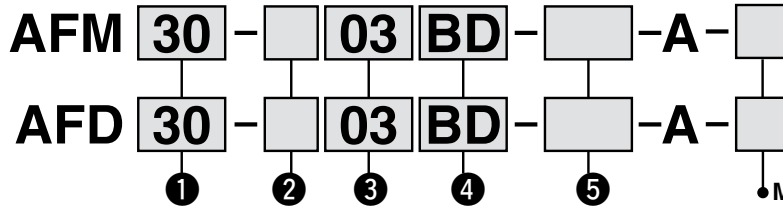
Symbol
Mist Separator



Micro Mist Separator



How to Order



- Option/Semi-standard: Select one each for a to f.
- Option/Semi-standard symbol: When more than one specification is required, indicate in alphanumeric order. Example) AFM30-03BD-R-A

• Made to Order
(Refer to pages 51 and 52 for details.)

	Symbol	Description	①			
			Body size			
			20	30	40	
② Pipe thread type	Nil	Rc	●	●	●	
	N ^{Note 1)}	NPT	●	●	●	
	F ^{Note 2)}	G	●	●	●	
③ Port size	+					
	01	1/8	●	—	—	
	02	1/4	●	●	●	
	03	3/8	—	●	●	
	04	1/2	—	—	●	
④ Option	a Mounting	Nil	Without mounting option	●	●	●
		B ^{Note 3)}	With bracket	●	●	●
④ Option	b Float type auto drain	Nil	Without auto drain	●	●	●
		C ^{Note 4)}	N.C. (Normally closed) Drain port is closed when pressure is not applied.	●	●	●
		D ^{Note 5)}	N.O. (Normally open) Drainport is open when pressure is not applied.	—	●	●
⑤ Semi-standard	c Bowl ^{Note 6)}	Nil	Polycarbonate bowl	●	●	●
		2	Metal bowl	●	●	●
		6	Nylon bowl	●	●	●
		8	Metal bowl with level gauge	—	●	●
		C	With bowl guard	●	— ^{Note 7)}	— ^{Note 7)}
		6C	With bowl guard (Nylon bowl)	●	— ^{Note 8)}	— ^{Note 8)}
	d Drain port ^{Note 12)}	+				
		Nil	With drain cock	●	●	●
		J ^{Note 9)}	Drain guide 1/8	●	—	—
		W ^{Note 13)}	Drain cock with barb fitting (for ø6 x ø4 nylon tube)	—	●	●
	e Flow direction	Nil	Flow direction: Left to right	●	●	●
R		Flow direction: Right to left	●	●	●	
f Pressure unit	Nil	Name plate and caution plate for bowl in imperial units: MPa	●	●	●	
	Z ^{Note 10)}	Name plate and caution plate for bowl in imperial units: psi, °F	○ ^{Note 11)}	○ ^{Note 11)}	○ ^{Note 11)}	

Note 1) Drain guide is NPT1/8 (applicable to the AFM20-A, AFD20-A) and NPT1/4 (applicable to the AFM30-A/40-A, AFD30-A/40-A).
The auto drain port comes with ø3/8" One-touch fitting (applicable to the AFM30-A/40-A, AFD30-A/40-A).

Note 2) Drain guide is G1/8 (applicable to the AFM20-A, AFD20-A) and G1/4 (applicable to the AFM30-A/40-A, AFD30-A/40-A).

Note 3) A bracket is not assembled and supplied loose at the time of shipment. Including 2 mounting screws

Note 4) When pressure is not applied, condensate which does not start the auto drain mechanism will be left in the bowl.
Releasing the residual condensate before ending operations for the day is recommended.

Note 5) If the compressor is small (0.75 kW, discharge flow is less than 100 L/min [ANR]), air leakage from the drain cock may occur during start of operations. N.C. type is recommended.

Note 6) Refer to Chemical data on page 48 for chemical resistance of the bowl.

Note 7) A bowl guard is provided as standard equipment (polycarbonate).

Note 8) A bowl guard is provided as standard equipment (nylon).

Note 9) Without a valve function

Note 10) For pipe thread type: NPT. This product is for overseas use only according to the new Measurement Law. (The SI unit type is provided for use in Japan.)

Note 11) ○: For pipe thread type: NPT only

Note 12) The combination of float type auto drain: C and D is not available.

Note 13) The combination of metal bowl: 2 and 8 is not available.

Mist Separator *Series AFM20-A to AFM40-A* Micro Mist Separator *Series AFD20-A to AFD40-A*

Standard Specifications

Model		AFM20-A AFD20-A	AFM30-A AFD30-A	AFM40-A AFD40-A	AFM40-06-A AFD40-06-A
Port size		1/8, 1/4	1/4, 3/8	1/4, 3/8, 1/2	3/4
Fluid		Air			
Ambient and fluid temperature		23 to 140 °F (– 5 to 60°C) (with no freezing)			
Proof pressure		218 psi (1.5 MPa)			
Maximum operating pressure		145 psi (1.0 MPa)			
Minimum operating pressure		7.3 psi (0.05 MPa)			
Nominal filtration rating	AFM20-A to AFM40-06-A	0.3 μm (99.9% filtered particle size)			
	AFD20-A to AFD40-06-A	0.01 μm (99.9% filtered particle size)			
Outlet side oil mist concentration	AFM20-A to AFM40-06-A	Max. 1.0 mg/m ³ (ANR) (≈ 0.8 ppm) ^{Note 2) Note 3)}			
	AFD20-A to AFD40-06-A	Max. 0.1 mg/m ³ (ANR) (Before saturated with oil 0.01 mg/m ³ (ANR) or less ≈ 0.008 ppm) ^{Note 2) Note 3)}			
Rated flow (L/min (ANR)) ^{Note 1)}	AFM20-A to AFM40-06-A	200	450	1100	
	AFD20-A to AFD40-06-A	120	240	600	
Drain capacity (cm ³)		8	25	45	
Bowl material		Polycarbonate			
Bowl guard		Semi-standard (Steel)		Standard (Polycarbonate)	
Weight (kg)		0.09	0.19	0.38	0.43

Note 1) Conditions: Inlet pressure: 102 psi (0.7MPa); The rated flow varies depending on the inlet pressure.

Keep the air flow within the rated flow to prevent an outflow of lubricant to the outlet side.

Note 2) When the compressor oil mist discharge concentration is 30 mg/m³ (ANR).

Note 3) Bowl seal and other O-rings are slightly lubricated.

Options/Part No.

Optional specifications		Model			
		AFM20-A AFD20-A	AFM30-A AFD30-A	AFM40-A AFD40-A	AFM40-06-A AFD40-06-A
Bracket assembly ^{Note 1)}		AF22P-050AS	AF32P-050AS	AF42P-050AS	AF42P-070AS
Float type auto drain ^{Note 2) Note 3)}	N.C.	AD27-A	AD37-A	AD47-A	
	N.O.	—	AD38-A	AD48-A	

Note 1) Assembly of a bracket and 2 mounting screws

Note 2) Minimum operating pressure: N.O. type—15 psi (0.1 MPa); N.C. type—15 psi (0.1 MPa) (AD27-A) and 22 psi (0.15 MPa) (AD37-A/AD47-A).

Please consult with SMC separately for psi and °F unit display specifications.

Note 3) Please consult with SMC for details on drain piping to fit NPT or G port sizes.

Bowl Assembly/Part No.

Bowl material	Drain discharge mechanism	Drain port	Other	Model			
				AFM20-A AFD20-A	AFM30-A AFD30-A	AFM40-A AFD40-A	AFM40-06-A AFD40-06-A
Polycarbonate bowl	Manual discharge	With drain cock	—	C2SF-A	—	—	
		Drain cock with barb fitting	With bowl guard	C2SF-C-A	C3SF-A	C4SF-A	
		With drain guide (without valve function)	With bowl guard	—	C3SF-W-A	C4SF-W-A	
	Automatic ^{Note)} discharge (Auto drain)	Normally closed (N.C.)	—	C2SF□-J-A	—	—	
		Normally open (N.O.)	With bowl guard	C2SF□-CJ-A	C3SF□-J-A	C4SF□-J-A	
		Normally closed (N.C.)	With bowl guard	AD27-A	—	—	
Nylon bowl	Manual discharge	With drain cock	—	C2SF-6-A	—	—	
		Drain cock with barb fitting	With bowl guard	C2SF-6C-A	C3SF-6-A	C4SF-6-A	
		With drain guide (without valve function)	With bowl guard	—	C3SF-6W-A	C4SF-6W-A	
	Automatic ^{Note)} discharge (Auto drain)	Normally closed (N.C.)	—	C2SF□-6J-A	—	—	
		Normally open (N.O.)	With bowl guard	C2SF□-6CJ-A	C3SF□-6J-A	C4SF□-6J-A	
		Normally closed (N.C.)	With bowl guard	AD27-6-A	—	—	
Metal bowl	Manual discharge	With drain cock	—	C2SF-2-A	C3SF-2-A	C4SF-2-A	
		With drain guide (without valve function)	With level gauge	—	C3LF-8-A	C4LF-8-A	
		Normally closed (N.C.)	With level gauge	C2SF□-2J-A	C3SF□-2J-A	C4SF□-2J-A	
	Automatic ^{Note)} discharge (Auto drain)	Normally open (N.O.)	—	AD27-2-A	AD37□-2-A	AD47□-2-A	
		Normally closed (N.C.)	With level gauge	—	AD37□-8-A	AD47□-8-A	
		Normally open (N.O.)	With level gauge	—	AD38□-2-A	AD48□-2-A	
				AD38□-8-A	AD48□-8-A		

Note) Minimum operating pressure: N.O. type—15 (0.1 MPa) (AD38-A, AD48-A); N.C. type—15 psi (0.1 MPa) (AD17-A, AD27-A) and 22 psi (0.15 MPa) (AD37-A, AD47-A).

Bowl assembly for the AFM20-A to AFM40-06-A, AFD20-A to AFD40-06-A models comes with a bowl seal.

□ in bowl assembly part numbers indicates a pipe thread type (applicable tubing for auto drain). No indication is necessary for Rc thread; however, indicate N for NPT thread, and F for G thread. (For auto drain, Nil: ø10, N: ø3/8")

Please consult with SMC separately for psi and °F unit display specifications.



AC

AF+AR+AL

AW+AL

AF+AR

AF+AFM+AR

AW+AFM

Attachment

AF

AFM / AFD

AR

AL

AW

Series AFM20-A to AFM40-A

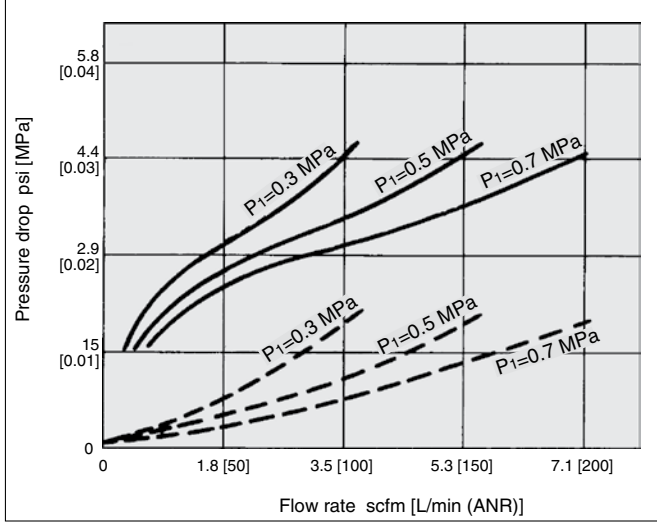
Series AFD20-A to AFD40-A

Flow-rate Characteristics (Representative values)

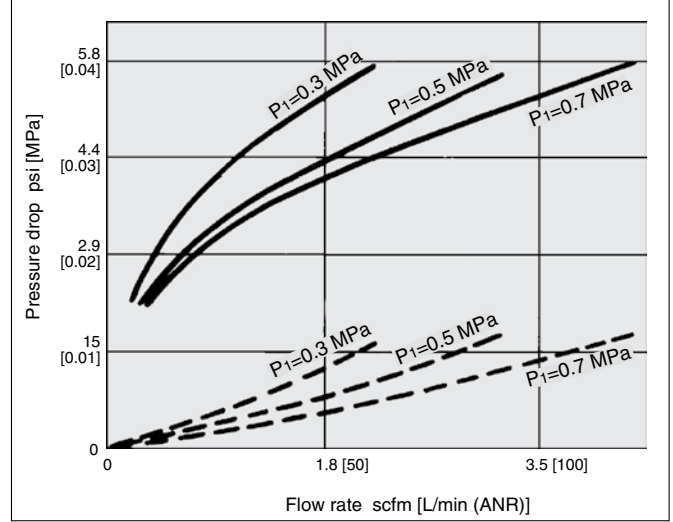
— When saturated with oil
 - - - Initial state

$P_1 = 44$ psi (0.3 MPa)
 $P_1 = 73$ psi (0.5 MPa)
 $P_1 = 102$ psi (0.7 MPa)

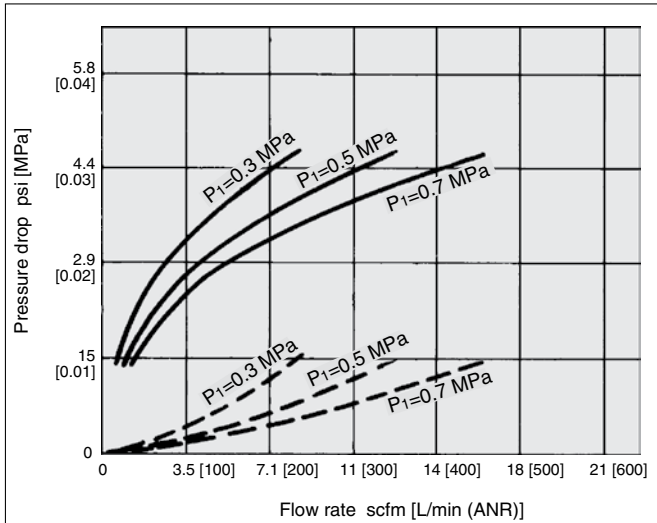
AFM20-A



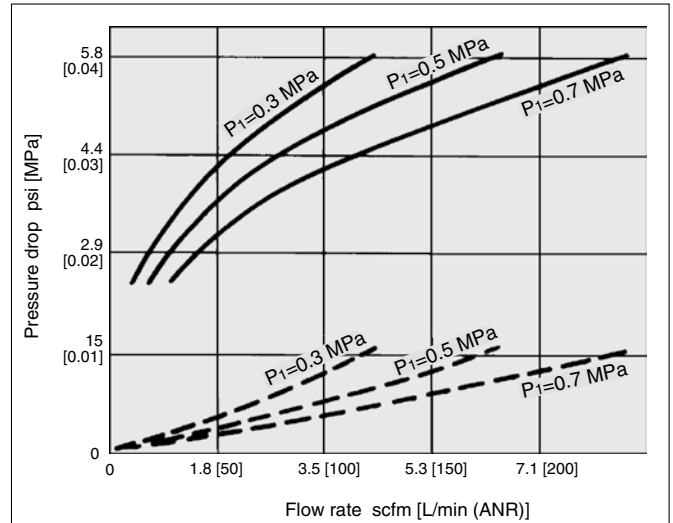
AFD20-A



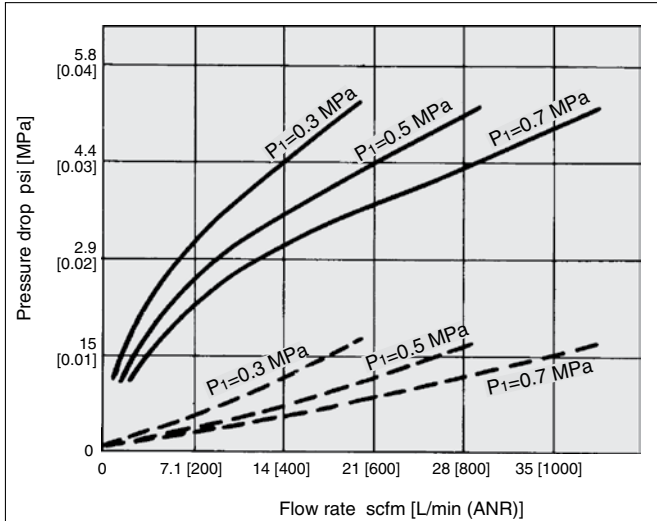
AFM30-A



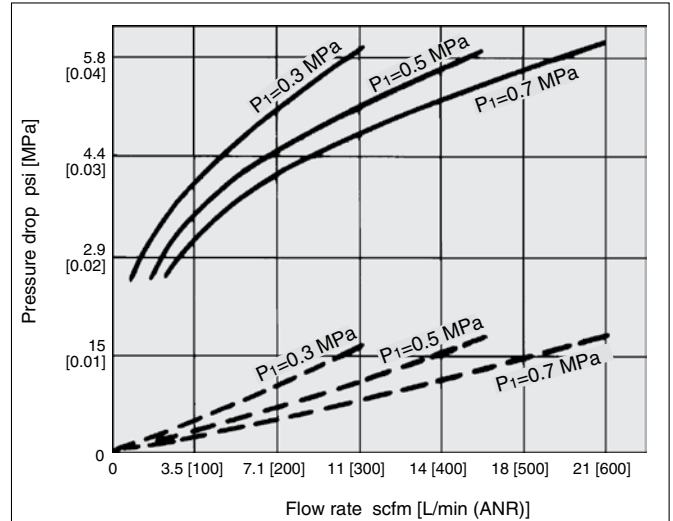
AFD30-A



AFM40-A



AFD40-A



⚠ Specific Product Precautions

Be sure to read this before handling. Refer to the back cover for Safety Instructions, "Handling Precautions for SMC Products" and the Operation Manual for F.R.L. Precautions, <http://www.smcworld.com>

Design/Selection

⚠ Warning

- The standard bowl for the air filter, filter regulator, and lubricator, as well as the sight dome for the lubricator are made of polycarbonate. Do not use in an environment where they are exposed to or come in contact with organic solvents, chemicals, cutting oil, synthetic oil, alkali, and thread lock solutions.

Effects of atmosphere of organic solvents and chemicals, and where these elements are likely to adhere to the equipment.
 Chemical data for substances causing degradation (Reference)

Type	Chemical name	Application examples	Material	
			Polycarbonate	Nylon
Acid	Hydrochloric acid Sulfuric acid, Phosphoric acid Chromic acid	Acid washing liquid for metals	△	×
Alkaline	Sodium hydroxide (Caustic soda) Potash Calcium hydroxide (Slack lime) Ammonia water Carbonate of soda	Degreasing of metals Industrial salts Water-soluble cutting oil	×	○
Inorganic salts	Sodium sulfide Sulfate of potash Sulfate of soda	—	×	△
Chlorine solvents	Carbon tetrachloride Chloroform Ethylene chloride Methylene chloride	Cleansing liquid for metals Printing ink Dilution	×	△
Aromatic series	Benzene Toluene Paint thinner	Coatings Dry cleaning	×	△
Ketone	Acetone Methyl ethyl ketone Cyclohexane	Photographic film Dry cleaning Textile industries	×	×
Alcohol	Ethyl alcohol IPA Methyl alcohol	Antifreeze Adhesives	△	×
Oil	Gasoline Kerosene	—	×	○
Ester	Phthalic acid dimethyl Phthalic acid diethyl Acetic acid	Synthetic oil Anti-rust additives	×	○
Ether	Methyl ether Ethyl ether	Brake oil additives	×	○
Amino	Methyl amino	Cutting oil Brake oil additives Rubber accelerator	×	×
Others	Thread-lock fluid Seawater Leak tester	—	×	△

○: Essentially safe △: Some effects may occur. ×: Effects will occur.

When the above factors are present, or there is some doubt, use a metal bowl for safety.

Air Supply

⚠ Caution

- Install an air filter (Series AF) as a pre-filter on the inlet side of the mist separator to prevent premature clogging.
- Install a mist separator (Series AFM) as a pre-filter on the inlet side of the micro mist separator to prevent premature clogging.
- Do not install on the inlet side of the dryer as this can cause premature clogging of the element.

Maintenance

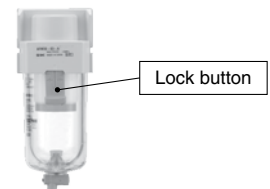
⚠ Warning

- Replace the element every 2 years or when the pressure drop becomes 15 psi (0.1 MPa), whichever comes first, to prevent damage to the element.

Mounting/Adjustment

⚠ Caution

- When the bowl is installed on the mist separator (AFM30-A/AFM40-A), or micro mist separator (AFD30-A/AFD40-A), install them so that the lock button lines up to the groove of the front (or the back) of the body to avoid drop or damage of the bowl.



Design

⚠ Caution

- Design the system so that the mist separator is installed in a pulsation-free location. The difference between internal and external pressure inside the element should be kept within 15 psi (0.1 MPa), as exceeding this value could cause damage.

Selection

⚠ Caution

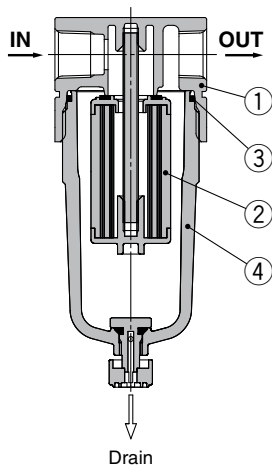
- Do not allow air flow that exceeds the rated flow. If the air flow is allowed outside the range of the rated flow even momentarily, drainage and lubricant may splash at the outlet side or cause damage to the component.
- Do not use in a low pressure application (such as a blower). An F.R.L. unit has its own minimum operating pressure depending on the equipment and is designed specifically to function with compressed air. If used below the minimum operating pressure, a loss of performance and malfunction can occur. Please contact SMC if an application under such conditions cannot be avoided.

Series AFM20-A to AFM40-A

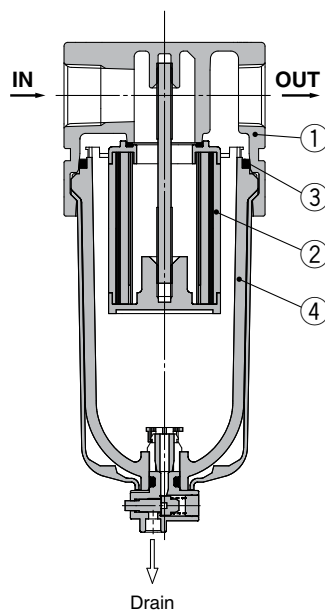
Series AFD20-A to AFD40-A

Construction

AFM20-A
AFD20-A



AFM30-A to AFM40-06-A
AFD30-A to AFD40-06-A



Component Parts

No.	Description	Material	Model	Color
1	Body	Aluminum die-cast	AFM20-A to AFM40-06-A AFD20-A to AFD40-06-A	White

Replacement Parts

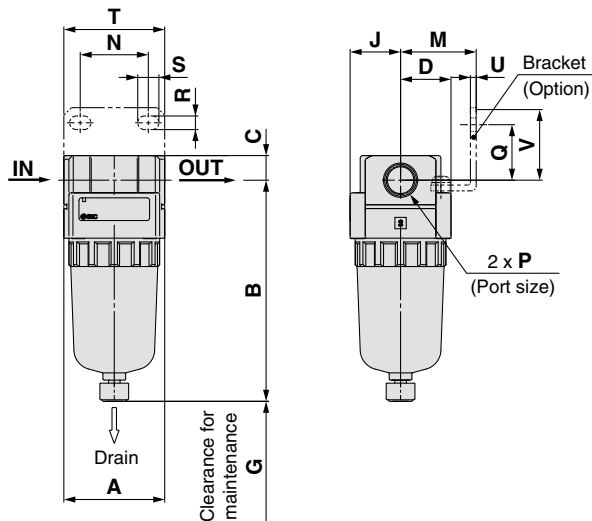
No.	Description	Material	Part no.			
			AFM20-A AFD20-A	AFM30-A AFD30-A	AFM40-A AFD40-A	AFM40-06-A AFD40-06-A
2	Element assembly	AFM20 to 40	AFM20P-060AS	AFM30P-060AS	AFM40P-060AS	
		AFD20 to 40	AFD20P-060AS	AFD30P-060AS	AFD40P-060AS	
3	Bowl seal	NBR	C2SFP-260S	C32FP-260S	C42FP-260S	
4	Bowl assembly ^(Note)	Polycarbonate	C2SF-A	C3SF-A	C4SF-A	

Note) Bowl seal is included. Please contact SMC regarding the supply of bowl assembly with psi and °F unit display specifications.

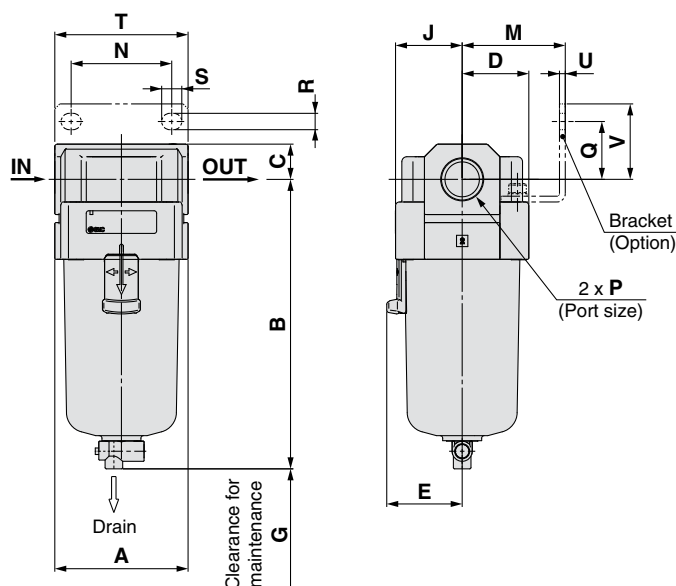
Mist Separator **Series AFM20-A to AFM40-A**
 Micro Mist Separator **Series AFD20-A to AFD40-A**

Dimensions

**AFM20-A
AFD20-A**



**AFM30-A to AFM40-06-A
AFD30-A to AFD40-06-A**



Applicable model	AFM20-A/AFD20-A				AFM30-A to AFM40-06-A/AFD30-A to AFD40-06-A	
Optional/Semi-standard specifications	With auto drain (N.C.)	With drain guide	Metal bowl	Metal bowl with drain guide	With auto drain (N.O./N.C.)	
Dimensions					<p>N.O.: Black N.C.: Gray</p> <p>Thread type/Rc, G: ø10 One-touch fitting Thread type/NPT: ø3/8" One-touch fitting</p>	

Applicable model	AFM30-A to AFM40-06-A/AFD30-A to AFD40-06-A					
Optional/Semi-standard specifications	Metal bowl	Metal bowl with drain guide	Metal bowl with level gauge	Metal bowl with level gauge, with drain guide	With drain guide	Drain cock with barb fitting
Dimensions						

Model	Standard specifications								Optional specifications								
	P	A	B	C	D	E	G	J	Bracket mount								With auto drain
AFM20-A/AFD20-A	1/8, 1/4	40	87.6	9.8	20	—	40	20	M	N	Q	R	S	T	U	V	B
AFM30-A/AFD30-A	1/4, 3/8	53	115.1	14	26.7	30	50	26.7	41	40	23	6.5	8	53	2.3	30	156.8
AFM40-A/AFD40-A	1/4, 3/8, 1/2	70	147.1	18	35.5	38.4	75	35.5	50	54	26	8.5	10.5	70	2.3	35	186.9
AFM40-06-A/AFD40-06-A	3/4	75	149.1	20	35.5	38.4	75	35.5	50	54	25	8.5	10.5	70	2.3	34	188.9

Model	Semi-standard specifications						
	With barb fitting	With drain guide	Metal bowl	Metal bowl with drain guide	Metal bowl with level gauge	Metal bowl with level gauge, with drain guide	
AFM20-A/AFD20-A	B	B	B	B	B	B	
AFM20-A/AFD20-A	—	91.4	87.4	93.9	—	—	
AFM30-A/AFD30-A	123.6	121.9	117.6	122.1	137.6	142.1	
AFM40-A/AFD40-A	155.6	153.9	149.6	154.1	169.6	174.1	
AFM40-06-A/AFD40-06-A	157.6	155.9	151.6	156.1	171.6	176.1	

AC

AF+AR+AL

AW+AL

AF+AR

AF+AFM+AR

AW+AFM

Attachment

AF

AFM / AFD

AR

AL

AW

Mist Separator/AFM20-A to AFM40-06-A Micro Mist Separator/AFD20-A to AFD40-06-A Made to Order



Please contact SMC for detailed dimensions, specifications and lead times.

① Long Bowl

Drain capacity is greater than that of standard models.

Applicable Model/Drain Capacity

Model	AFM20-A, AFD20-A	AFM30-A, AFD30-A	AFM40-A, AFD40-A	AFM40-06-A, AFD40-06-A
Port size	1/8, 1/4	1/4, 3/8	1/4, 3/8, 1/2	3/4
Drain capacity (cm ³)	19	43		88

Note) Please consult with SMC for dimensions.

AFM **30** - **03** - **A** - **X64**

AFD **30** - **03** - **A** - **X64**

①

②

③

④

⑤

• Long bowl

- Semi-standard: Select one each for **a** to **d**.
- Option/Semi-standard symbol: When more than one specification is required, indicate in alphanumeric order.
Example) AFM30-03B-2R-A-X64

		Symbol	Description	① Body size			
				20	30	40	
②	Pipe thread type	Nil	Rc	●	●	●	
		N ^{Note 1)}	NPT	●	●	●	
		F ^{Note 2)}	G	●	●	●	
+							
③	Port size	01	1/8	●	—	—	
		02	1/4	●	●	●	
		03	3/8	—	●	●	
		04	1/2	—	—	●	
		06	3/4	—	—	●	
+							
④	Option (Mounting)	Nil	Without mounting option	●	●	●	
		B ^{Note 3)}	With bracket	●	●	●	
+							
⑤	a	Bowl ^{Note 4)}	Nil	Polycarbonate bowl	●	●	●
			2	Metal bowl	●	●	●
			6	Nylon bowl	●	●	●
			C	With bowl guard	●	— ^{Note 5)}	— ^{Note 5)}
			6C	With bowl guard (Nylon bowl)	●	— ^{Note 6)}	— ^{Note 6)}
	+						
	b	Drain port	Nil	With drain cock	●	●	●
			J ^{Note 7)}	Drain guide 1/8	●	—	—
			W ^{Note 8)}	Drain cock with barb fitting (for ø6 x ø4 nylon tube)	—	●	●
	+						
	c	Flow direction	Nil	Flow direction: Left to right	●	●	●
			R	Flow direction: Right to left	●	●	●
	+						
	d	Pressure unit	Nil	Name plate and caution plate for bowl in imperial units: MPa	●	●	●
			Z ^{Note 9)}	Name plate and caution plate for bowl in imperial units: psi, °F	○ ^{Note 10)}	○ ^{Note 10)}	○ ^{Note 10)}

Note 1) Drain guide is NPT1/8 (applicable to the AFM20-A, AFD20-A) and NPT1/4 (applicable to the AFM30-A/40-A, AFD30-A/40-A).

Note 2) Drain guide is G1/8 (applicable to the AFM20-A, AFD20-A) and G1/4 (applicable to the AFM30-A/40-A, AFD30-A/40-A).

Note 3) A bracket is not assembled and supplied loose at the time of shipment. Including 2 mounting screws.

Note 4) Refer to Chemical data on page 48 for chemical resistance of the bowl.

Note 5) A bowl guard is provided as standard equipment (polycarbonate).

Note 6) A bowl guard is provided as standard equipment (nylon).

Note 7) Without a valve function

Note 8) The combination of metal bowl: 2 is not available.

Note 9) For pipe thread type: NPT. This product is for overseas use only according to the new Measurement Law. (The SI unit type is provided for use in Japan.)

Mist Separator/AFM20-A to AFM40-06-A Micro Mist Separator/AFD20-A to AFD40-06-A Made to Order

Please contact SMC for detailed dimensions, specifications and lead times.

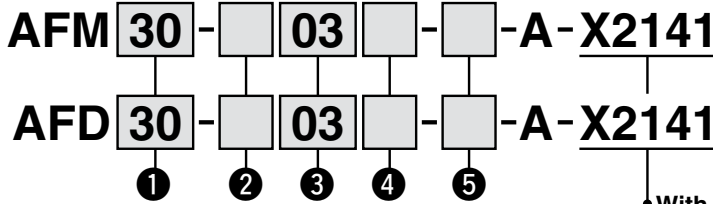


② With Element Service Indicator

Clogging status of elements can be checked visually.

Applicable Model

Model	AFM20-A, AFD20-A	AFM30-A, AFD30-A	AFM40-A, AFD40-A	AFM40-06-A, AFD40-06-A
Port size	1/8, 1/4	1/4, 3/8	1/4, 3/8, 1/2	3/4



- Option/Semi-standard: Select one each for a to f.
- Option/Semi-standard symbol: When more than one specification is required, indicate in alphanumeric order.
Example) AFM30-03BD-2R-A-X2141

A special body type is required to mount the element service indicator. It cannot be mounted on a standard body.

	Symbol	Description	① Body size			
			20	30	40	
② Pipe thread type	Nil	Rc	●	●	●	
	N ^{Note 1)}	NPT	●	●	●	
	F ^{Note 2)}	G	●	●	●	
+						
③ Port size	01	1/8	●	—	—	
	02	1/4	●	●	●	
	03	3/8	—	●	●	
	04	1/2	—	—	●	
	06	3/4	—	—	●	
+						
④ Option	a Mounting	Nil	Without mounting option	●	●	●
		B ^{Note 3)}	With bracket	●	●	●
	+					
	b Float type auto drain	Nil	Without auto drain	●	●	●
C ^{Note 4)}		N.C. (Normally closed) Drain port is closed when pressure is not applied.	●	●	●	
D ^{Note 5)}		N.O. (Normally open) Drain port is open when pressure is not applied.	—	●	●	
+						
⑤ Semi-standard	c Bowl ^{Note 6)}	Nil	Polycarbonate bowl	●	●	●
		2	Metal bowl	●	●	●
		6	Nylon bowl	●	●	●
		8	Metal bowl with level gauge	—	●	●
		C	With bowl guard	●	— ^{Note 7)}	— ^{Note 7)}
		6C	With bowl guard (Nylon bowl)	●	— ^{Note 8)}	— ^{Note 8)}
	+					
d Drain port ^{Note 12)}	Nil	With drain cock	●	●	●	
	J ^{Note 9)}	Drain guide 1/8	●	—	—	
		Drain guide 1/4	—	●	●	
	W ^{Note 13)}	Drain cock with barb fitting (for ø6 x ø4 nylon tube)	—	●	●	
+						
e Flow direction	Nil	Flow direction: Left to right	●	●	●	
	R	Flow direction: Right to left	●	●	●	
+						
f Pressure unit	Nil	Name plate and caution plate for bowl in imperial units: MPa	●	●	●	
	Z ^{Note 10)}	Name plate and caution plate for bowl in imperial units: psi, °F	○ ^{Note 11)}	○ ^{Note 11)}	○ ^{Note 11)}	

Note 1) Drain guide is NPT1/8 (applicable to the AFM20-A, AFD20-A) and NPT1/4 (applicable to the AFM30-A/40-A, AFD30-A/40-A).

The auto drain port comes with ø3/8" One-touch fitting (applicable to the AFM30-A/40-A, AFD30-A/40-A).

Note 2) Drain guide is G1/8 (applicable to the AFM20-A, AFD20-A) and G1/4 (applicable to the AFM30-A/40-A, AFD30-A/40-A).

Note 3) A bracket is not assembled and supplied loose at the time of shipment. Including 2 mounting screws

Note 4) When pressure is not applied, condensate which does not start the auto drain mechanism will be left in the bowl. Releasing the residual condensate before ending operations for the day is recommended.

Note 5) If the compressor is small (0.75 kW, discharge flow is less than 3.5 scfm (100 L/min [ANR])), air leakage from the drain cock may occur during start of operations. N.C. type is recommended.

Note 6) Refer to Chemical data on page 48 for chemical resistance of the bowl.

Note 7) A bowl guard is provided as standard equipment (polycarbonate).

Note 8) A bowl guard is provided as standard equipment (nylon).

Note 9) Without a valve function

Note 10) For pipe thread type: NPT. This product is for overseas use only according to the new Measurement Law. (The SI unit type is provided for use in Japan.)

Note 11) ○: For pipe thread type: NPT only

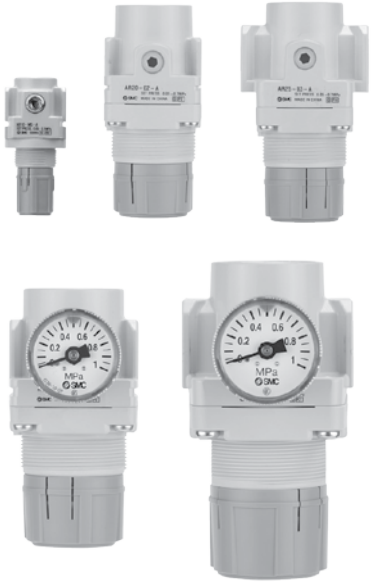
Note 12) The combination of float type auto drain: C and D is not available.

Note 13) The combination of metal bowl: 2 and 8 is not available.



AC
AF+AR+AL
AW+AL
AF+AR
AF+AFM+AR
AW+AFM
Attachment
AF
AFM/AFD
AR
AL
AW

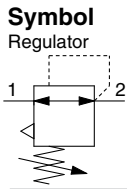
Modular Type Regulator *Series AR*

Regulator Series AR	Model	Port size	Options
 <p data-bbox="183 1276 324 1312">P.55 to 62</p>	AR10-A	M5 x 0.8	<p data-bbox="1198 772 1284 800">Bracket</p> <p data-bbox="1092 919 1390 947">Round type pressure gauge</p> <p data-bbox="1101 1058 1382 1085">Set nut (for panel mount)*</p> <p data-bbox="1068 1262 1419 1310">* The AR20-A to AR40-06-A are not compatible with existing AR series.</p>
	AR20-A	1/8, 1/4	
	AR25-A	1/4, 3/8	
	AR30-A		
	AR40-A	1/4, 3/8, 1/2	
	AR40-06-A	3/4	

- AC
- AF+AR+AL
- AW+AL
- AF+AR
- AF+AFM+AR
- AW+AFM
- Attachment
- AF
- AFM / AFD
- AR
- AL
- AW

Regulator

AR10-A to AR40-A



How to order

AR **30** - **03** **BG** - **A** -

① ② ③ ④ ⑤

- Option/Semi-standard: Select one each for **a** to **g**.
- Option/Semi-standard symbol: When more than one specification is required, indicate in alphanumeric order.
Example) AR30-03BG-1N-A

• **Made to Order**
(Refer to pages 61 and 62 for details.)

	Symbol	Description	①					
			Body size					
			10	20	25	30	40	
② Pipe thread type	Nil	Metric thread (M5)	●	—	—	—	—	
	N	Rc	—	●	●	●	●	
	F	NPT	—	●	●	●	●	
		G	—	●	●	●	●	
③ Port size	M5	M5	●	—	—	—	—	
	01	1/8	—	●	—	—	—	
	02	1/4	—	●	●	●	●	
	03	3/8	—	—	●	●	●	
	04	1/2	—	—	—	—	●	
	06	3/4	—	—	—	—	●	
④ Option	a Mounting	Nil	Without mounting option	●	●	●	●	●
		B ^{Note 2)}	With bracket	●	●	●	●	●
		H	With set nut (for panel mount) ^{Note 3)}	●	●	●	●	●
	b Pressure gauge ^{Note 4)}	Nil	Without pressure gauge	●	●	●	●	●
		G	Round type pressure gauge (without limit indicator)	●	—	—	—	—
			Round type pressure gauge (with limit indicator)	—	●	●	●	●
		M	Round type pressure gauge (with color zone)	—	●	●	●	●
	c Set pressure ^{Note 5)}	Nil	7.3 to 102 psi (0.05 to 0.7 MPa) setting	●	●	●	●	●
		1	2.9 to 29 psi (0.02 to 0.2 MPa) setting	●	●	●	●	●
d Exhaust mechanism	Nil	Relieving type	●	●	●	●	●	
	N	Non-relieving type	●	●	●	●	●	
e Flow direction	Nil	Flow direction: Left to right	●	●	●	●	●	
	R	Flow direction: Right to left	●	●	●	●	●	
f Knob	Nil	Downward	●	●	●	●	●	
	Y	Upward	●	●	●	●	●	
g Pressure unit	Nil	Name plate and pressure gauge in imperial units: MPa	●	●	●	●	●	
	Z ^{Note 6)}	Name plate and pressure gauge in imperial units: psi	○ ^{Note 7)}	○ ^{Note 7)}	○ ^{Note 7)}	○ ^{Note 7)}	○ ^{Note 7)}	

Note 1) Option B, G, H, M are not assembled and supplied loose at the time of shipment.

Note 2) Assembly of a bracket and set nuts

Note 3) Only for the AR20-A to 40-A

Note 4) When the pressure gauge is attached, a 145 psi (1.0 MPa) pressure gauge will be fitted for standard (102 psi [0.7 MPa]) type. 58 psi (0.4 MPa) pressure gauge for 29 psi (0.2 MPa) type (145 psi [1.0 MPa] pressure gauge only for the AR10-A).

Note 5) Pressure can be set higher than the specification pressure in some cases, but use pressure within the specification range.

Note 6) For pipe thread type: NPT

This product is for overseas use only according to the new Measurement Law. (The SI unit type is provided for use in Japan.)

Cannot be used with M: Round pressure gauge (with color zone). Available by request for special.

Note 7) ○: For pipe thread type: M5, NPT only

Standard Specifications

Model	AR10-A	AR20-A	AR25-A	AR30-A	AR40-A	AR40-06-A
Port size	M5 x 0.8	1/8, 1/4	1/4, 3/8	1/4, 3/8	1/4, 3/8, 1/2	3/4
Pressure gauge port size	1/16 ^{Note)}	1/8				
Fluid	Air					
Ambient and fluid temperature	23 to 140°F (– 5 to 60°C) (with no freezing)					
Proof pressure	218 psi (1.5 MPa)					
Maximum operating pressure	145 psi (1.0 MPa)					
Set pressure range	7.3 to 102 psi (0.05 to 0.7 MPa)					
Construction	Relieving type					
Weight (kg)	0.06	0.17	0.19	0.34	0.58	0.60

Note) Use a bushing (part no: 131368) when connecting the R1/8 pressure gauge to the Rc1/16.

Options/Part No.

Optional specifications		Model					
		AR10-A	AR20-A	AR25-A	AR30-A	AR40-A	AR40-06-A
Bracket assembly ^{Note 1)}		AR12P-270AS	AR22P-270AS	AR27P-270AS	AR32P-270AS	AR42P-270AS	AR42P-270AS
Set nut		AR12P-260S	AR22P-260S	AR22P-260S	AR32P-260S	AR42P-260S	AR42P-260S
Pressure gauge	Round ^{Note 2)} type	Standard	G27-10-R1	G36-10-□01		G46-10-□01	
		*0.02 to 0.2 MPa setting	G27-10-R1 ^{Note 3)}	G36-4-□01		G46-4-□01	
	Round type ^{Note 2)} (with color zone)	Standard	—	G36-10-□01-L		G46-10-□01-L	
		*0.02 to 0.2 MPa setting	—	G36-4-□01-L		G46-4-□01-L	

* 2.9 to 29 psi (0.02 to 0.2 MPa) setting

Note 1) Assembly of a bracket and set nuts

Note 2) l in round pressure gauge part numbers indicates a pipe thread type. No indication is necessary for R; however, indicate N for NPT.

Please contact SMC regarding the pipe thread type NPT and the supply of pressure gauge with psi unit display specifications.

Note 3) Standard pressure gauge

⚠ Specific Product Precautions

Be sure to read this before handling. Refer to the back cover for Safety Instructions, “Handling Precautions for SMC Products” and the Operation Manual for F.R.L. Precautions, <http://www.smcworld.com>

Selection

⚠ Warning

1. Although exhaust of the residual pressure to the inlet side is possible when eliminating the inlet pressure, exhaust is not possible when the set pressure is 22 psi (0.15 MPa) or less. Use the regulator with backflow function.

Maintenance

⚠ Warning

1. When using the regulator between a solenoid valve and an actuator, check the pressure gauge periodically. Sudden pressure fluctuations may shorten the durability of the pressure gauge. A digital pressure gauge is recommended for such situation or as deemed necessary.

Mounting/Adjustment

⚠ Warning

1. Set the regulator while verifying the displayed values of the inlet and outlet pressure gauges. Turning the regulator knob excessively can cause damage to the internal parts.
2. Do not use tools on the pressure regulator knob as this may cause damage. It must be operated manually.

⚠ Caution

1. Be sure to unlock the knob before adjusting the pressure and lock it after setting the pressure. Failure to follow this procedure can cause damage to the knob and the outlet pressure may fluctuate.
 - Pull the pressure regulator knob to unlock. (You can visually verify this with the “orange mark” that appears in the gap.)
 - Push the pressure regulator knob to lock. When the knob is not easily locked, turn it left and right a little and then push it (when the knob is locked, the “orange mark”, i.e., the gap will disappear).
2. Pulsation will be generated when the difference between the inlet and the outlet pressure is large. In this case, reduce the pressure difference between the inlet and the outlet. Please consult with SMC if the pulsation problem is not resolved.

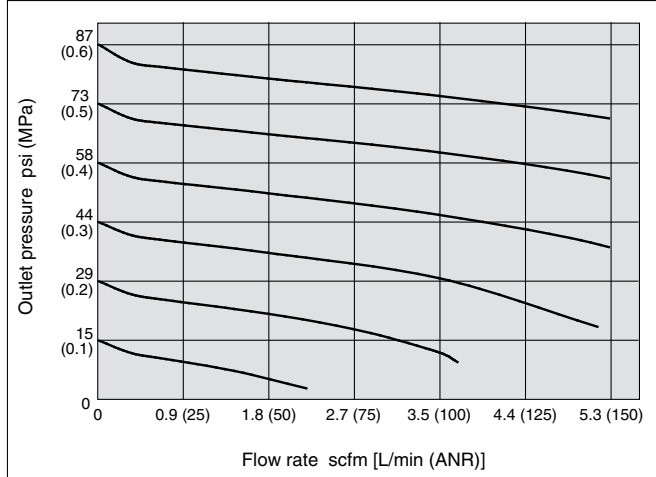
AC
AF+AR+AL
AW+AL
AF+AR
AF+AFM+AR
AW+AFM
Attachment
AF
AFM/AFD
AR
AL
AW

Series AR10-A to AR40-A

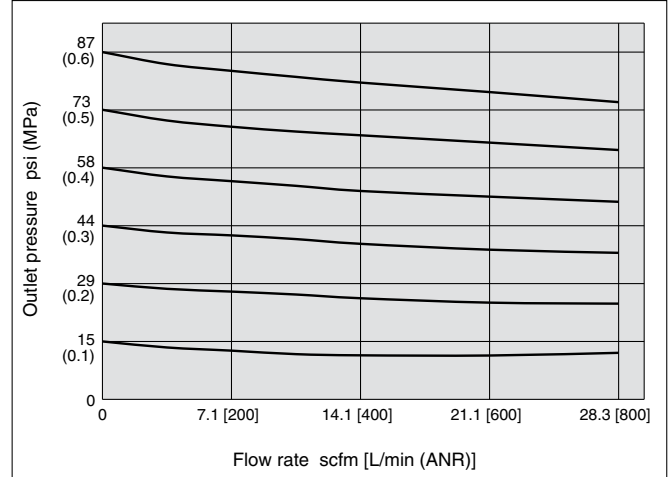
Flow-rate Characteristics (Representative values)

Condition: Inlet pressure 102 psi (0.7 MPa)

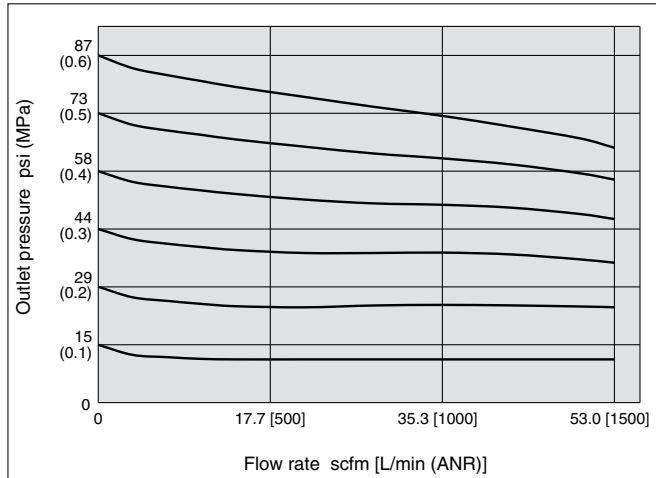
AR10-A M5



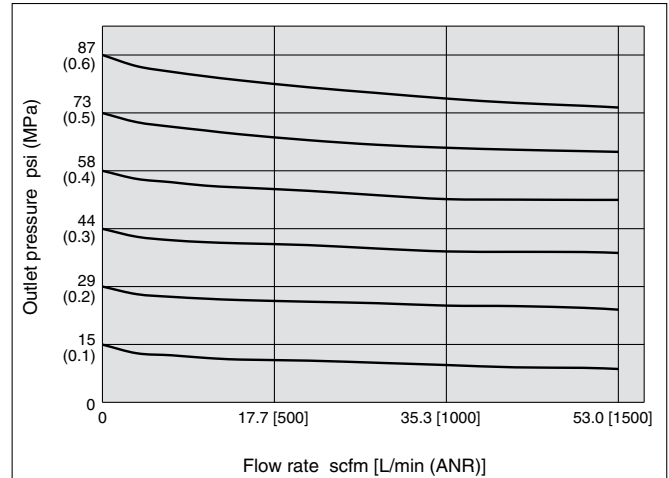
AR20-A Rc1/4



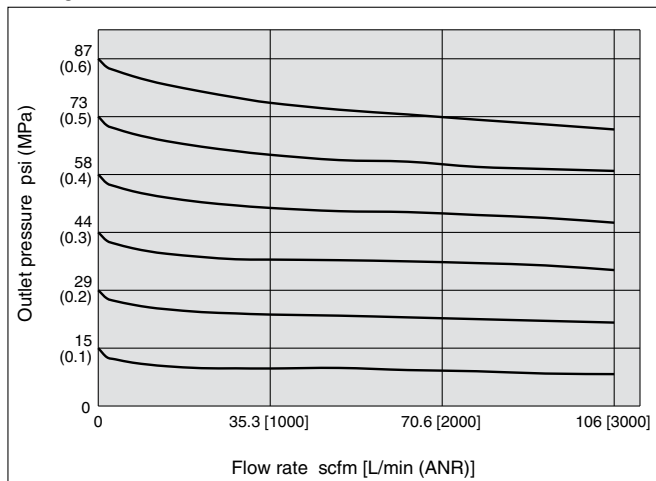
AR25-A Rc3/8



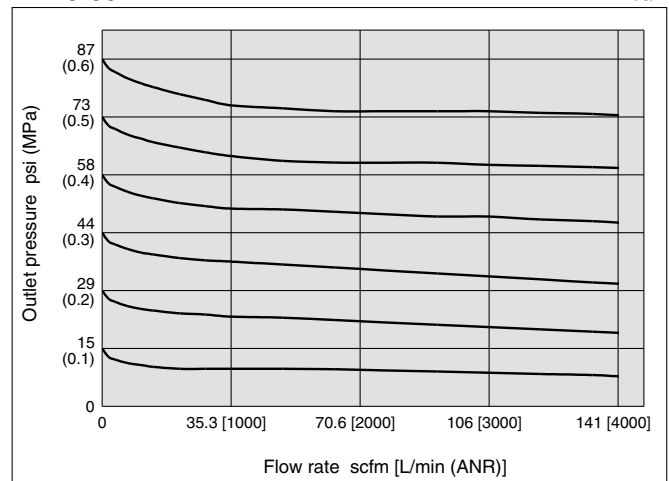
AR30-A Rc3/8



AR40-A Rc1/2

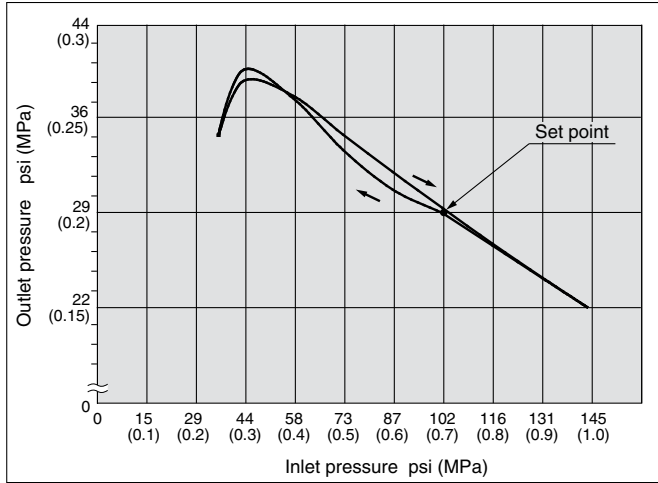


AR40-06-A Rc3/4

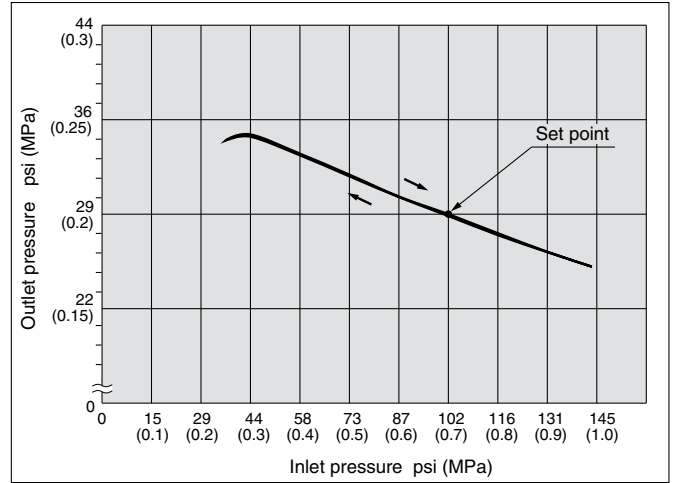


Pressure Characteristics (Representative values) Conditions: Inlet pressure 102 psi (0.7 MPa), Outlet pressure 29 psi (0.2 MPa), Flow rate 0.71 scfm [20 L/min (ANR)]

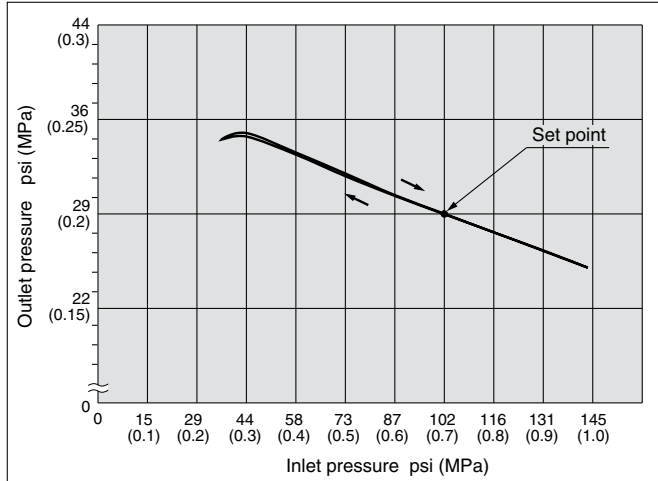
AR10-A



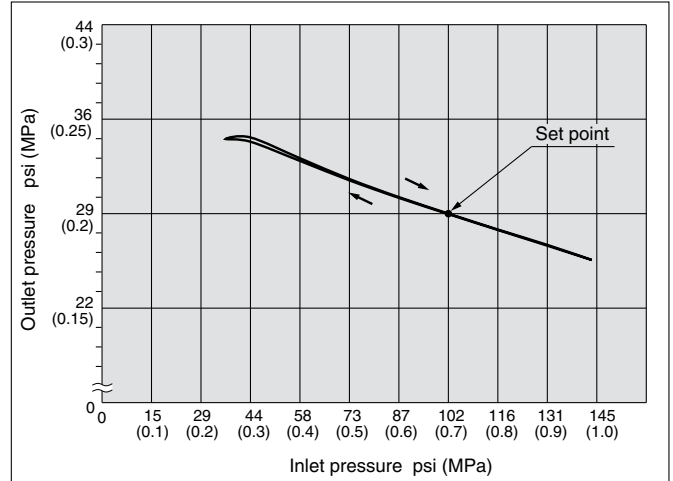
AR20-A



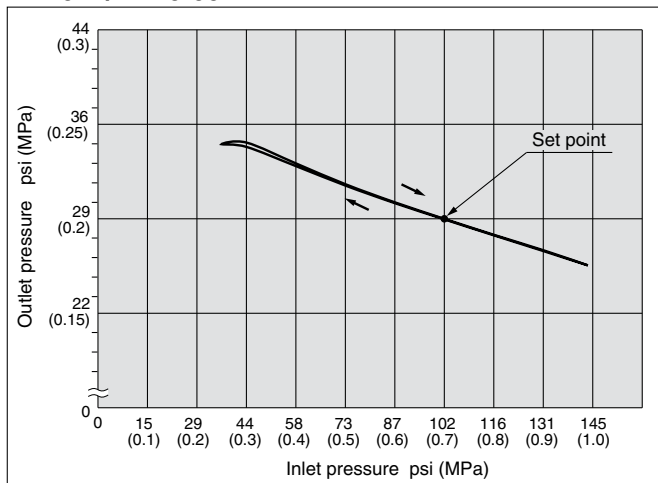
AR25-A



AR30-A



AR40-A/AR40-06-A



AC

AF+AR+AL

AW+AL

AF+AR

AF+AFM+AR

AW+AFM

Attachment

AF

AFM / AFD

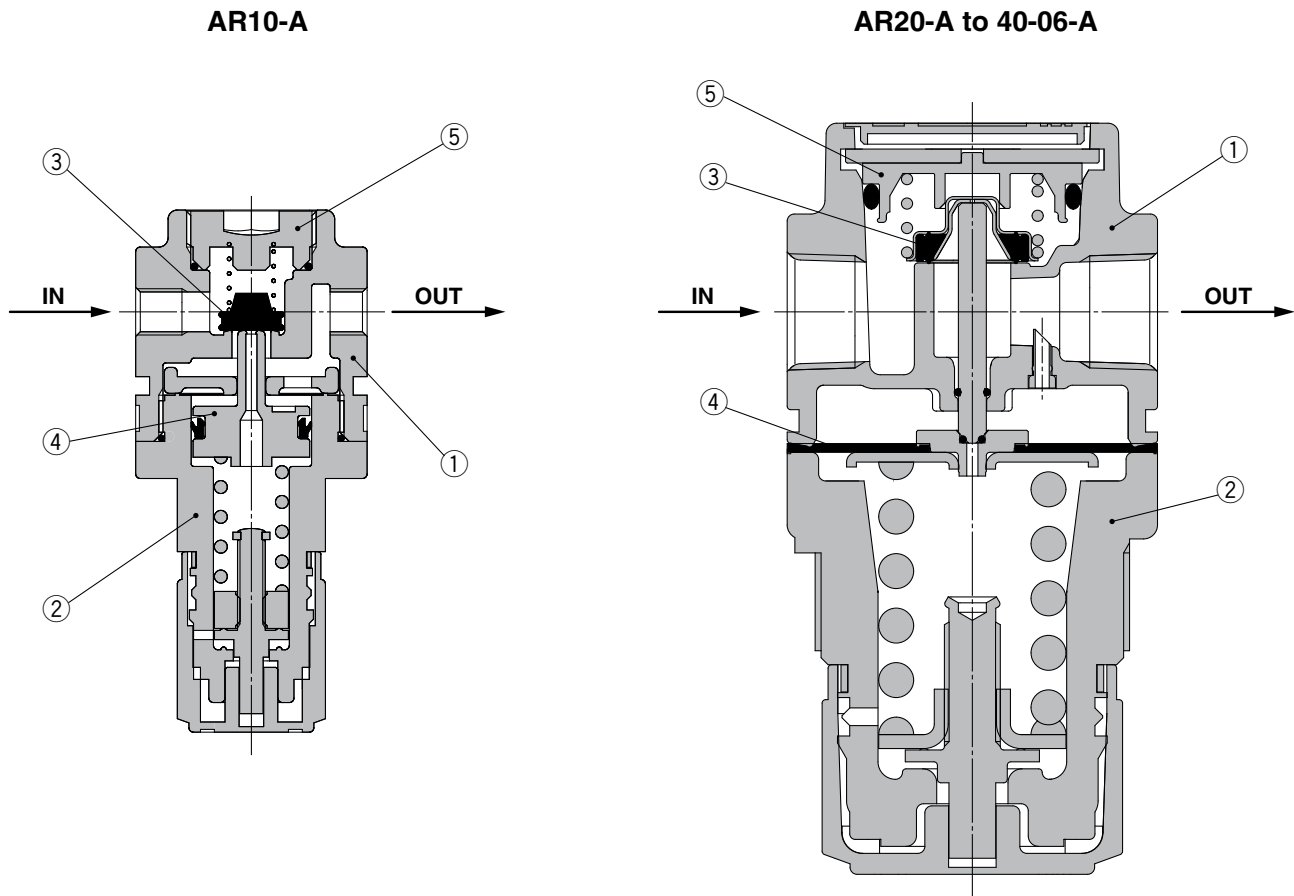
AR

AL

AW

Series AR10-A to AR40-A

Construction



Component Parts

No.	Description	Material	Model	Color
1	Body	Zinc die-cast	AR10-A	White
		Aluminum die-cast	AR20-A to AR40-A	
2	Bonnet	Polyacetal	AR10-A to AR40-A	White

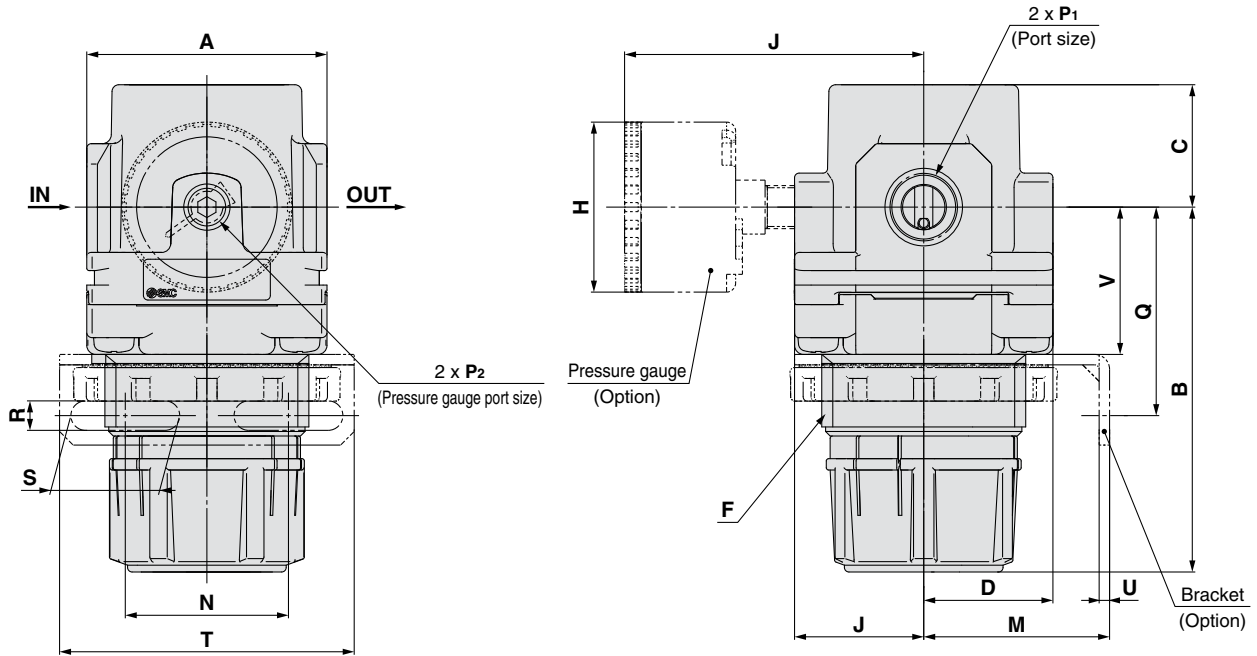
Replacement Parts

No.	Description	Material	Part no.				
			AR10-A	AR20-A	AR25-A	AR30-A	AR40-A
3	Valve assembly	Stainless steel, HNBR	AR10P-090S	AR22P-060AS		AR32P-060AS	AR42P-060AS
4	Diaphragm assembly	Weatherable NBR	AR10P-150AS <small>Note)</small>	AR22P-150AS		AR32P-150AS	AR42P-150AS
5	Valve guide assembly	Polyacetal	131329	AR22P-050AS		AR32P-050AS	AR42P-050AS

Note) The AR10-A is a piston type. Assembly of a piston and a seal (KSYP-13).

Dimensions

AR10-A to AR40-06-A



Note)

Panel fitting dimensions

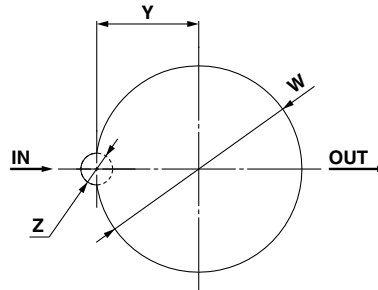


Plate thickness

AR10-A : Max. 3.5
 AR20-A to AR25-A : Max. 4
 AR30-A to AR40-06-A : Max. 8

Model	Standard specifications									Optional specifications													
										Round type pressure gauge		Round type pressure gauge (with color zone)		Bracket mount						Panel mount			
	P ₁	P ₂	A	B	C	D	F	J	H	J	H	J	M	N	Q	R	S	T	U	V	W	Y	Z
AR10-A	M5 x 0.8	1/16	25	47.4	11	12.5	M18 x 1	12.5	ø26	26	—	—	25	28	30	4.5	6.5	40	2	18	18.5	—	—
AR20-A	1/8, 1/4	1/8	40	67.4	23.5	22	M36 x 1.5	22	ø37.5	58.5	ø37.5	59.5	30	34	43.9	5.4	15.4	55	2.3	27.3	36.5	17.5	6
AR25-A	1/4, 3/8	1/8	53	70.4	23.5	22	M36 x 1.5	22	ø37.5	58.5	ø37.5	59.5	30	34	44.3	5.4	15.4	55	2.3	30.3	36.5	17.5	6
AR30-A	1/4, 3/8	1/8	53	83.5	27	28.5	M45 x 1.5	28.5	ø37.5	65	ø37.5	66	41	36	46	6.5	24	65	2.3	32.5	45.5	22.5	7
AR40-A	1/4, 3/8, 1/2	1/8	70	100	33.5	34.5	M52 x 1.5	34.5	ø42.5	72	ø42.5	72	50	38	54	8.5	26.5	70	2.3	38.4	52.5	26	7
AR40-06-A	3/4	1/8	75	101.5	33.5	34.5	M52 x 1.5	34.5	ø42.5	72	ø42.5	72	50	38	55.5	8.5	26.5	70	2.3	39.9	52.5	26	7

Note) The dimension of B is the length when the filter regulator knob is unlocked.

Regulator/AR20-A to AR40-06-A

Made to Order



Please contact SMC for detailed dimensions, specifications and lead times.

① 0.4 MPa Setting

The maximum set pressure is 58 psi (0.4 MPa). When a pressure gauge is included, the display will show a range from 0 to 102 psi (0.7 MPa).

Specifications

Proof pressure	218 psi (1.5 MPa)
Maximum operating pressure	145 psi (1.0 MPa)
Set pressure range	7.3 to 58 psi (0.05 to 0.4 MPa)

Applicable Model

Model	AR20-A	AR25-A	AR30-A	AR40-A	AR40-06-A
Port size	1/8, 1/4	1/4, 3/8	1/4, 3/8	1/4, 3/8, 1/2	3/4

AR **30** - **03** - **A** - **X406**

① ② ③ ④ ⑤

• 58 psi (0.4 MPa) setting

- Option/Semi-standard: Select one each for a to f.
- Option/Semi-standard symbol: When more than one specification is required, indicate in alphanumeric order.
Example) AR30-03BG-NR-A-X406

		Symbol	Description	①				
				Body size				
				20	25	30	40	
②	Pipe thread type	Nil	Rc	●	●	●	●	
		N	NPT	●	●	●	●	
		F	G	●	●	●	●	
		+						
③	Port size	01	1/8	●	—	—	—	
		02	1/4	●	●	●	●	
		03	3/8	—	●	●	●	
		04	1/2	—	—	—	●	
		06	3/4	—	—	—	●	
		+						
④	a	Mounting	Nil	Without mounting option	●	●	●	●
			B ^{Note 2)}	With bracket	●	●	●	●
			H	With set nut (for panel mount) ^{Note 3)}	●	●	●	●
			+					
	b	Pressure gauge	Nil	Without pressure gauge	●	●	●	●
			G	Round type pressure gauge (with limit indicator)	●	●	●	●
M			Round type pressure gauge (with color zone)	●	●	●	●	
		+						
⑤	c	Exhaust mechanism	Nil	Relieving type	●	●	●	●
			N	Non-relieving type	●	●	●	●
			+					
	d	Flow direction	Nil	Flow direction: Left to right	●	●	●	●
			R	Flow direction: Right to left	●	●	●	●
			+					
	e	Knob	Nil	Downward	●	●	●	●
			Y	Upward	●	●	●	●
			+					
	f	Pressure unit	Nil	Name plate and caution plate for bowl in imperial units: MPa	●	●	●	●
Z ^{Note 4)}			Name plate and caution plate for bowl in imperial units: psi	○ ^{Note 5)}	○ ^{Note 5)}	○ ^{Note 5)}	○ ^{Note 5)}	

Note 1) Option B, G, H, M are not assembled and supplied loose at the time of shipment.

Note 2) Assembly of a bracket and set nuts

Note 3) Only for the AR20-A to 40-A

Note 4) For pipe thread type: NPT

This product is for overseas use only according to the new Measurement Law. (The SI unit type is provided for use in Japan.)

Cannot be used with M: Round pressure gauge (with color zone). Available by request for special.

Note 5) ○: For pipe thread type: NPT only

Regulator/AR20-A to AR40-06-A

Made to Order



Please contact SMC for detailed dimensions, specifications and lead times.

② 0.85 MPa Setting

The maximum set pressure is 123 psi (0.85 MPa). When a pressure gauge is included, the display will show a range from 0 to 145 psi (1.0 MPa).

Specifications

Proof pressure	218 psi (1.5 MPa)
Maximum operating pressure	145 psi (1.0 MPa)
Set pressure range	7.3 to 58 psi (0.05 to 0.85 MPa)

Applicable Model

Model	AR20-A	AR25-A	AR30-A	AR40-A	AR40-06-A
Port size	1/8, 1/4	1/4, 3/8	1/4, 3/8	1/4, 3/8, 1/2	3/4

AR **30** - **03** - **03** - **03** - **A** - **X2068**

① ② ③ ④ ⑤

• 123 psi (0.85 MPa) setting

- Option/Semi-standard: Select one each for a to f.
- Option/Semi-standard symbol: When more than one specification is required, indicate in alphanumeric order.
Example) AR30-03BG-NR-A-X2068

	Symbol	Description	① Body size				
			20	25	30	40	
② Pipe thread type	Nil	Rc	●	●	●	●	
	N	NPT	●	●	●	●	
	F	G	●	●	●	●	
+							
③ Port size	01	1/8	●	—	—	—	
	02	1/4	●	●	●	●	
	03	3/8	—	●	●	●	
	04	1/2	—	—	—	●	
	06	3/4	—	—	—	●	
+							
④ Option (Note 1)	a Mounting	Nil	Without mounting option				
		B (Note 2)	With bracket				
		H	With set nut (for panel mount) (Note 3)				
	+						
	b Pressure gauge	Nil	Without pressure gauge				
		G	Round type pressure gauge (with limit indicator)				
M		Round type pressure gauge (with color zone)					
+							
⑤ Semi-standard	c Exhaust mechanism	Nil	Relieving type				
		N	Non-relieving type				
	+						
	d Flow direction	Nil	Flow direction: Left to right				
		R	Flow direction: Right to left				
	+						
e Knob	Nil	Downward					
	Y	Upward					
+							
f Pressure unit	Nil	Name plate and caution plate for bowl in imperial units: MPa					
	Z (Note 4)	Name plate and caution plate for bowl in imperial units: psi					
			○ (Note 5)	○ (Note 5)	○ (Note 5)	○ (Note 5)	

Note 1) Option B, G, H, M are not assembled and supplied loose at the time of shipment.

Note 2) Assembly of a bracket and set nuts

Note 3) Only for the AR20-A to 40-A

Note 4) For pipe thread type: NPT

This product is for overseas use only according to the new Measurement Law. (The SI unit type is provided for use in Japan.)

Cannot be used with M: Round pressure gauge (with color zone). Available by request for special.

Note 5) ○: For pipe thread type: NPT only



AC

AF+AR+AL

AW+AL

AF+AR

AF+AFM+AR

AW+AFM

Attachment

AF

AFM/AFD


AR

AL

AW

Modular Type Lubricator

Series AL

Lubricator Series AL  P.65 to 70	Model	Port size	Option
	AL10-A	M5 x 0.8	Bracket (Except AL10-A)
	AL20-A	1/8, 1/4	
	AL30-A	1/4, 3/8	
	AL40-A	1/4, 3/8, 1/2	
	AL40-06-A	3/4	
	AL50-A	3/4, 1	
	AL60-A	1	

AC

AF+AR+AL

AW+AL

AF+AR

AF+AFM+AR

AW+AFM

Attachment

AF

AFM / AFD

AR

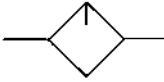
AL

AW

Lubricator

AL10-A to AL60-A

Symbol



How to Order

AL **30** - **03** **B** - **A**

① ② ③ ④ ⑤

- Option/Semi-standard: Select one each for a to d.
 - Option/Semi-standard symbol: When more than one specification is required, indicate in alphanumeric order.
- Example) AL30-03B-3RW-A

	Symbol	Description	①							
			Body size							
			10	20	30	40	50	60		
②	Pipe thread type	Nil	Metric thread (M5)							
		N	Rc							
		F	NPT							
			G							
+										
③	Port size	M5	M5 x 0.8							
		01	1/8							
		02	1/4							
		03	3/8							
		04	1/2							
		06	3/4							
		10	1							
+										
④	Option (Mounting)	Nil	Without mounting option							
		B ^{Note 1)}	With bracket							
+										
⑤	Semi-standard	a	Bowl ^{Note 2)}	Nil	Polycarbonate bowl					
				2	Metal bowl					
				6	Nylon bowl					
				8	Metal bowl with level gauge					
				C	With bowl guard					
				6C	With bowl guard (Nylon bowl)					
+										
b	Lubricant exhaust port	Nil	Without drain cock							
		3	With drain cock							
		3W ^{Note 5)}	Drain cock with barb fitting							
+										
c	Flow direction	Nil	Flow direction: Left to right							
		R	Flow direction: Right to left							
+										
d	Pressure unit	Nil	Name plate and caution plate: MPa							
		Z ^{Note 6)}	Name plate and caution plate: psi, °F							
			○ ^{Note 7)}	○ ^{Note 7)}	○ ^{Note 7)}	○ ^{Note 7)}	○ ^{Note 7)}	○ ^{Note 7)}		

Note 1) Option is not assembled and supplied loose at the time of shipment.

Note 2) Refer to Chemical data on page 68 for chemical resistance of the bowl.

Note 3) A bowl guard is provided as standard equipment (polycarbonate).

Note 4) A bowl guard is provided as standard equipment (nylon).

Note 5) The combination of metal bowl: 2 and 8 is not available.

Note 6) For pipe thread type: M5, NPT. This product is for overseas use only according to the new Measurement Law. (The SI unit type is provided for use in Japan.)

Note 7) ○: For pipe thread type: M5, NPT only

Lubricator Series AL10-A to AL60-A

Standard Specifications

Model	AL10-A	AL20-A	AL30-A	AL40-A	AL40-06-A	AL50-A	AL60-A
Port size	M5 x 0.8	1/8, 1/4	1/4, 3/8	1/4, 3/8, 1/2	3/4	3/4, 1	1
Fluid	Air						
Ambient and fluid temperature	23 to 140°F (-5 to 60°C) (with no freezing)						
Proof pressure	218 psi (1.5 MPa)						
Maximum operating pressure	145 psi (1.0 MPa)						
Minimum dripping flow rate scfm [L/min (ANR)] ^{Note)}	0.14 [4]	0.53 [15]	1/4: 1.06 [30] 3/8: 1.41 [40]	1/4: 1.06 [30] 3/8: 1.41 [40] 1/2: 1.77 [50]	1.77 [50]	6.71 [190]	7.77 [220]
Oil capacity (cm ³)	7	25	55	135			
Recommended lubricant	Class 1 turbine oil (ISO VG32)						
Bowl material	Polycarbonate						
Bowl guard	—	Semi-standard (Steel)	Standard (Polycarbonate)				
Weight (kg)	0.07	0.10	0.20	0.38	0.43	0.94	1.09

Note) · The flow rate is 5 drops or greater/min under the following conditions: Inlet pressure of 73 psi (0.5 MPa); Class 1 turbine oil (ISO VG3); Temperature at 68°F (20°C); Oil adjustment valve fully open.

· For a circuit that repeatedly turns ON and OFF on the outlet side, make the adjustment so that the average air consumption per minute becomes the minimum dripping flow rate or more.

Option/Part No.

Optional specifications	Model						
	AL10-A	AL20-A	AL30-A	AL40-A	AL40-06-A	AL50-A	AL60-A
Bracket assembly ^{Note)}	—	AF22P-050AS	AF32P-050AS	AF42P-050AS	AF42P-070AS	AF52P-050AS	

Note) Assembly of a bracket and 2 mounting screws

Bowl Assembly/Part No.

Bowl material	Lubricant exhaust port	Other	Model						
			AL10-A	AL20-A	AL30-A	AL40-A	AL40-06-A	AL50-A	AL60-A
Polycarbonate bowl	Without drain cock	—	C1SL-A	C2SL-A	—	—			
		With bowl guard	—	C2SL-C-A	C3SL-A	C4SL-A			
	With drain cock	—	C1SL-3-A	C2SL-3-A	—	—			
		With bowl guard	—	C2SL-3C-A	C3SL-3-A	C4SL-3-A			
Drain cock with barb fitting	With bowl guard	—	—	C3SL-3W-A	C4SL-3W-A				
Nylon bowl	Without drain cock	—	C1SL-6-A	C2SL-6-A	—	—			
		With bowl guard	—	C2SL-6C-A	C3SL-6-A	C4SL-6-A			
	With drain cock	—	C1SL-36-A	C2SL-36-A	—	—			
		With bowl guard	—	C2SL-36C-A	C3SL-36-A	C4SL-36-A			
Drain cock with barb fitting	With bowl guard	—	—	C3SL-36W-A	C4SL-36W-A				
Metal bowl	Without drain cock	—	C1SL-2-A	C2SL-2-A	C3SL-2-A	C4SL-2-A			
		With level gauge	—	—	C3LL-8-A	C4LL-8-A			
	With drain cock	—	C1SL-23-A	C2SL-23-A	C3SL-23-A	C4SL-23-A			
		With level gauge	—	—	C3LL-38-A	C4LL-38-A			

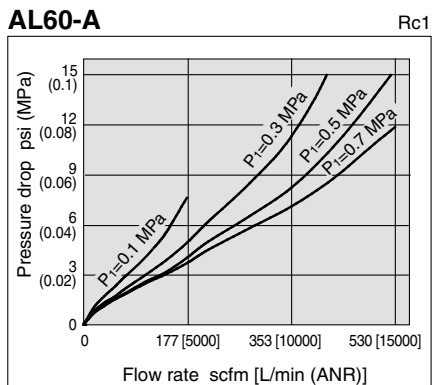
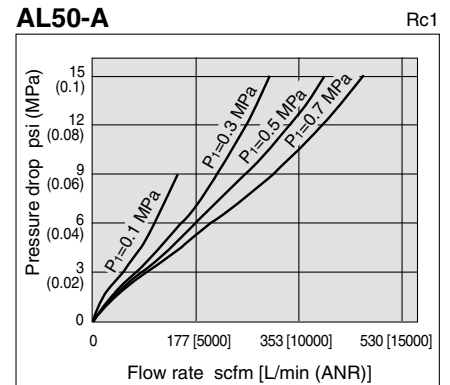
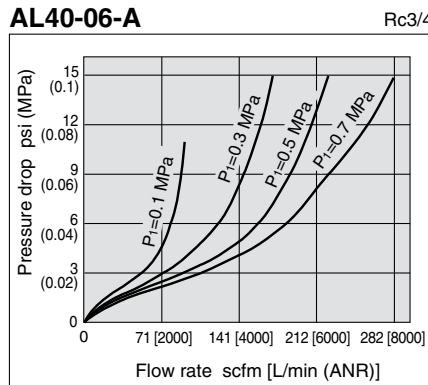
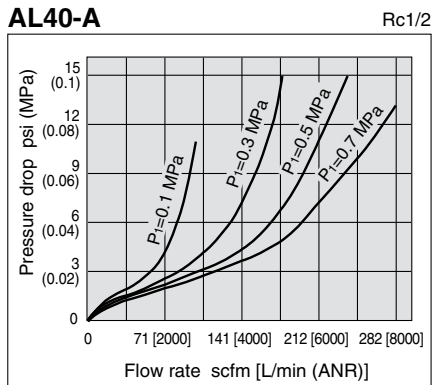
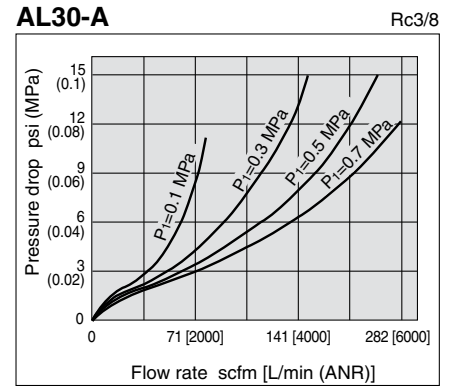
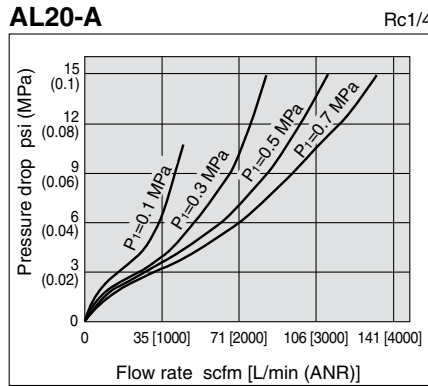
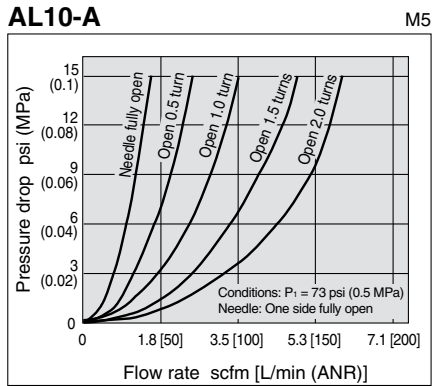
Note) · Bowl assembly for the AL20-A to AL60-A models comes with a bowl seal.

· Please consult with SMC separately for psi and °F unit display specifications.

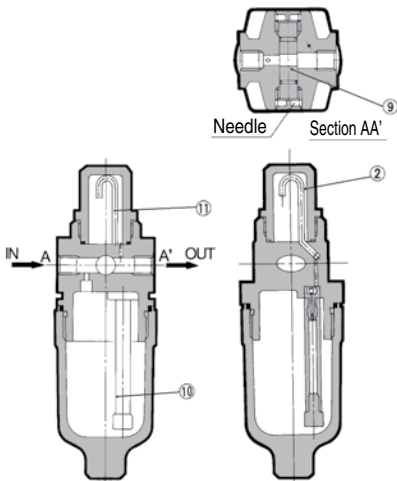
Series AL10-A to AL60-A

P₁ = 44 psi (0.3 MPa)
 P₁ = 73 psi (0.5 MPa)
 P₁ = 102 psi (0.7 MPa)

Flow-rate Characteristics (Representative values)



Working Principle: AL10 Type



A portion of the air introduced from the IN side pressurizes the lubricant inside the bowl. The remainder of the air passes through the needle (9), and flows to the OUT side. The differential pressure between the inside of the bowl and the inside of the sight dome (2), causes the lubricant inside the bowl into the oil passage (10). The lubricant drips from the dripping tube (11), and lubricates the OUT side. The amount of lubricant is adjusted by the needle (9) on the front face. Turning the needle clockwise increases the amount of the lubricant, and turning it counterclockwise until fully open shuts off the lubricant. The needle on the side that is not used should be left fully open.

⚠ Specific Product Precautions

Be sure to read this before handling. Refer to the back cover for Safety Instructions, "Handling Precautions for SMC Products" and the Operation Manual for F.R.L. Precautions, <http://www.smcworld.com>

Selection

⚠ Warning

- Do not introduce air from the outlet side as this can damage the bumper.
- The standard bowl for the air filter, filter regulator, and lubricator, as well as the sight dome for the lubricator are made of polycarbonate. Do not use in an environment where they are exposed to or come in contact with organic solvents, chemicals, cutting oil, synthetic oil, alkali, and thread lock solutions.

Effects of atmosphere of organic solvents and chemicals, and where these elements are likely to adhere to the equipment.

Chemical data for substances causing degradation (Reference)

Type	Chemical name	Application examples	Material	
			Polycarbonate	Nylon
Acid	Hydrochloric acid Sulfuric acid, Phosphoric acid Chromic acid	Acid washing liquid for metals	△	×
Alkaline	Sodium hydroxide (Caustic soda) Potash Calcium hydroxide (Slack lime) Ammonia water Carbonate of soda	Degreasing of metals Industrial salts Water-soluble cutting oil	×	○
Inorganic salts	Sodium sulfide Sulfate of potash Sulfate of soda	—	×	△
Chlorine solvents	Carbon tetrachloride Chloroform Ethylene chloride Methylene chloride	Cleansing liquid for metals Printing ink Dilution	×	△
Aromatic series	Benzene Toluene Paint thinner	Coatings Dry cleaning	×	△
Ketone	Acetone Methyl ethyl ketone Cyclohexane	Photographic film Dry cleaning Textile industries	×	×
Alcohol	Ethyl alcohol IPA Methyl alcohol	Antifreeze Adhesives	△	×
Oil	Gasoline Kerosene	—	×	○
Ester	Phthalic acid dimethyl Phthalic acid diethyl Acetic acid	Synthetic oil Anti-rust additives	×	○
Ether	Methyl ether Ethyl ether	Brake oil additives	×	○
Amino	Methyl amino	Cutting oil Brake oil additives Rubber accelerator	×	×
Others	Thread-lock fluid Seawater Leak tester	—	×	△

○: Essentially safe △: Some effects may occur. ×: Effects will occur.

When the above factors are present, or there is some doubt, use a metal bowl for safety.

Selection

⚠ Caution

- Use a check valve (Series AKM) to prevent back flow of the lubricant when redirecting the air flow before the lubricator.

Maintenance

⚠ Warning

- For the AL10-A/AL20-A type, replenish the lubricant after releasing the inlet pressure. Lubrication cannot take place under a pressurized condition.
- Adjustment of the oil regulating valve for models from the AL20-A to AL60-A should be carried out manually. Turning it counterclockwise increases the dripping amount, and turning it clockwise reduces the dripping amount. The use of tools etc. can result in damage to the unit. From the fully closed position, three rotations will bring it to the fully open position. Do not rotate it any further than this. Note that the numbered scale markings are guidelines for adjusting the position, and not indicators of the dripping amount.

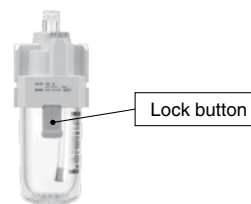
⚠ Caution

- Check the dripping amount once a day. Drip failure can cause damage to the components that need lubrication.

Mounting/Adjustment

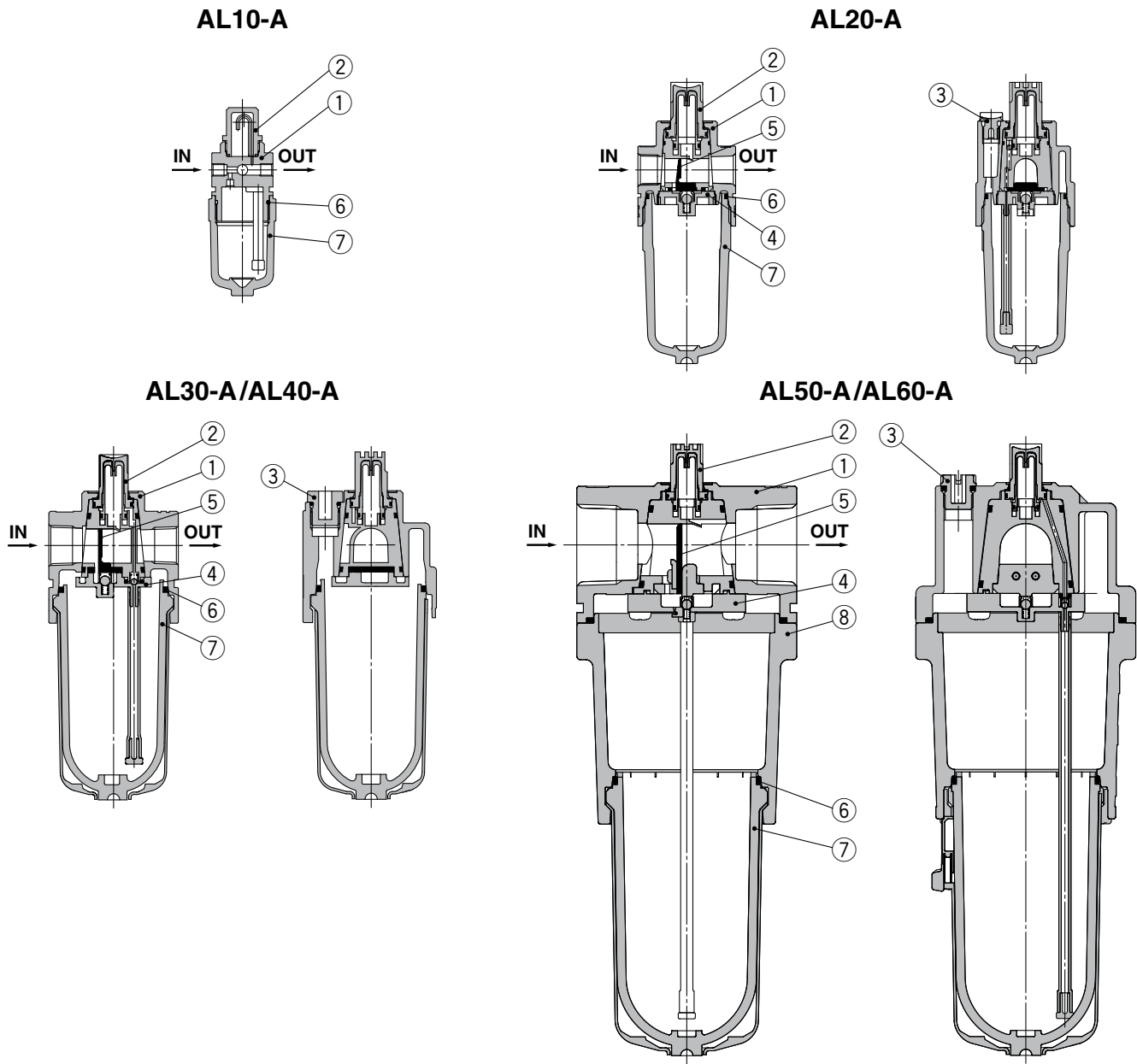
⚠ Caution

- When the bowl is installed on the AL30-A to AL60-A, install them so that the lock button lines up to the groove of the front (or the back) of the body to avoid drop or damage of the bowl.



Series AL10-A to AL60-A

Construction



Component Parts

No.	Description	Material	Model	Color
1	Body	Zinc die-cast	AL10-A	White
		Aluminum die-cast	AL20-A to AL60-A	
8	Housing	Aluminum die-cast	AL50-A/AL60-A	White

Replacement Parts

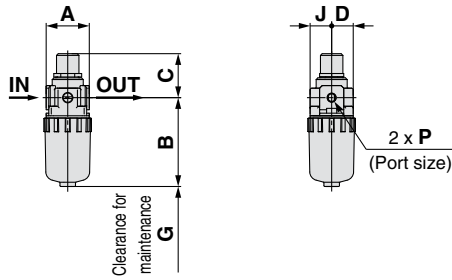
No.	Description	Material	Part no.						
			AL10-A	AL20-A	AL30-A	AL40-A	AL40-06-A	AL50-A	AL60-A
2	Sight dome assembly	Polycarbonate	AL10P-080AS	AL20P-080AS					
3	Lubrication plug assembly	—	—	AL22P-060AS	AL32P-060AS	AL42P-060AS			
4	Bumper retainer assembly	—	—	AL20P-030AS	AL30P-030AS	AL40P-030AS	AL50P-030AS	AL60P-030AS	
5	Bumper (assembly)	Synthetic resin	—	AL20P-040S	AL30P-040S	AL40P-040S	AL50P-040AS	AL60P-040AS	
6	Bowl seal	NBR	C1SFP-260S	C2SFP-260S	C32FP-260S	C42FP-260S			
7	Bowl assembly ^{Note)}	Polycarbonate	C1SL-A	C2SL-A	C3SL-A	C4SL-A			

Note) · Bowl seal is included for the AL20-A to AL60-A. Please consult with SMC separately for psi and °F unit display specifications.

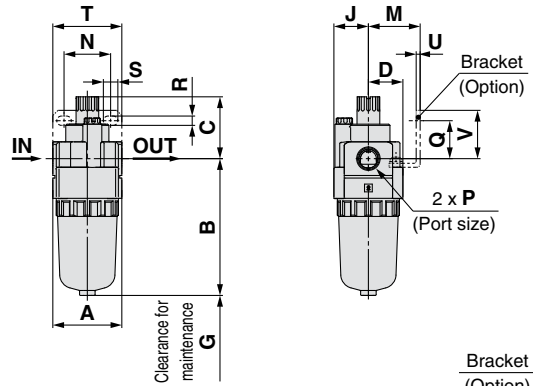
· Bowl assembly for the AL30-A to AL60-A models comes with a bowl guard (Material: Polycarbonate).

Dimensions

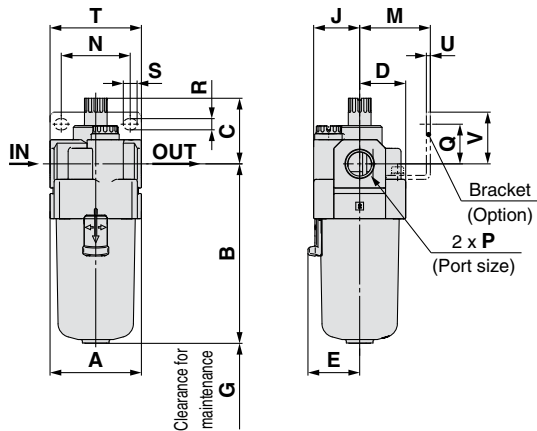
AL10-A



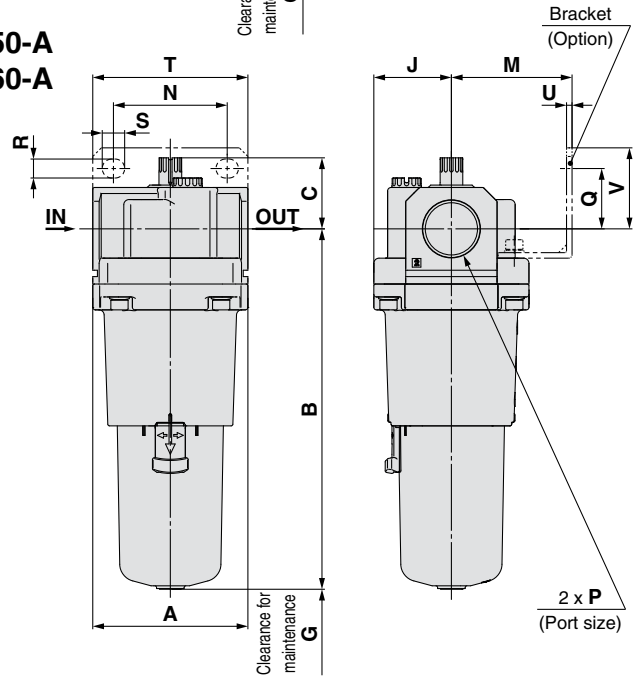
AL20-A



AL30-A to AL40-06-A



AL50-A AL60-A



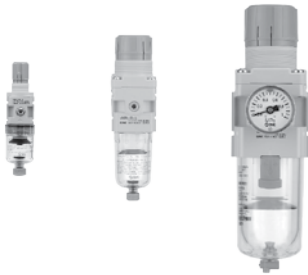
Applicable model	AL10-A/AL20-A			AL30-A to AL60-A
Optional/Semi-standard specifications	With drain cock	Metal bowl	Metal bowl with drain cock	Metal bowl
Dimensions				

Applicable model	AL30-A to AL60-A				
Optional/Semi-standard specifications	With drain cock	Metal bowl with level gauge	Metal bowl with drain cock	Metal bowl with level gauge, with drain cock	Drain cock with barb fitting
Dimensions					 Barb fitting applicable tubing: T0604

Model	Standard specifications															Optional specifications					Semi-standard specifications					
	Bracket mount															With drain cock	With barb fitting	Metal bowl	Metal bowl with drain cock	Metal bowl with level gauge	Metal bowl with level gauge, with drain cock					
	P	A	B	C	D	E	G	J	M	N	Q	R	S	T	U							V	B	B	B	B
AL10-A	M5 x 0.8	25	51.5	25.5	12.5	—	35	12.5	—	—	—	—	—	—	—	—	59.9	—	56.3	59.3	—	—				
AL20-A	1/8, 1/4	40	79.3	35.9	20	—	60	20	30	27	22	5.4	8.4	40	2.3	28	87.7	—	84.5	87.5	—	—				
AL30-A	1/4, 3/8	53	104.1	38.1	26.7	30	80	26.7	41	40	23	6.5	8	53	2.3	30	115.1	123.6	104.1	117.6	124.1	137.6				
AL40-A	1/4, 3/8, 1/2	70	136.1	39.8	35.5	38.4	110	35.5	50	54	26	8.5	10.5	70	2.3	35	147.1	155.6	136.1	149.6	156.1	169.6				
AL40-06-A	3/4	75	138.1	37.8	35.5	38.4	110	35.5	50	54	25	8.5	10.5	70	2.3	34	149.1	157.6	138.1	151.6	158.1	171.6				
AL50-A	3/4, 1	90	209.1	41.2	45	—	110	45	70	66	35	11	13	90	3.2	47	220.1	228.6	209.1	222.6	229.1	246.2				
AL60-A	1	95	223.1	44.7	47.5	—	110	47.5	70	66	35	11	13	90	3.2	47	234.1	242.6	223.1	236.6	243.1	256.6				

Modular Type Filter Regulator *Series AW*

Filter Regulator Series AW



P.73 to 84

Model	Port size	Options
AW10-A	M5 x 0.8	Bracket
AW20-A	1/8, 1/4	Float type auto drain
AW30-A	1/4, 3/8	Round type pressure gauge
AW40-A	1/4, 3/8, 1/2	Set nut (for panel mount)*
AW40-06-A	3/4	* For the AW20-A to AW40-06-A, mounting pitch is different from existing AW series.

AC

AF+AR+AL

AW+AL

AF+AR

AF+AFM+AR

AW+AFM

Attachment

AF

AFM / AFD

AR

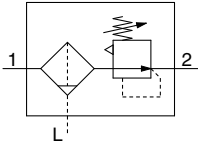
AL

AW

Filter Regulator

AW10-A to AW40-A

Symbol
Filter Regulator



- Integrated filter and regulator units save space and require less piping.

How to Order

AW **30** - **03** **BG** - **A** - **1**

① ② ③ ④ ⑤

- Option/Semi-standard: Select one each for a to i.
- Option/Semi-standard symbol: When more than one specification is required, indicate in alphanumeric order.
Example) AW30-03BG-1N-A

- **Made to Order**
(Refer to pages 81 to 84 for details.)

	Symbol	Description	① Body size				
			10	20	30	40	
② Pipe thread type	Nil	Metric thread (M5)	●	—	—	—	
	N <small>Note 1)</small>	Rc	—	●	●	●	
	F <small>Note 2)</small>	NPT	—	●	●	●	
		G	—	●	●	●	
+							
③ Port size	M5	M5	●	—	—	—	
	01	1/8	—	●	—	—	
	02	1/4	—	●	●	●	
	03	3/8	—	—	●	●	
	04	1/2	—	—	—	●	
	06	3/4	—	—	—	●	
+							
④ Option <small>Note 3)</small>	a Mounting	Nil	Without mounting option	●	●	●	●
		B <small>Note 4)</small>	With bracket	●	●	●	●
		H	With set nut (for panel mount)	●	●	●	●
	+						
	b Float type auto drain	Nil	Without auto drain	●	●	●	●
		C <small>Note 5)</small>	N.C. (Normally closed) Drain port is closed when pressure is not applied.	●	●	●	●
		D <small>Note 6)</small>	N.O. (Normally open) Drain port is open when pressure is not applied.	—	—	●	●
	+						
	c Pressure gauge <small>Note 7)</small>	Nil	Without pressure gauge	●	●	●	●
		G	Round type pressure gauge (without limit indicator)	●	—	—	—
			Round type pressure gauge (with limit indicator)	—	●	●	●
	M	Round type pressure gauge (with color zone)	—	●	●	●	
+							
⑤ Semi-standard	d Set pressure <small>Note 8)</small>	Nil	7.3 to 102 psi (0.05 to 0.7 MPa) setting	●	●	●	●
		1	2.9 to 29 psi (0.02 to 0.2 MPa) setting	●	●	●	●
	+						
e Bowl <small>Note 9)</small>	Nil	Polycarbonate bowl	●	●	●	●	
	2	Metal bowl	●	●	●	●	
	6	Nylon bowl	●	●	●	●	
	8	Metal bowl with level gauge	—	—	●	●	
	C	With bowl guard	—	●	— <small>Note 10)</small>	— <small>Note 10)</small>	
	6C	With bowl guard (Nylon bowl)	—	●	— <small>Note 11)</small>	— <small>Note 11)</small>	

Filter Regulator Series AW 10-A to AW40-A



AW10-A

AW20-A

AW40-A

	Symbol	Description	Body size				
			10	20	30	40	
5 Semi-standard	f Drain port <small>Note 12</small>	Nil	With drain cock	●	●	●	●
		J <small>Note 13</small>	Drain guide 1/8	—	●	—	—
			Drain guide 1/4	—	—	●	●
		W <small>Note 14</small>	Drain cock with barb fitting (for ø6 x ø4 nylon tube)	—	—	●	●
	g Exhaust mechanism	Nil	Relieving type	●	●	●	●
		N	Non-relieving type	●	●	●	●
	h Flow direction	Nil	Flow direction: Left to right	●	●	●	●
		R	Flow direction: Right to left	●	●	●	●
	i Pressure unit	Nil	Name plate, caution plate for bowl, and pressure gauge in imperial units: MPa	●	●	●	●
		Z <small>Note 15</small>	Name plate, caution plate for bowl, and pressure gauge in imperial units: psi, °F	○ <small>Note 16</small>	○ <small>Note 16</small>	○ <small>Note 16</small>	○ <small>Note 16</small>

Note 1) Drain guide is NPT1/8 (applicable to the AW20-A) and NPT1/4 (applicable to the AW30-A to AW40-A). The auto drain port comes with ø3/8" One-touch fitting (applicable to the AW30-A to AW40-A).

Note 2) Drain guide is G1/8 (applicable to the AW20-A) and G1/4 (applicable to the AW30-A to AW40-A).

Note 3) Option B, G, H, M are not assembled and supplied loose at the time of shipment.

Note 4) Assembly of a bracket and set nuts which does not start the auto drain mechanism will be left in the bowl. Releasing the residual condensate before ending operations for the day is recommended.

Note 6) If the compressor is small (0.75 kW, discharge flow is less than 3.5 scfm (100 L/min[ANR])), air leakage from the drain cock may occur during start of operations. N.C. type is recommended.

Note 7) When the pressure gauge is attached, a 145 psi (1.0 MPa) pressure gauge will be fitted for standard (102 psi [0.7 MPa]) type. 58 psi (0.4 MPa) pressure gauge for 29 psi (0.2 MPa) type (145 psi [1.0 MPa] pressure gauge only for the AW10-A).

Note 8) Pressure can be set higher than the specification pressure in some cases, but use pressure within the specification range.

Note 9) Refer to Chemical data on page 76 for chemical resistance of the bowl.

Note 10) A bowl guard is provided as standard

equipment (polycarbonate).

Note 11) A bowl guard is provided as standard equipment (nylon).

Note 12) The combination of float type auto drain: C and D is not available.

Note 13) Without a valve function

Note 14) The combination of metal bowl: 2 and 8 is not available.

Note 15) For pipe thread type: NPT. This product is for overseas use only according to the new Measurement Law. (The SI unit type is provided for use in Japan.) Cannot be used with M: Round pressure gauge (with color zone). Available by request for special.

Note 16) ○: For pipe thread type: M5, NPT only

Standard Specifications

Model	AW10-A	AW20-A	AW30-A	AW40-A	AW40-06-A
Port size	M5 x 0.8	1/8, 1/4	1/4, 3/8	1/4, 3/8, 1/2	3/4
Pressure gauge port size	1/16 <small>Note</small>	1/8			
Fluid	Air				
Ambient and fluid temperature	23 to 140°F (-5 to 60°C) (with no freezing)				
Proof pressure	218 psi (1.5 MPa)				
Maximum operating pressure	145 psi (1.0 MPa)				
Set pressure range	7.3 to 102 (0.05 to 0.7 MPa)				
Nominal filtration rating	5 μm				
Drain capacity (cm ³)	2.5	8	25	45	
Bowl material	Polycarbonate				
Bowl guard	—	Semi-standard (Steel)	Standard (Polycarbonate)		
Construction	Relieving type				
Weight (kg)	0.09	0.21	0.41	0.75	0.81

Note) Use a bushing (part no: 131368) when connecting the R1/8 pressure gauge to the Rc1/16.

AC
AF+AR+AL
AW+AL
AF+AR
AF+AFM+AR
AW+AFM
Attachment
AF
AFM / AFD
AR
AL
AW

Series AW10-A to AW40-A

Options/Part No.

Optional specifications			Model				
			AW10-A	AW20-A	AW30-A	AW40-A	AW40-06-A
Bracket assembly ^{Note 1)}			AR12P-270AS	AR22P-270AS	AR32P-270AS	AR42P-270AS	
Set nut			AR12P-260S	AR22P-260S	AR32P-260S	AR42P-260S	
Pressure gauge ^{Note 2)}	Round type	Standard	G27-10-R1	G36-10-□01		G46-10-□01	
		2.9 to 29 psi (0.02 to 0.2 MPa) setting	G27-10-R1 ^{Note 3)}	□	□		□
	Round type (with color zone)	Standard	—	G36-10-□01-L		G46-10-□01-L	
		2.9 to 29 psi (0.02 to 0.2 MPa) setting	—	G36-4-□01-L		G46-4-□01-L	

Note 1) Assembly of a bracket and set nuts

Note 2) □ in round pressure gauge part numbers indicates a pipe thread type. No indication is necessary for R; however, indicate N for NPT.

Please contact SMC regarding the pipe thread type NPT and the supply of pressure gauge with psi unit display specifications.

Note 3) Standard pressure gauge

Bowl Assembly/Part No.

Bowl material	Drain discharge mechanism	Drain port	Other	Model					
				AW10-A	AW20-A	AW30-A	AW40-A	AW40-06-A	
Polycarbonate bowl	Manual discharge	With drain cock	—	C1SF-A	C2SF-A	—	—		
			With bowl guard	—	C2SF-C-A	C3SF-A	C4SF-A		
		Drain cock with barb fitting	With bowl guard	—	—	C3SF-W-A	C4SF-W-A		
			With drain guide (without valve function)	—	—	C2SF□-J-A	—	—	
	Automatic discharge ^{Note)} (Auto drain)	Normally closed (N.C.)	—	AD17-A	AD27-A	—	—		
With bowl guard			—	AD27-C-A	AD37□-A	AD47□-A			
Nylon bowl	Manual discharge	With drain cock	—	C1SF-6-A	C2SF-6-A	—	—		
			With bowl guard	—	C2SF-6C-A	C3SF-6-A	C4SF-6-A		
		Drain cock with barb fitting	With bowl guard	—	—	C3SF-6W-A	C4SF-6W-A		
			With drain guide (without valve function)	—	—	C2SF□-6J-A	—	—	
	Automatic discharge ^{Note)} (Auto drain)	Normally closed (N.C.)	—	AD17-6-A	AD27-6-A	—	—		
			With bowl guard	—	AD27-6C-A	AD37□-6-A	AD47□-6-A		
	Normally open (N.O.)	With bowl guard	—	—	AD38□-6-A	AD48□-6-A			
		—	—	—	—	—	—		
	Metal bowl	Manual discharge	With drain cock	—	C1SF-2-A	C2SF-2-A	C3SF-2-A	C4SF-2-A	
				With level gauge	—	—	C3LF-8-A	C4LF-8-A	
With drain guide (without valve function)			—	—	C2SF□-2J-A	C3SF□-2J-A	C4SF□-2J-A		
			With level gauge	—	—	C3LF□-8J-A	C4LF□-8J-A		
Automatic discharge ^{Note)} (Auto drain)		Normally closed (N.C.)	—	AD17-2-A	AD27-2-A	AD37□-2-A	AD47□-2-A		
			With level gauge	—	—	AD37□-8-A	AD47□-8-A		
		Normally open (N.O.)	—	—	—	AD38□-2-A	AD48□-2-A		
			With level gauge	—	—	AD38□-8-A	AD48□-8-A		

Note) Minimum operating pressure: N.O. type—15 psi (0.1 MPa) (AD38-A, AD48-A); N.C. type—15 psi (0.1 MPa) (AD17-A, AD27-A) and 22 psi (0.15 MPa) (AD37-A, AD47-A).

Bowl assembly for the AW10-A to AW40-06-A models comes with a bowl seal.

□ in bowl assembly part numbers indicates a pipe thread type (applicable tubing for auto drain).

No indication is necessary for Rc thread; however, indicate N for NPT thread, and F for G thread. (For auto drain, Nil: ø10, N: ø3/8")

Please consult with SMC separately for psi and °F unit display specifications.

⚠ Specific Product Precautions

Be sure to read this before handling. Refer to the back cover for Safety Instructions, "Handling Precautions for SMC Products" and the Operation Manual for F.R.L. Precautions, <http://www.smcworld.com>

Design/Selection

⚠ Warning

- Although exhaust of the residual pressure to the inlet side is possible when eliminating the inlet pressure, exhaust is not possible when the set pressure is 22 psi (0.15 MPa) or less. Use the regulator with backflow function.
- The standard bowl for the air filter, filter regulator, and lubricator, as well as the sight dome for the lubricator are made of polycarbonate. Do not use in an environment where they are exposed to or come in contact with organic solvents, chemicals, cutting oil, synthetic oil, alkali, and thread lock solutions.

Effects of atmosphere of organic solvents and chemicals, and where these elements are likely to adhere to the equipment.
Chemical data for substances causing degradation (Reference)

Type	Chemical name	Application examples	Material	
			Polycarbonate	Nylon
Acid	Hydrochloric acid Sulfuric acid, Phosphoric acid Chromic acid	Acid washing liquid for metals	△	×
Alkaline	Sodium hydroxide (Caustic soda) Potash Calcium hydroxide (Slack lime) Ammonia water Carbonate of soda	Degreasing of metals Industrial salts Water-soluble cutting oil	×	○
Inorganic salts	Sodium sulfide Sulfate of potash Sulfate of soda	—	×	△
Chlorine solvents	Carbon tetrachloride Chloroform Ethylene chloride Methylene chloride	Cleansing liquid for metals Printing ink Dilution	×	△
Aromatic series	Benzene Toluene Paint thinner	Coatings Dry cleaning	×	△
Ketone	Acetone Methyl ethyl ketone Cyclohexane	Photographic film Dry cleaning Textile industries	×	×
Alcohol	Ethyl alcohol IPA Methyl alcohol	Antifreeze Adhesives	△	×
Oil	Gasoline Kerosene	—	×	○
Ester	Phthalic acid dimethyl Phthalic acid diethyl Acetic acid	Synthetic oil Anti-rust additives	×	○
Ether	Methyl ether Ethyl ether	Brake oil additives	×	○
Amino	Methyl amino	Cutting oil Brake oil additives Rubber accelerator	×	×
Others	Thread-lock fluid Seawater Leak tester	—	×	△

○: Essentially safe △: Some effects may occur. ×: Effects will occur.

When the above factors are present, or there is some doubt, use a metal bowl for safety.

Maintenance

⚠ Warning

- Replace the element every 2 years or when the pressure drop becomes 15 psi (0.1 MPa), whichever comes first, to prevent damage to the element.

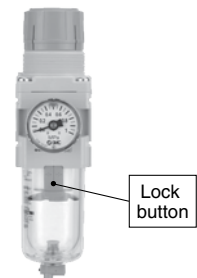
Mounting/Adjustment

⚠ Warning

- Set the regulator while verifying the displayed values of the inlet and outlet pressure gauges. Turning the regulator knob excessively can cause damage to the internal parts.
- Do not use tools on the pressure regulator knob as this may cause damage. It must be operated manually.

⚠ Caution

- Be sure to unlock the knob before adjusting the pressure and lock it after setting the pressure. Failure to follow this procedure can cause damage to the knob and the outlet pressure may fluctuate.
 - Pull the pressure regulator knob to unlock. (You can visually verify this with the "orange mark" that appears in the gap.)
 - Push the pressure regulator knob to lock. When the knob is not easily locked, turn it left and right a little and then push it (when the knob is locked, the "orange mark", i.e., the gap will disappear).
- Pulsation will be generated when the difference between the inlet and the outlet pressure is large. In this case, reduce the pressure difference between the inlet and the outlet. Please consult with SMC if the pulsation problem is not resolved.
- When the bowl is installed on the AW30-A/AW40-A, install them so that the lock button lines up to the groove of the front (or the back) of the body to avoid drop or damage of the bowl.



AC

AF+AR+AL

AW+AL

AF+AR

AF+AFM+AR

AW+AFM

Attachment

AF

AFM / AFD

AR

AL

AW

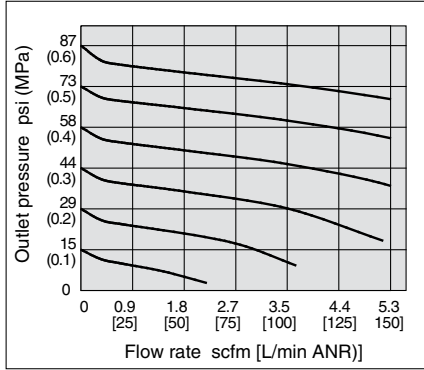
Series AW10-A to AW40-A

Flow-rate Characteristics (Representative values)

Condition: Inlet pressure 102 psi (0.7 MPa)

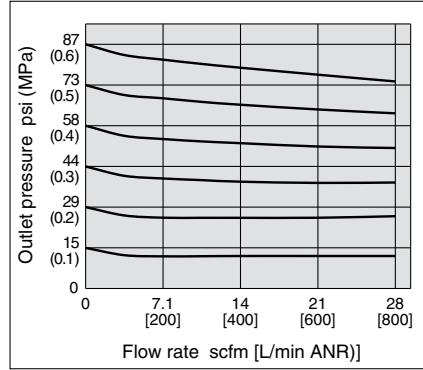
AW10-A

M5



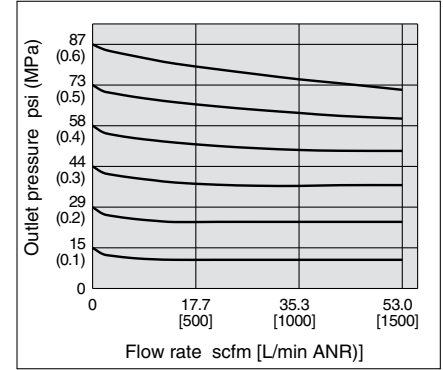
AW20-A

Rc1/4



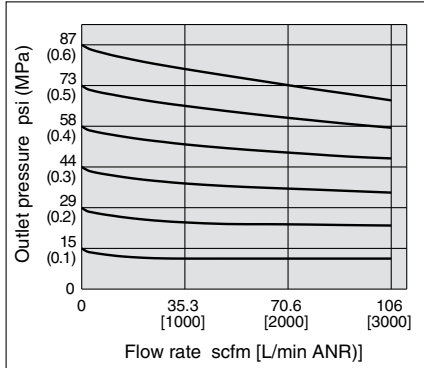
AW30-A

Rc3/8



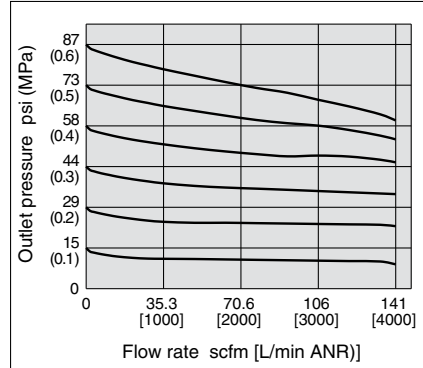
AW40-A

Rc1/2



AW40-06-A

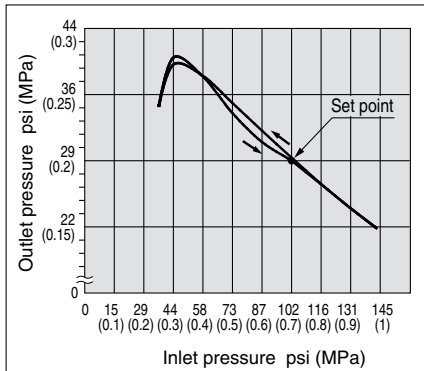
Rc3/4



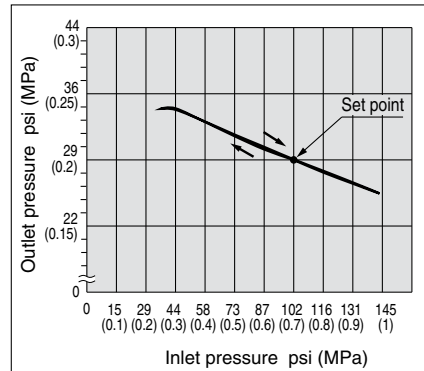
Pressure Characteristics (Representative values)

Conditions: Inlet pressure 102 psi (0.7 MPa), Outlet pressure 29 psi (0.2 MPa), Flow rate 0.71 scfm [20 L/min (ANR)]

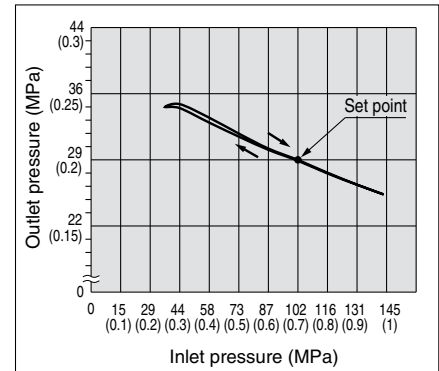
AW10-A



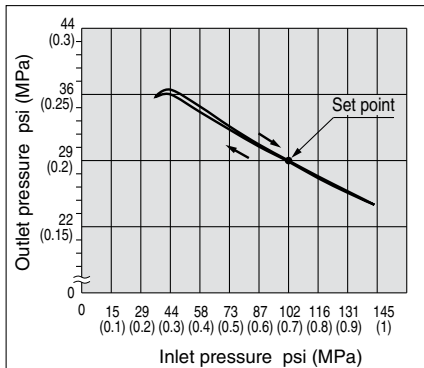
AW20-A



AW30-A

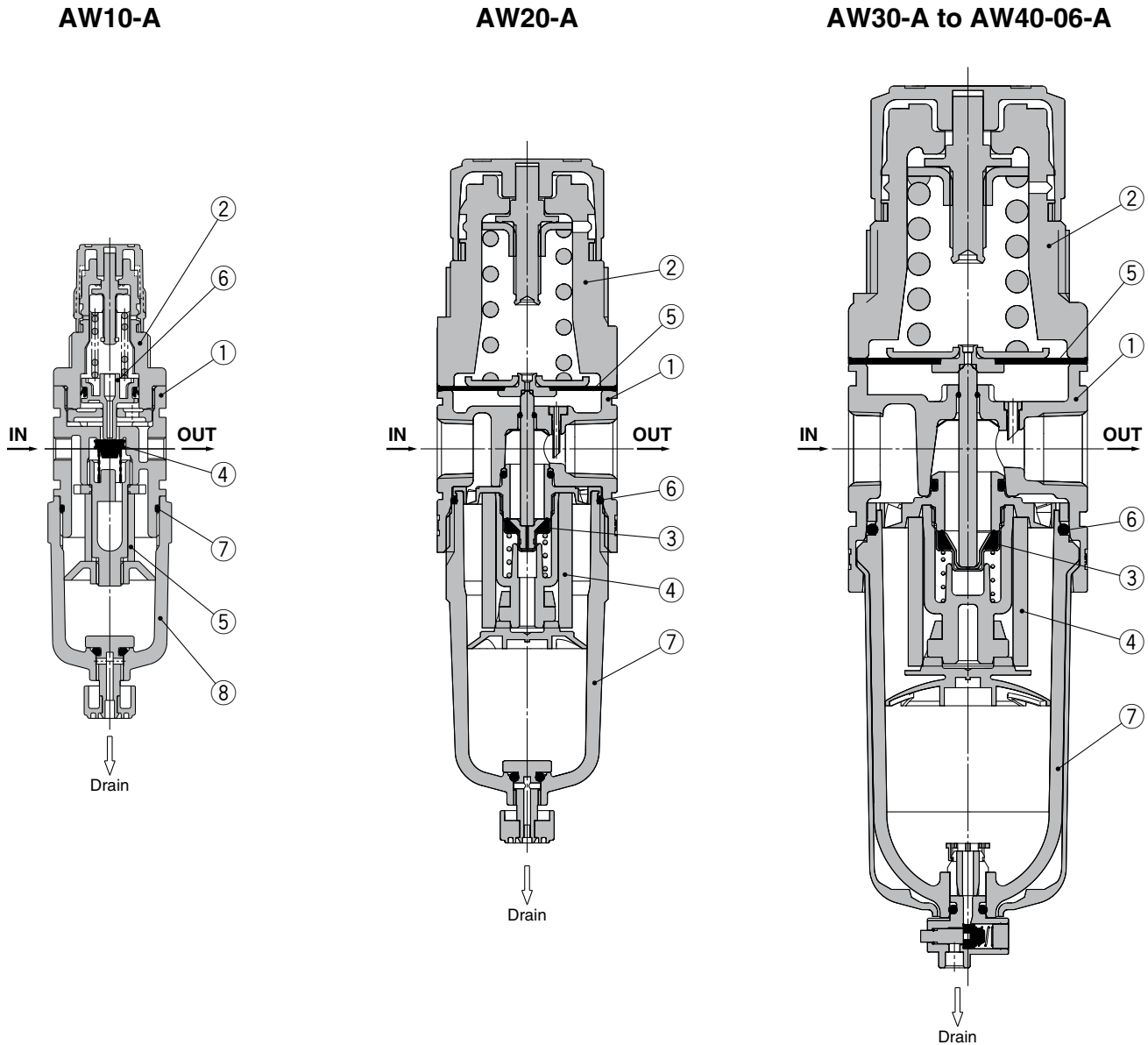


AW40-A/AW40-06-A



Filter Regulator Series AW 10-A to AW40-A

Construction



Component Parts

No.	Description	Material	Model	Color
1	Body	Zinc die-cast	AW10-A	White
		Aluminum die-cast	AW20-A to AW40-06-A	
2	Bonnet	Polyacetal	AW10-A to AW40-06-A	White

Replacement Parts

No.	Description	Material	Part no.				
			AW10-A	AW20-A	AW30-A	AW40-A	AW40-06-A
3	Valve assembly	Stainless steel, HNBR	AR10P-090S	AW22P-060AS	AW32P-060AS	AW42P-060AS	
4	Filter element	Non-woven fabric	AF10P-060S	AF20P-060S	AF30P-060S	AF40P-060S	
5	Diaphragm assembly	Weatherable NBR	AR10P-150AS ^{Note 1)}	AR22P-150AS	AR32P-150AS	AR42P-150AS	
6	Bowl seal	NBR	C1SFP-260S	C2SFP-260S	C3SFP-260S	C4SFP-260S	
7	Bowl assembly ^{Note 2)}	Polycarbonate	C1SF-A	C2SF-A	C3SF-A	C4SF-A	

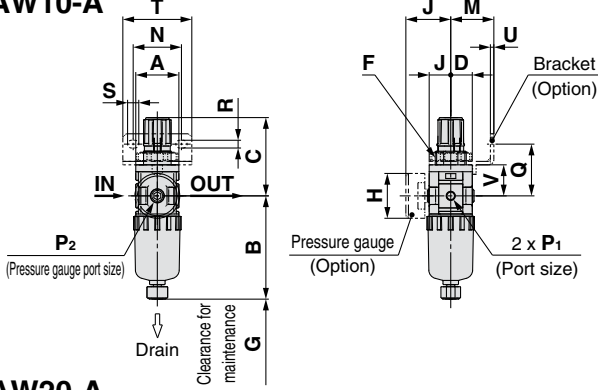
Note 1) The AW10-A is a piston type. Assembly of a piston and a seal (KSYP-13).

Note 2) Bowl seal is included for the AW20-A to AW40-06-A. Please contact SMC regarding the supply of bowl assembly with psi and °F unit display specifications.

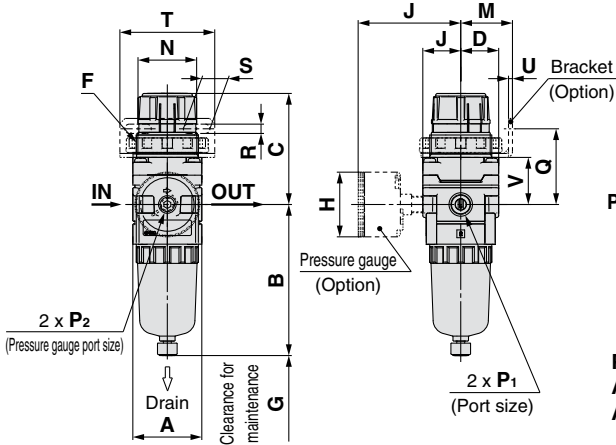
Series AW10-A to AW40-A

Dimensions

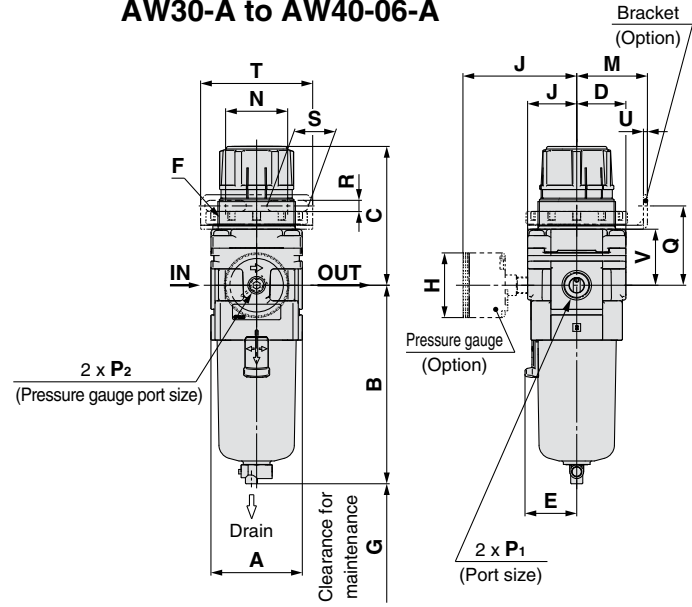
AW10-A



AW20-A



AW30-A to AW40-06-A



Panel fitting dimensions

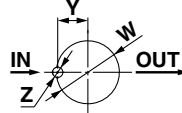


Plate thickness
AW10-A: Max. 3.5
AW20-A: Max. 4

Panel fitting dimensions

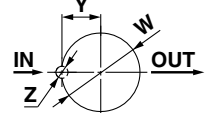


Plate thickness
AW30-A to AW40-06-A: Max. 8

Applicable model	AW10-A/AW20-A		AW20-A		AW30-A to AW40-06-A	
Optional/Semi-standard specifications	With auto drain (N.C.)	Metal bowl	With drain guide	Metal bowl with drain guide	With auto drain (N.O./N.C.)	
Dimensions	 M5 x 0.8		 Width across flats 14 1/8	 Width across flats 14 1/8	 N.O.: Black N.C.: Gray Thread type/Rc, G: ø10 One-touch fitting Thread type/NPT: ø3/8" One-touch fitting	

Applicable model	AW30-A to AW40-06-A					
Optional/Semi-standard specifications	Metal bowl	Metal bowl with drain guide	Metal bowl with level gauge	Metal bowl with level gauge, with drain guide	With drain guide	Drain cock with barb fitting
Dimensions		 Width across flats 17 1/4		 Width across flats 17 1/4	 Width across flats 17 1/4	 Barb fitting applicable tubing: T0604

Model	Standard specifications										Optional specifications			
	P ₁	P ₂	A	B	C (Note)	D	E	F	G	J	H	J	H	J
AW10-A	M5 x 0.8	1/16	25	59.9	47.4	12.5	—	M18 x 1	25	12.5	ø26	26	—	—
AW20-A	1/8, 1/4	1/8	40	87.6	67.4	22	—	M36 x 1.5	25	22	ø37.5	58.5	ø37.5	59.5
AW30-A	1/4, 3/8	1/8	53	115.1	83.5	28.5	30	M45 x 1.5	35	28.5	ø37.5	65	ø37.5	66
AW40-A	1/4, 3/8, 1/2	1/8	70	147.1	100	34.5	38.4	M52 x 1.5	40	34.5	ø42.5	72	ø42.5	72
AW40-06-A	3/4	1/8	75	149.1	101.5	34.5	38.4	M52 x 1.5	40	34.5	ø42.5	72	ø42.5	72

Model	Optional specifications										Semi-standard specifications							
	Bracket mount					Panel mount					With auto drain	With barb fitting	With drain guide	Metal bowl	Metal bowl with drain guide	Metal bowl with level gauge	Metal bowl with level gauge, with drain guide	
	M	N	Q	R	S	T	U	V	W	Y	Z	B	B	B	B	B	B	
AW10-A	25	28	30	4.5	6.5	40	2	18	18.5	—	—	77.9	—	—	59.3	—	—	
AW20-A	30	34	43.9	5.4	15.4	55	2.3	27.3	36.5	17.5	6	104.9	—	91.4	87.4	93.9	—	
AW30-A	41	36	46	6.5	24	65	2.3	32.5	45.5	22.5	7	156.8	123.6	121.9	117.6	122.1	137.6	142.1
AW40-A	50	38	54	8.5	26.5	70	2.3	38.4	52.5	26	7	186.9	155.6	153.9	149.6	154.1	169.6	174.1
AW40-06-A	50	38	55.5	8.5	26.5	70	2.3	39.9	52.5	26	7	188.9	157.6	155.9	151.6	156.1	171.6	176.1

Note) The dimension of C is the length when the filter regulator knob is unlocked.

Filter Regulator/AW20-A to AW40-06-A

Made to Order



Please contact SMC for detailed dimensions, specifications and lead times.

① 0.4 MPa Setting

The maximum set pressure is 58 psi (0.4 MPa). When a pressure gauge is included, the display will show a range from 0 to 102 psi (0.7 MPa).

Specifications

Proof pressure	218 psi (1.5 MPa)
Maximum operating pressure	145 psi (1.0 MPa)
Set pressure range	7.3 to 58 psi (0.05 to 0.4 MPa)

Applicable Model

Model	AW20-A	AW30-A	AW40-A	AW40-06-A
Port size	1/8, 1/4	1/4, 3/8	1/4, 3/8, 1/2	3/4

② Long Bowl

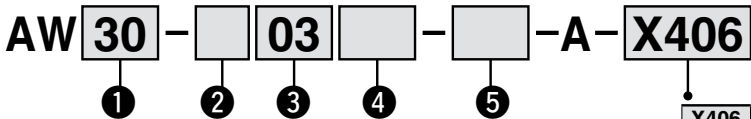
Drain capacity is greater than that of standard models.

Applicable Model/Drain Capacity

Model	AW20-A	AW30-A	AW40-A	AW40-06-A
Port size	1/8, 1/4	1/4, 3/8	1/4, 3/8, 1/2	3/4
Drain capacity (cm ³)	19	43	88	

Note) Please consult with SMC for dimensions.

How to Order



X406	58 psi (0.4 MPa) setting
X64	Long bowl

- Option/Semi-standard: Select one each for a to i.
- Option/Semi-standard symbol: When more than one specification is required, indicate in alphanumeric order. Example) AW30-03BG-2N-A-X406

		58 psi (0.4 MPa) Setting			Long Bowl			
		① Body size			① Body size			
		20	30	40	20	30	40	
②	Pipe thread type	Nil	Rc	●	●	●	●	
		N ^{Note 1)}	NPT	●	●	●	●	
		F ^{Note 2)}	G	●	●	●	●	
		+						
③	Port size	01	1/8	●	—	—	●	
		02	1/4	●	●	●	●	
		03	3/8	—	●	●	●	
		04	1/2	—	—	●	●	
		06	3/4	—	—	●	●	
		+						
④	a	Mounting	Nil	Without mounting option	●	●	●	●
			B ^{Note 4)}	With bracket	●	●	●	●
			H	With set nut (for panel mount)	●	●	●	●
			+					
	b	Float type auto drain	Nil	Without auto drain	●	●	●	—
			C ^{Note 5)}	Float type auto drain (N.C.)	●	●	●	—
			D ^{Note 6)}	Float type auto drain (N.O.)	—	●	●	—
			+					
	c	Pressure gauge	Nil	Without pressure gauge	●	●	●	●
G			Round type pressure gauge (with limit indicator)	●	●	●	● ^{Note 7)}	
M			Round type pressure gauge (with color zone)	●	●	●	● ^{Note 7)}	

- Note 1) Drain guide is NPT1/8 (applicable to the AW20-A) and NPT1/4 (applicable to the AW30-A to AW40-A). The auto drain port comes with ø3/8" One-touch fitting (applicable to the AW30-A to AW40-A).
- Note 2) Drain guide is G1/8 (applicable to the AW20-A) and G1/4 (applicable to the AW30-A to AW40-A).
- Note 3) Option B, G, H, M are not assembled and supplied loose at the time of shipment.
- Note 4) Assembly of a bracket and set nuts
- Note 5) When pressure is not applied, condensate which does not start the auto drain mechanism will be left in the bowl.

- Releasing the residual condensate before ending operations for the day is recommended.
- Note 6) If the compressor is small (0.75 kW, discharge flow is less than 3.5 scfm (100 L/min [ANR]), air leakage from the drain cock may occur during start of operations. N.C. type is recommended.
- Note 7) When the pressure gauge is attached, a 145 psi (1.0 MPa) pressure gauge will be fitted for standard (102 psi [0.7 MPa]) type. 58 psi (0.4 MPa) pressure gauge for 29 psi (0.2 MPa) type.

		Symbol	Description	58 psi (0.4 MPa) Setting			Long Bowl				
				①			①				
				Body size			Body size				
				20	30	40	20	30	40		
5	d	Set pressure ^{Note 8)}	Nil	7.3 to 102 psi (0.05 to 0.7 MPa) setting	—	—	—	●	●	●	
			1	2.9 to 29 psi (0.02 to 0.2 MPa) setting	—	—	—	●	●	●	
	+										
	e	Bowl ^{Note 9)}	Nil	Polycarbonate bowl	●	●	●	●	●	●	
			2	Metal bowl	●	●	●	●	●	●	
			6	Nylon bowl	●	●	●	●	●	●	
			8	Metal bowl with level gauge	—	●	●	—	—	—	
			C	With bowl guard	●	—	—	●	— ^{Note 11)}	— ^{Note 11)}	
	6C	With bowl guard (Nylon bowl)	●	—	—	●	— ^{Note 12)}	— ^{Note 12)}			
	+										
	f	Drain port ^{Note 10)}	J ^{Note 13)}	Nil	With drain cock	●	●	●	●	●	●
				—	Drain guide 1/8	●	—	—	●	—	—
				—	Drain guide 1/4	—	●	●	—	●	●
				W ^{Note 14)}	Drain cock with barb fitting (for ø6 x ø4 nylon tube)	—	●	●	—	●	●
	+										
g	Exhaust mechanism	Nil	Relieving type	●	●	●	●	●	●		
		N	Non-relieving type	●	●	●	●	●	●		
+											
h	Flow direction	Nil	Flow direction: Left to right	●	●	●	●	●	●		
		R	Flow direction: Right to left	●	●	●	●	●	●		
+											
i	Pressure unit	Nil	Name plate and caution plate for bowl in imperial units: MPa	●	●	●	●	●	●		
		Z ^{Note 15)}	Name plate and caution plate for bowl in imperial units: psi, °F	○ ^{Note 16)}	○ ^{Note 16)}	○ ^{Note 16)}	○ ^{Note 16)}	○ ^{Note 16)}	○ ^{Note 16)}		

Note 8) Pressure can be set higher than the specification pressure in some cases, but use pressure within the specification range.

Note 9) Refer to Chemical data on page 76 for chemical resistance of the bowl.

Note 10) The combination of float type auto drain: C and D is not available.

Note 11) A bowl guard is provided as standard equipment (polycarbonate).

Note 12) A bowl guard is provided as standard equipment (nylon).

Note 13) Without a valve function

Note 14) The combination of metal bowl: 2 and 8 is not available.

Note 15) For pipe thread type: NPT. This product is for overseas use only according to the new Measurement Law. (The SI unit type is provided for use in Japan.)

Cannot be used with M: Round pressure gauge (with color zone). Available by request for special.

Note 16) ○: For pipe thread type: NPT only

AC

AF+AR+AL

AW+AL

AF+AR

AF+AFM+AR

AW+AFM

Attachment

AF

AFM / AFD

AR

AL

AW

Filter Regulator/AW20-A to AW40-06-A

Made to Order



Please contact SMC for detailed dimensions, specifications and lead times.

③ 0.85 MPa Setting

The maximum set pressure is 123 psi (0.85 MPa). When a pressure gauge is included, the display will show a range from 0 to 145 psi (1.0 MPa).

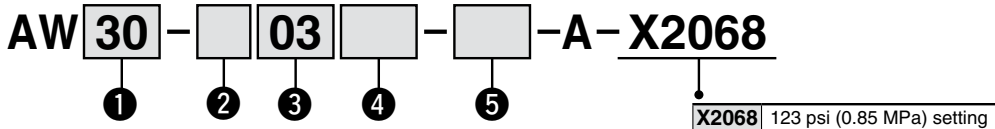
Specifications

Proof pressure	218 psi (1.5 MPa)
Maximum operating pressure	145 psi (1.0 MPa)
Set pressure range	7.3 to 123 p[si] (0.05 to 0.85 MPa)

Applicable Model

Model	AW20-A	AW30-A	AW40-A	AW40-06-A
Port size	1/8, 1/4	1/4, 3/8	1/4, 3/8, 1/2	3/4

How to Order



- Option/Semi-standard: Select one each for a to i.
- Option/Semi-standard symbol: When more than one specification is required, indicate in alphanumeric order.
Example) AW30-03BG-2N-A-X2068

123 psi (0.85 MPa) Setting

		Symbol	Description	①			
				Body size			
				20	30	40	
②	Pipe thread type	Nil	Rc	●	●	●	
		N ^{Note 1)}	NPT	●	●	●	
		F ^{Note 2)}	G	●	●	●	
+							
③	Port size	01	1/8	●	—	—	
		02	1/4	●	●	●	
		03	3/8	—	●	●	
		04	1/2	—	—	●	
		06	3/4	—	—	●	
+							
④ Option (Note 3)	a	Mounting	Nil	Without mounting option	●	●	●
			B ^{Note 4)}	With bracket	●	●	●
			H	With set nut (for panel mount)	●	●	●
	+						
	b	Float type auto drain	Nil	Without auto drain	●	●	●
			C ^{Note 5)}	Float type auto drain (N.C.)	●	●	●
			D ^{Note 6)}	Float type auto drain (N.O.)	—	●	●
	+						
	c	Pressure gauge	Nil	Without pressure gauge	●	●	●
G			Round type pressure gauge (with limit indicator)	●	●	●	
M			Round type pressure gauge (with color zone)	●	●	●	

Note 1) Drain guide is NPT1/8 (applicable to the AW20-A) and NPT1/4 (applicable to the AW30-A to AW40-A).

The auto drain port comes with ø3/8" One-touch fitting (applicable to the AW30-A to AW40-A).

Note 2) Drain guide is G1/8 (applicable to the AW20-A) and G1/4 (applicable to the AW30-A to AW40-A).

Note 3) Option B, G, H, M are not assembled and supplied loose at the time of shipment.

Note 4) Assembly of a bracket and set nuts

Note 5) When pressure is not applied, condensate which does not start the auto drain mechanism will be left in the bowl.

Releasing the residual condensate before ending operations for the day is recommended.

Note 6) If the compressor is small (0.75 kW, discharge flow is less than 3.5 scfm (100 L/min [ANR])), air leakage from the drain cock may occur during start of operations.

N.C. type is recommended.

**123 psi (0.85 MPa)
Setting**

	Symbol	Description	①				
			Body size				
			20	30	40		
⑤ Semi-standard	d	Bowl <small>Note 7)</small>	Nil	Polycarbonate bowl	●	●	●
			2	Metal bowl	●	●	●
			6	Nylon bowl	●	●	●
			8	Metal bowl with level gauge	—	●	●
			C	With bowl guard	●	—	—
			6C	With bowl guard (Nylon bowl)	●	—	—
	+						
	e	Drain port <small>Note 8)</small>	Nil	With drain cock	●	●	●
			J <small>Note 9)</small>	Drain guide 1/8	●	—	—
				Drain guide 1/4	—	●	●
			W <small>Note 10)</small>	Drain cock with barb fitting (for ø6 x ø4 nylon tube)	—	●	●
	+						
	f	Exhaust mechanism	Nil	Relieving type	●	●	●
			N	Non-relieving type	●	●	●
	+						
	g	Flow direction	Nil	Flow direction: Left to right	●	●	●
			R	Flow direction: Right to left	●	●	●
	+						
	h	Pressure unit	Nil	Name plate and caution plate for bowl in imperial units: MPa	●	●	●
			Z <small>Note 11)</small>	Name plate and caution plate for bowl in imperial units: psi, °F	○ <small>Note 12)</small>	○ <small>Note 12)</small>	○ <small>Note 12)</small>

Note 7) Refer to Chemical data on page 76 for chemical resistance of the bowl.

Note 8) The combination of float type auto drain: C and D is not available.

Note 9) Without a valve function

Note 10) The combination of metal bowl: 2 and 8 is not available.

Note 11) For pipe thread type: NPT. This product is for overseas use only according to the new Measurement Law. (The SI unit type is provided for use in Japan.)

Cannot be used with M: Round pressure gauge (with color zone). Available by request for special.

Note 12) ○: For pipe thread type: NPT only

AC

AF+AR+AL

AW+AL

AF+AR

AF+AFM+AR

AW+AFM

Attachment

AF

AFM / AFD


AR


AL


AW

Safety Instructions

These safety instructions are intended to prevent hazardous situations and/or equipment damage. These instructions indicate the level of potential hazard with the labels of “**Caution,**” “**Warning**” or “**Danger.**” They are all important notes for safety and must be followed in addition to International Standards (ISO/IEC)*1, and other safety regulations.

 **Caution:** **Caution** indicates a hazard with a low level of risk which, if not avoided, could result in minor or moderate injury.

 **Warning:** **Warning** indicates a hazard with a medium level of risk which, if not avoided, could result in death or serious injury.

 **Danger :** **Danger** indicates a hazard with a high level of risk which, if not avoided, will result in death or serious injury.

*1) ISO 4414: Pneumatic fluid power – General rules relating to systems.
ISO 4413: Hydraulic fluid power – General rules relating to systems.
IEC 60204-1: Safety of machinery – Electrical equipment of machines.
(Part 1: General requirements)
ISO 10218-1: Manipulating industrial robots – Safety.
etc.

Warning

- 1. The compatibility of the product is the responsibility of the person who designs the equipment or decides its specifications.**
Since the product specified here is used under various operating conditions, its compatibility with specific equipment must be decided by the person who designs the equipment or decides its specifications based on necessary analysis and test results. The expected performance and safety assurance of the equipment will be the responsibility of the person who has determined its compatibility with the product. This person should also continuously review all specifications of the product referring to its latest catalog information, with a view to giving due consideration to any possibility of equipment failure when configuring the equipment.
- 2. Only personnel with appropriate training should operate machinery and equipment.**
The product specified here may become unsafe if handled incorrectly. The assembly, operation and maintenance of machines or equipment including our products must be performed by an operator who is appropriately trained and experienced.
- 3. Do not service or attempt to remove product and machinery/equipment until safety is confirmed.**
 - The inspection and maintenance of machinery/equipment should only be performed after measures to prevent falling or runaway of the driven objects have been confirmed.
 - When the product is to be removed, confirm that the safety measures as mentioned above are implemented and the power from any appropriate source is cut, and read and understand the specific product precautions of all relevant products carefully.
 - Before machinery/equipment is restarted, take measures to prevent unexpected operation and malfunction.
- 4. Contact SMC beforehand and take special consideration of safety measures if the product is to be used in any of the following conditions.**
 - Conditions and environments outside of the given specifications, or use outdoors or in a place exposed to direct sunlight.
 - Installation on equipment in conjunction with atomic energy, railways, air navigation, space, shipping, vehicles, military, medical treatment, combustion and recreation, or equipment in contact with food and beverages, emergency stop circuits, clutch and brake circuits in press applications, safety equipment or other applications unsuitable for the standard specifications described in the product catalog.
 - An application which could have negative effects on people, property, or animals requiring special safety analysis.
 - Use in an interlock circuit, which requires the provision of double interlock for possible failure by using a mechanical protective function, and periodical checks to confirm proper operation.

Caution

- 1. The product is provided for use in manufacturing industries.**
The product herein described is basically provided for peaceful use in manufacturing industries.
If considering using the product in other industries, consult SMC beforehand and exchange specifications or a contract if necessary.
If anything is unclear, contact your nearest sales branch.

Limited warranty and Disclaimer/ Compliance Requirements

The product used is subject to the following “Limited warranty and Disclaimer” and “Compliance Requirements”.

Read and accept them before using the product.

Limited warranty and Disclaimer

- The warranty period of the product is 1 year in service or 1.5 years after the product is delivered, whichever is first.*2)
Also, the product may have specified durability, running distance or replacement parts. Please consult your nearest sales branch.
- For any failure or damage reported within the warranty period which is clearly our responsibility, a replacement product or necessary parts will be provided.
This limited warranty applies only to our product independently, and not to any other damage incurred due to the failure of the product.
- Prior to using SMC products, please read and understand the warranty terms and disclaimers noted in the specified catalog for the particular products.

*2) **Vacuum pads are excluded from this 1 year warranty.**


A vacuum pad is a consumable part, so it is warranted for a year after it is delivered. Also, even within the warranty period, the wear of a product due to the use of the vacuum pad or failure due to the deterioration of rubber material are not covered by the limited warranty.

Compliance Requirements

- The use of SMC products with production equipment for the manufacture of weapons of mass destruction (WMD) or any other weapon is strictly prohibited.
- The exports of SMC products or technology from one country to another are governed by the relevant security laws and regulations of the countries involved in the transaction. Prior to the shipment of a SMC product to another country, assure that all local rules governing that export are known and followed.

Caution

SMC products are not intended for use as instruments for legal metrology.
Measurement instruments that SMC manufactures or sells have not been qualified by type approval tests relevant to the metrology (measurement) laws of each country. Therefore, SMC products cannot be used for business or certification ordained by the metrology (measurement) laws of each country.

 **Safety Instructions** Be sure to read “Handling Precautions for SMC Products” (M-E03-3) before using.

Revision history

Edition B	<ul style="list-style-type: none">• Metal bowl, Metal bowl with level gauge, With bowl guard added.• Made to Order (Long bowl, With element service indicator) added.• Number of pages increased from 76 to 80.	RU
Edition C	<ul style="list-style-type: none">• Nylon bowl added.• The construction drawings of the AW replaced.	RZ
Edition D	<ul style="list-style-type: none">• Body size 10 added. (AR, AW, AF, AL, AC)• Body size 50, 60 added. (AF, AL)• Spacer changed.• Number of pages increased from 80 to 88.	SW

Global Manufacturing, Distribution and Service Network

Worldwide Subsidiaries

EUROPE

AUSTRIA
SMC Pneumatik GmbH (Austria)

BELGIUM
SMC Pneumatics N.V./S.A.

BULGARIA
SMC Industrial Automation Bulgaria EOOD

CROATIA
SMC Industrijska Automatika d.o.o.

CZECH
SMC Industrial Automation CZ s.r.o.

DENMARK
SMC Pneumatik A/S

ESTONIA
SMC Pneumatics Estonia

FINLAND
SMC Pneumatics Finland OY

FRANCE
SMC Pneumatique S.A.

GERMANY
SMC Pneumatik GmbH

GREECE
SMC Hellas EPE

HUNGARY
SMC Hungary Ipari Automatizálási Kft.

IRELAND
SMC Pneumatics (Ireland) Ltd.

ITALY
SMC Italia S.p.A.

LATVIA
SMC Pneumatics Latvia SIA

LITHUANIA
SMC Pneumatics Lietuva, UAB

NETHERLANDS
SMC Pneumatics BV

NORWAY
SMC Pneumatics Norway A/S

POLAND
SMC Industrial Automation Polska Sp.z.o.o.

ROMANIA
SMC Romania S.r.l.

RUSSIA
SMC Pneumatik LLC.

SLOVAKIA
SMC Priemyselna Automatizácia, s.r.o.

SLOVENIA
SMC Industrijska Avtomatika d.o.o.

SPAIN / PORTUGAL
SMC España, S.A.

SWEDEN
SMC Pneumatics Sweden AB

SWITZERLAND
SMC Pneumatik AG

UK
SMC Pneumatics (U.K.) Ltd.

ASIA

CHINA
SMC (China) Co., Ltd.

HONG KONG
SMC Pneumatics (Hong kong) Ltd.

INDIA
SMC Pneumatics (India) Pvt. Ltd.

JAPAN
SMC Corporation

MALAYSIA
SMC Pneumatics (S.E.A.) Sdn. Bhd.

PHILIPPINES
SMC Pneumatics (Philippines), Inc.

SINGAPORE
SMC Pneumatics (S.E.A.) Pte. Ltd.

SOUTH KOREA
SMC Pneumatics Korea Co., Ltd.

TAIWAN
SMC Pneumatics (Taiwan) Co., Ltd.

THAILAND
SMC Thailand Ltd.

NORTH AMERICA

CANADA
SMC Pneumatics (Canada) Ltd.

MEXICO
SMC Corporation (Mexico) S.A. DE C.V.

USA
SMC Corporation of America

SOUTH AMERICA

ARGENTINA
SMC Argentina S.A.

BOLIVIA
SMC Pneumatics Bolivia S.R.L.

BRAZIL
SMC Pneumaticos do Brazil Ltda.

CHILE
SMC Pneumatics (Chile) S.A.

PERU
SMC Corporation Peru S.A.C.

VENEZUELA
SMC Neumatica Venezuela S.A.

OCEANIA

AUSTRALIA
SMC Pneumatics (Australia) Pty. Ltd.

NEW ZEALAND
SMC Pneumatics (N.Z.) Ltd.

U.S. & Canadian Sales Offices

WEST

Austin
Dallas
Los Angeles
Phoenix
Portland
San Francisco

CENTRAL

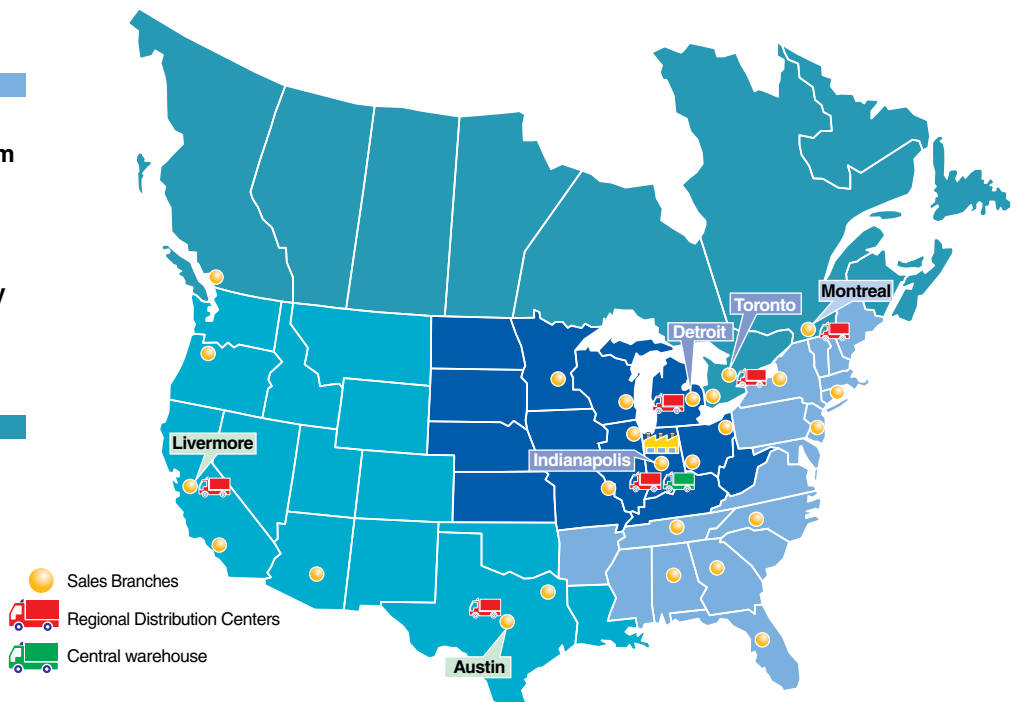
Chicago
Cincinnati
Cleveland
Detroit
Indianapolis
Milwaukee
Minneapolis
St. Louis

EAST

Atlanta
Birmingham
Boston
Charlotte
Nashville
New Jersey
Rochester
Tampa

CANADA

Vancouver
Toronto
Windsor
Montreal



SMC Corporation of America
10100 SMC Blvd., Noblesville, IN 46060
www.smcusa.com

SMC Pneumatics (Canada) Ltd.
www.smcpcneumatics.ca

(800) SMC.SMC1 (762-7621)
e-mail: sales@smcusa.com
International inquiries: www.smcworld.com

