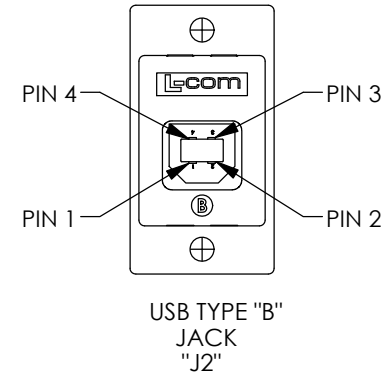
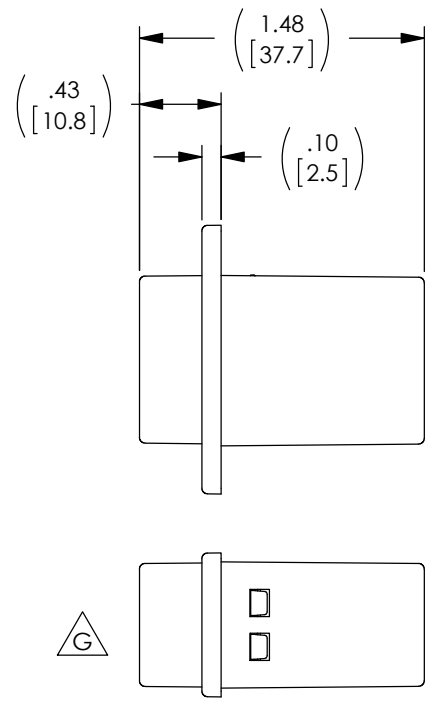
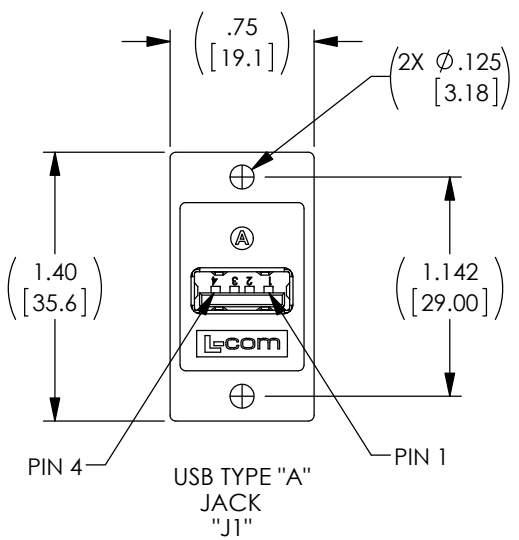


THE INFORMATION CONTAINED IN THIS DRAWING IS THE SOLE PROPERTY OF L-COM, INC. ANY REPRODUCTION IN PART OR WHOLE WITHOUT THE WRITTEN PERMISSION OF L-COM, INC. IS PROHIBITED.

REVISIONS			
REV	DESCRIPTION	DATE	APPROVED
E	ECN 4740: CN RELEASE	5/13/10	D. CASTRO
F	ECN 6458: USE NEW LOGO	10/12/12	D.FRISIELLO
G	ECN 6692: ADDED BOTTOM VIEW FOR CLARITY	2/20/13	D.FRISIELLO

D
C
B
A



NOTES:

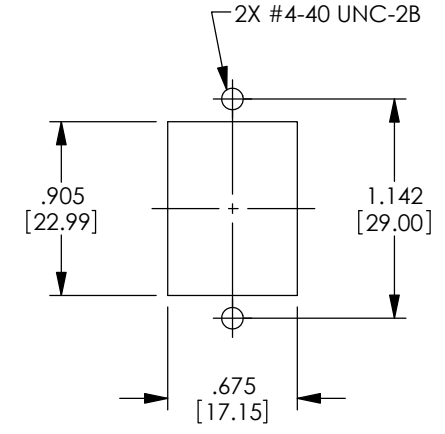
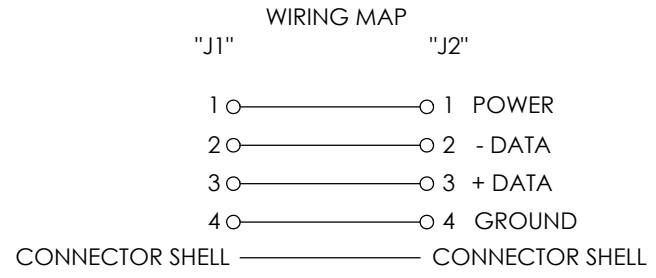
MATERIAL:
 COUPLER HOUSING: ABS, UL94V-0.
 CONNECTOR INSULATORS: WHITE, PBT WITH GLASS FIBER.
 TYPE "A" CONNECTOR CONTACTS: PHOSPHOR BRONZE.
 TYPE "A" CONNECTOR SHELL: BRASS.
 TYPE "B" CONNECTOR CONTACTS: PHOSPHOR BRONZE.
 TYPE "B" CONNECTOR SHELL FRONT: BRASS.
 TYPE "B" CONNECTOR SHELL BACK: STEEL.
 PCB: EPOXY GLASS FP-4, 94V-0 FLAMMABILITY RATING.

FINISH:
 COUPLER HOUSING: COLOR, IVORY.
 CONNECTOR CONTACTS: GOLD, 30μ INCHES.
 CONNECTOR SHELLS: NICKEL.

ELECTRICAL:
 CURRENT RATING: 2 AMP MAX.
 VOLTAGE RATING: 140 VDC.

ENVIRONMENTAL:
 OPERATING TEMPERATURE: -20° C TO +80° C.

MISCELLANEOUS:
 COUPLER SHALL BE TESTED FOR CONTINUITY.
 COUPLER SHALL BE INDIVIDUALLY PACKAGED IN ACCORDANCE WITH L-COM PACKAGING SPEC PS-0031.



RoHS Compliant ✓

RECOMMENDED PANEL CUTOUT

UNLESS OTHERWISE SPECIFIED, DIMENSIONS ARE IN INCHES [mm] OVERALL CABLE LENGTH TOLERANCE: $\le 12 [305] = +1 [25] / -0$ $> 12 [305] \le 60 [1524] = +2 [51] / -0$ $> 60 [1524] \le 120 [3048] = +4 [102] / -0$ $> 120 [3048] \le 300 [7620] = +6 [152] / -0$ $> 300 [7620] = +3\% / -0\%$	APPROVALS	DATE		45 BEECHWOOD DRIVE NORTH ANDOVER, MA 01845
	DRAWN BY C. MCCORMICK	5/4/2001		
ALL OTHER DIMENSIONAL TOLERANCES: .X = ±.2 .XX = ±.02 .XXX = ±.005	CHECKED BY D. PARHAM	5/4/2001	CATEGORY USB	
	APPROVED BY R. CARRICK	5/4/2001	PRODUCT DESCRIPTION USB A-B PANEL ADPT	
PROJECTION 	CONFIGURATION DETAILS OF UNDIMENSIONED FEATURES MAY VARY	COLOR VARIATIONS MAY OCCUR	SIZE A	FSCM NO. 43321
			DWG. NO. ECF504-UAB	REV. G
			SCALE: NONE	CAD FILE: ECF504-UAB.SLDDRW
				SHEET 1 OF 1

8 7 6 5 4 3 2 1