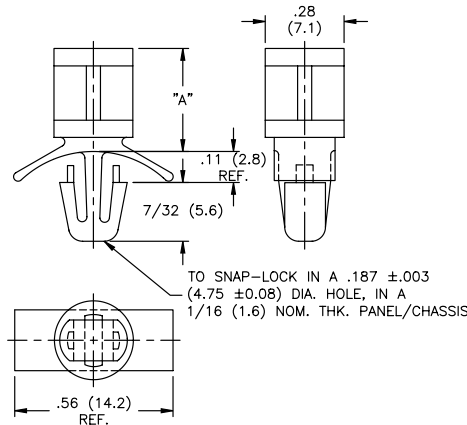


PS Push Spacer



Features

- Supports heavily loaded PC boards often used with Richco LCBS Series

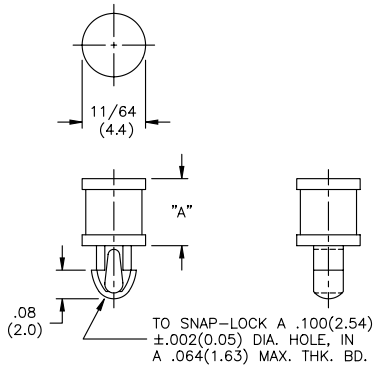


Mat'l: Nylon 6/6, RMS-01 Color: Natural Part Number	Mat'l: Flame Ret. Nyl. 6/6, RMS-19 Color: Natural Part Number	Standard Pack: 1,000 per bag "A" ± .015 (0.4)
PS-3-01	PS-3-19	3/16 (4.8)
PS-4-01	PS-4-19	1/4 (6.4)
PS-6-01	PS-6-19	3/8 (9.5)
PS-7-01	PS-7-19	7/16 (11.1)
PS-8-01	PS-8-19	1/2 (12.7)
PS-10-01	PS-10-19	5/8 (15.9)
PS-12-01	PS-12-19	3/4 (19.1)
PS-14-01	PS-14-19	7/8 (22.2)

"Impact Modified" Nylon 6/6, RMS-73 material available by special order. To order, replace -01 with -73.

Part available for a 1/8" (3.2mm) thick chassis by special order. To order, use Part Number PS-2-XX-XX.

PST Push Spacer, Teardrop

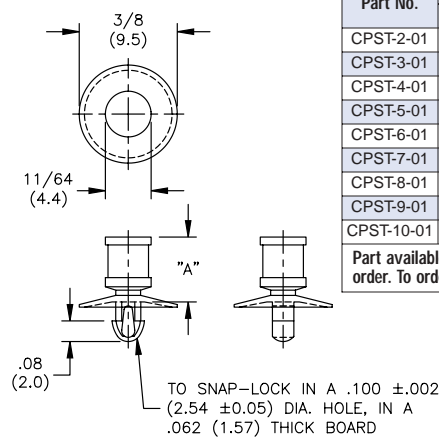


Material: Nylon 6/6, RMS-01
Color: Natural

Part No.	Standard Pack: 1000 per bag "A" ± .015 (0.4)
PST-1-01	1/16 (1.6)
PST-2-01	1/8 (3.2)
PST-3-01	3/16 (4.8)
PST-4-01	1/4 (6.4)
PST-5-01	5/16 (7.9)
PST-6-01	3/8 (9.5)
PST-7-01	7/16 (11.1)
PST-8-01	1/2 (12.7)
PST-9-01	9/16 (14.3)
PST-10-01	5/8 (15.9)

Part available in V-0 material by special order. To order, replace -01 with -19.

CPST Cupped Push Spacer, Teardrop

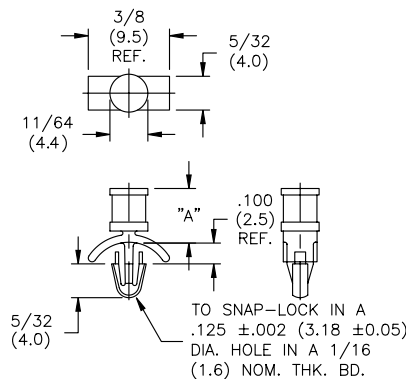
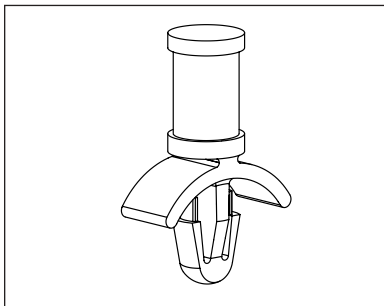


Material: Nylon 6/6, RMS-01
Color: Natural

Part No.	Standard Pack: 1000 per bag "A" ± .015 (0.4)
CPST-2-01	1/8 (3.2)
CPST-3-01	3/16 (4.8)
CPST-4-01	1/4 (6.4)
CPST-5-01	5/16 (7.9)
CPST-6-01	3/8 (9.5)
CPST-7-01	7/16 (11.1)
CPST-8-01	1/2 (12.7)
CPST-9-01	9/16 (14.3)
CPST-10-01	5/8 (15.9)

Part available in V-0 material by special order. To order, replace -01 with -19.

PSM Push Spacer, Mini



Material: Nylon 6/6, RMS-01
Color: Natural

Part Number	Standard Pack: 1,000 per bag "A" ± .015 (0.4)
PSM-2-01	1/8 (3.2)
PSM-3-01	3/16 (4.8)
PSM-4-01	1/4 (6.4)
PSM-5-01	5/16 (7.9)
PSM-6-01	3/8 (9.5)
PSM-7-01	7/16 (11.1)
PSM-8-01	1/2 (12.7)
PSM-9-01	9/16 (14.3)
PSM-10-01	5/8 (15.9)

Part available in V-0 material by special order. To order, replace -01 with -19.