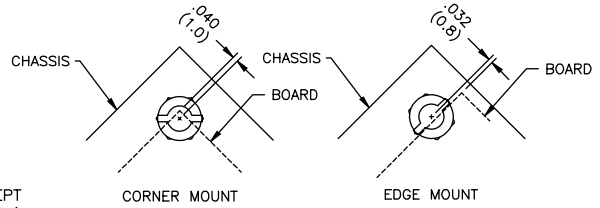
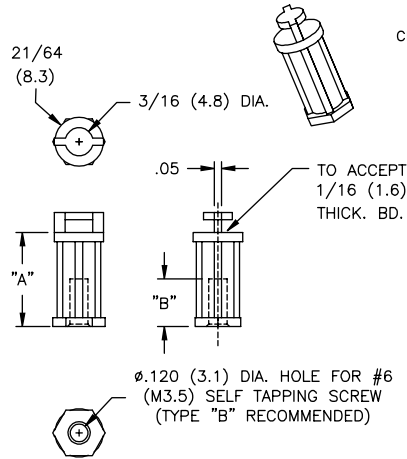


CIRCUIT BOARD HARDWARE

TCEHCBS

Screw Mount Corner / Edge Holding Circuit Board Support



Material: Nylon 6/6, RMS-01 • Color: Natural

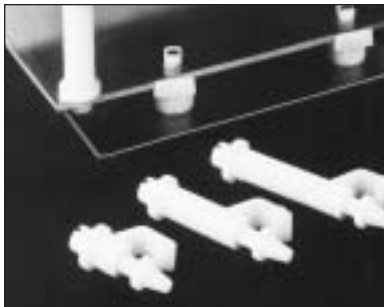
Part No.	Standard Pack: 1000 per bag	
	"A" ± .015 (0.4)	"B" ± .015 (0.4)
TCEHCBS-4-01	1/4 (6.4)	13/64 (5.2)
TCEHCBS-6-01	3/8 (9.5)	5/16 (7.9)
TCEHCBS-8-01	1/2 (12.7)	
TCEHCBS-10-01	5/8 (15.9)	
TCEHCBS-12-01	3/4 (19.1)	
TCEHCBS-14-01	7/8 (22.2)	

Part available in V-0 material by special order. To order, replace -01 with -19.

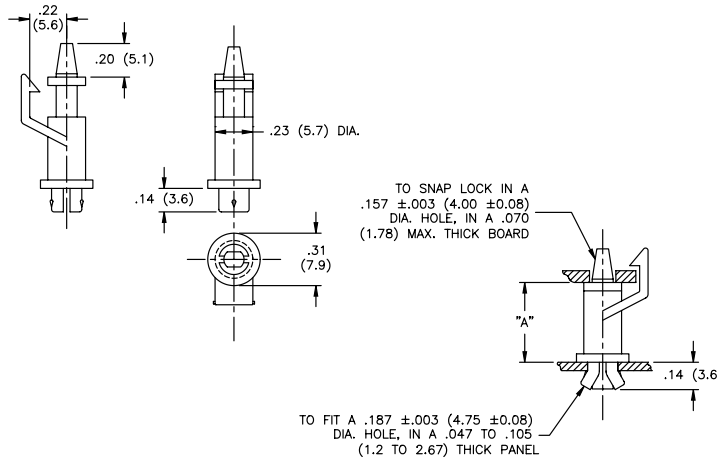
MSCEHCBS-XX-01 with .250" long, M4 threaded stud bottom available by special order. MSCEHCBS-XX-01 available in V-0 material by special order. To order, replace -01 with -19.

REHCBS

Rivet Edge Hold Circuit Board Support



REHCBS-T



Material: Nylon 6/6, RMS-01
Color: Natural

Part No.	Standard Pack:
	1000 per bag
REHCBS-4-01	1/4 (6.4)
REHCBS-5-01	5/16 (7.9)
REHCBS-6-01	3/8 (9.5)
REHCBS-8-01	1/2 (12.7)
REHCBS-11-01	11/16 (17.5)
REHCBS-12-01	3/4 (19.1)
REHCBS-14-01	7/8 (22.2)
REHCBS-16-01	1 (25.4)
REHCBS-19.2-01	1.2 (30.5)
REHCBS-20-01	1 - 1/4 (31.8)

Features

- REHCBS-T assembly tool sold separately

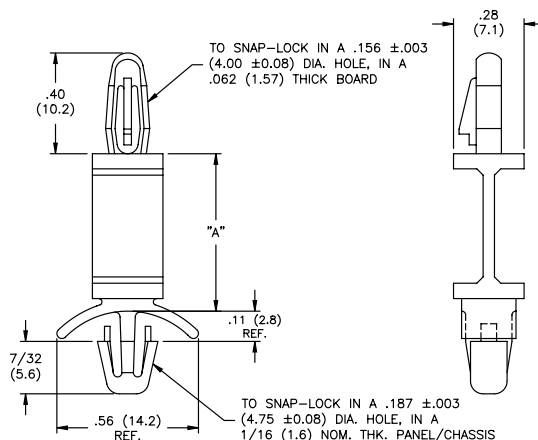
FLCBSU

Flexible Circuit Board Support "U" Style



Features

- Flexible spacer allows access to underside of board for maintenance and repair; use with Richco LSBS Series



Material: Nylon 6/6, RMS-01
Color: Natural

Part No.	Standard Pack:
	1000 per bag
FLCBSU-6-01	3/8 (9.5)
FLCBSU-7-01	7/16 (11.1)
FLCBSU-8-01	1/2 (12.7)
FLCBSU-10-01	5/8 (15.9)
FLCBSU-12-01	3/4 (19.1)
FLCBSU-14-01	7/8 (22.2)
FLCBSU-16-01	1 (25.4)
FLCBSU-18-01	1 - 1/8 (28.6)
FLCBSU-20-01	1 - 1/4 (31.8)
FLCBSU-22-01	1 - 3/8 (34.9)