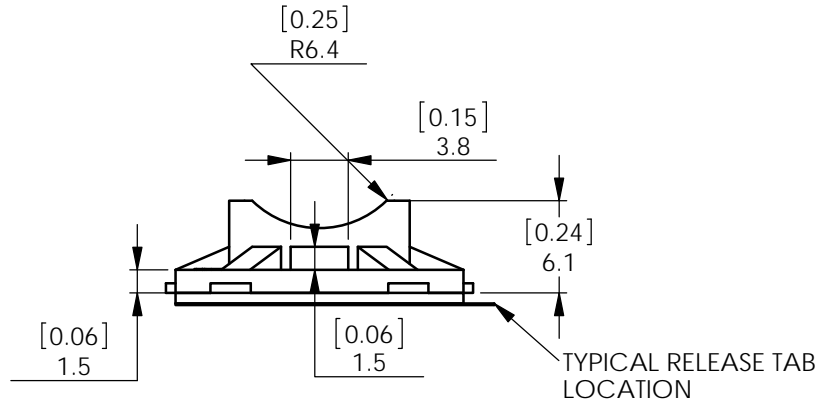
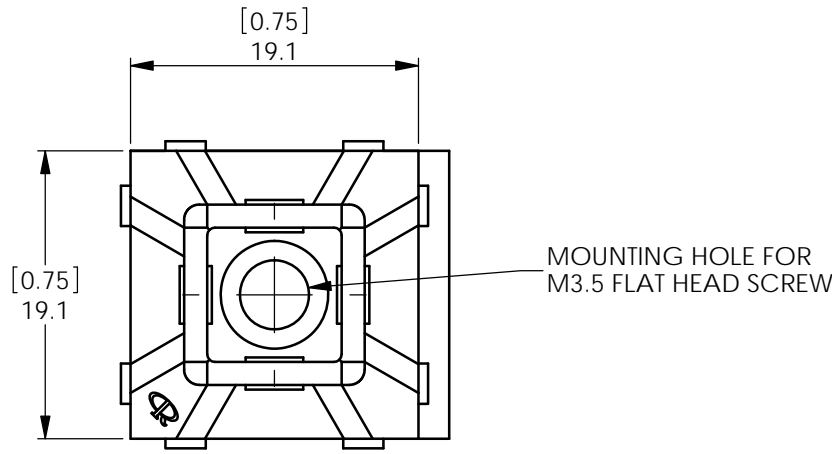


REV.	MODIFICATION.	DATE	DRN
01	Production release	09/09/09	MT
02	CO2011021	16/11/10	SF
03	CO2011061	16/02/11	SF



PART NUMBER	MATERIAL	COLOUR	CABLE TIES ACCEPTED	ADHESIVE
FTH-5-01	NYLON 6/6 UL94 V-2 (RMS-01)	NATURAL	ALL RG CABLE TIES UP TO SIZE RG-220/320	NONE
FTH-5A4-RT				0.8 THICK, DOUBLE SIDED RUBBER ADHESIVE (RMS-024)
FTH-5A1-RT				0.8 THICK, DOUBLE SIDED RUBBER ADHESIVE (RMS-102)
FTH-5-UVB	NONE			
FTH-5A4-RT-UVB	UL94 V-2 UVB STABILIZED NYLON 6/6 (RMS-46)	BLACK		0.8 THICK, DOUBLE SIDED RUBBER ADHESIVE (RMS-024)
FTH-5A1-RT-UVB*				0.8 THICK, DOUBLE SIDED RUBBER ADHESIVE (RMS-102)
PARTS AVAILABLE IN NYLON 6/6 UL94 V-0 (RMS-19) BY SPECIAL ORDER COLOUR:NATURAL				
* AVAILABLE BY SPECIAL ORDER				

INFORMATION CONTAINED IN THIS DOCUMENT IS CONFIDENTIAL TO RICHCO INTERNATIONAL Co. Ltd. AND MAY NOT BE DISCLOSED OR REPRODUCED IN WHOLE OR PART WITHOUT THEIR WRITTEN CONSENT.

RICHCO, INC.
WWW.RICHCO-INC.COM

ALL DIMENSIONS IN mm[Inch]
 GENERAL TOLERANCES ±0.25
 UNLESS OTHERWISE STATED
 1 DECIMAL PLACE ±
 2 DECIMAL PLACES ±
 ANGULAR ±1°

THIRD ANGLE

MATERIAL:	SEE TABLE	COLOUR:	SEE TABLE
-----------	-----------	---------	-----------

DESCRIPTION:	FLAT TIE HOLDER ON ADHESIVE BASE	PART No:	SEE TABLE
--------------	----------------------------------	----------	-----------

DRG No:	09-095	NPR No:		SHEET SIZE	A4
---------	--------	---------	--	------------	----

DRN	DATE	CHKD	DATE	SCALE	SHEET No.
MT	09/09/09	TC	09/09/09	NTS	1 OF 1