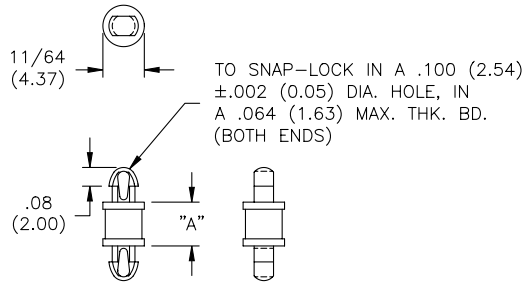
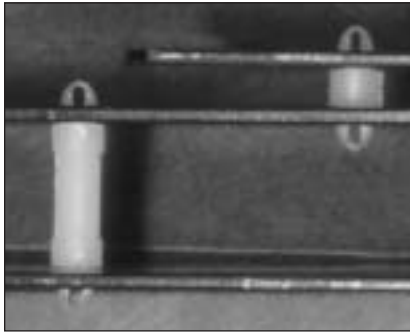


# CIRCUIT BOARD HARDWARE

## DLCBST

### Dual Locking Circuit Board Support, Teardrop



Material: Nylon 6/6, RMS-01  
Color: Natural

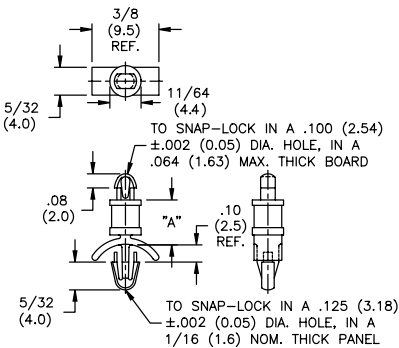
Part Number	Standard Pack: 1,000 per bag
	"A" ± .015 (0.4)
DLCBST-1-01	1/16 (1.6)
DLCBST-2-01	1/8 (3.2)
DLCBST-3-01	3/16 (4.8)
DLCBST-4-01	1/4 (6.4)
DLCBST-5-01	5/16 (7.9)
DLCBST-6-01	3/8 (9.5)
DLCBST-7-01	7/16 (11.1)
DLCBST-8-01	1/2 (12.7)
DLCBST-9-01	9/16 (14.3)
DLCBST-10-01	5/8 (15.9)

Part available in V-0 material by special order. To order, replace -01 with -19.

CHDLCBST-XX-01 with Cupped, Teardrop-style top available by special order. CHDLCBST available in V-0 material by special order. To order, replace -01 with -19.

## DLCBSAT

### Dual Locking Circuit Board Support, Arrowhead/Teardrop



Material: Nylon 6/6, RMS-01  
Color: Natural

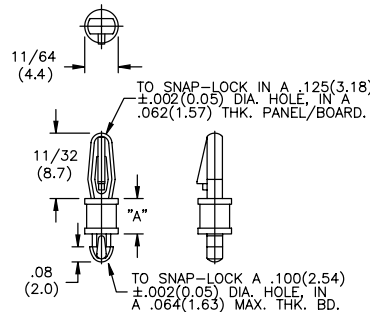
Part Number	Standard Pack: 1,000 per bag
	"A" ± .015 (0.4)
DLCBSAT-2-01	1/8 (3.2)
DLCBSAT-3-01	3/16 (4.8)
DLCBSAT-4-01	1/4 (6.4)
DLCBSAT-5-01	5/16 (7.9)
DLCBSAT-6-01	3/8 (9.5)
DLCBSAT-7-01	7/16 (11.1)
DLCBSAT-8-01	1/2 (12.7)
DLCBSAT-9-01	9/16 (14.3)
DLCBSAT-10-01	5/8 (15.9)

Part available in V-0 material by special order. To order, replace -01 with -19.

CDLCBSAT-XX-01 with Cupped, Teardrop-style top available by special order. CDLCBSAT available in V-0 material by special order. To order, replace -01 with -19.

## LCBST

### Locking Circuit Board Support, Teardrop



Material: Nylon 6/6, RMS-01  
Color: Natural

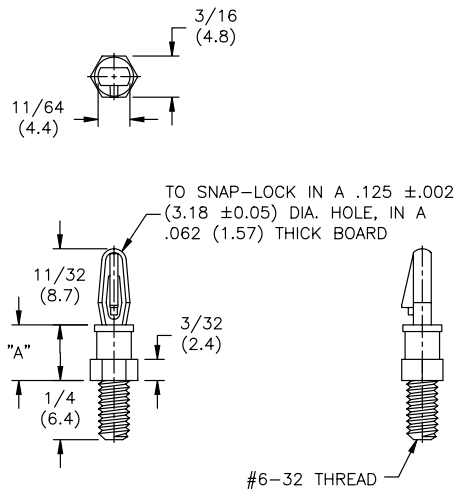
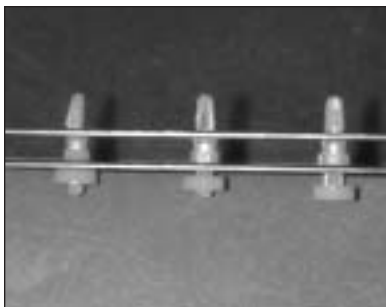
Part Number	Standard Pack: 1,000 per bag
	"A" ± .015 (0.4)
LCBST-1-01	1/16 (1.6)
LCBST-2-01	1/8 (3.2)
LCBST-3-01	3/16 (4.8)
LCBST-4-01	1/4 (6.4)
LCBST-5-01	5/16 (7.9)
LCBST-6-01	3/8 (9.5)
LCBST-7-01	7/16 (11.1)
LCBST-8-01	1/2 (12.7)
LCBST-9-01	9/16 (14.3)
LCBST-10-01	5/8 (15.9)

Part available in V-0 material by special order. To order, replace -01 with -19.

CLCBST-XX-01 with Cupped, Teardrop-style bottom available by special order. CLCBST available in V-0 material by special order. To order, replace -01 with -19.

## SCBSM

### Studded Circuit Board Support, Mini



Material: Nylon 6/6, RMS-01 • Color: Natural

Part Number	Standard Pack: 1,000 per bag
	"A" Dim ± .015 (0.4)
SCBSM-632-2-01	1/8 (3.2)
SCBSM-632-3-01	3/16 (4.8)
SCBSM-632-4-01	1/4 (6.4)
SCBSM-632-5-01	5/16 (7.9)
SCBSM-632-6-01	3/8 (9.5)
SCBSM-632-7-01	7/16 (11.1)
SCBSM-632-8-01	1/2 (12.7)
SCBSM-632-9-01	9/16 (14.3)
SCBSM-632-10-01	5/8 (15.9)

Part available in V-0 material by special order. To order, replace -01 with -19.

MSCBSM-M3-XX-01 or MSCBSM-M4-XX-01 with M3 or M4 threaded stud bottoms available by special order. MSCBSM available in V-0 material by special order. To order, replace -01 with -19.

Mating Nuts	Thread
HN#6-32-01	6-32
HN-M3-79	M-3
HN-M4-01	M-4