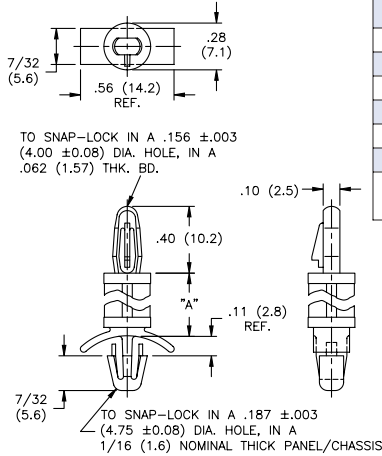


CIRCUIT BOARD HARDWARE

LCBS

Locking Circuit Board Support



| Material: Nylon 6/6, RMS-01 •Color: Blue | |
|--|------------------------------|
| Part Number | Standard Pack: 1,000 per bag |
| | "A" ± 0.4 mm |
| LCBS-6M-01 | 6.0 mm |
| LCBS-8M-01 | 8.0 mm |
| LCBS-10M-01 | 10.0 mm |
| LCBS-12M-01 | 12.0 mm |
| LCBS-14M-01 | 14.0 mm |
| LCBS-16M-01 | 16.0 mm |

Part available in V-0 material by special order. To order, replace -01 with -19

| Mat'l: Nylon 6/6, RMS-01 Color: Natural Part Number | Mat'l: Flame Ret. Nyl. 6/6, RMS-19 Color: Natural Part Number | Standard Pack: 1,000 per bag "A" ± .015 (0.4) |
|---|---|---|
| LCBS-3-01 | LCBS-3-19 | 3/16 (4.8) |
| LCBS-4-01 | LCBS-4-19 | 1/4 (6.4) |
| LCBS-5-01 | LCBS-5-19 | 5/16 (7.9) |
| LCBS-6-01 | LCBS-6-19 | 3/8 (9.5) |
| LCBS-7-01 | LCBS-7-19 | 7/16 (11.1) |
| LCBS-8-01 | LCBS-8-19 | 1/2 (12.7) |
| LCBS-10-01 | LCBS-10-19 | 5/8 (15.9) |
| LCBS-12-01 | LCBS-12-19 | 3/4 (19.1) |
| LCBS-14-01 | LCBS-14-19 | 7/8 (22.2) |
| LCBS-16-01 | LCBS-16-19 | 1 (25.4) |
| LCBS-18-01 | LCBS-18-19 | 1-1/8 (28.6) |
| LCBS-20-01 | LCBS-20-19 | 1-1/4 (31.7) |
| LCBS-22-01 | LCBS-22-19 | 1-3/8 (34.9) |

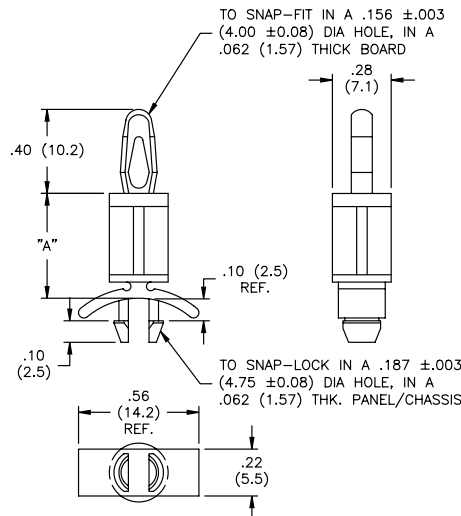
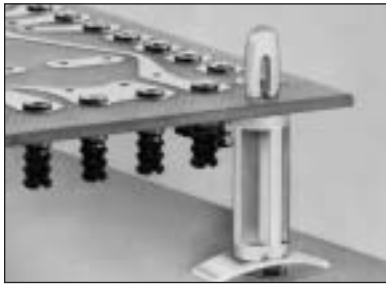
"Impact Modified" Nylon 6/6, RMS-73 material available by special order. To order, replace -01 with -73.

LCBS-4-XX-01 with Non-Locking Bayonet Nose (CBS-style) top available by special order. LCBS-4 available in V-0 material by special order. To order replace -01 with -19.

Patent Nos. 3,777,052 & 3,909,883

CBS

Circuit Board Support



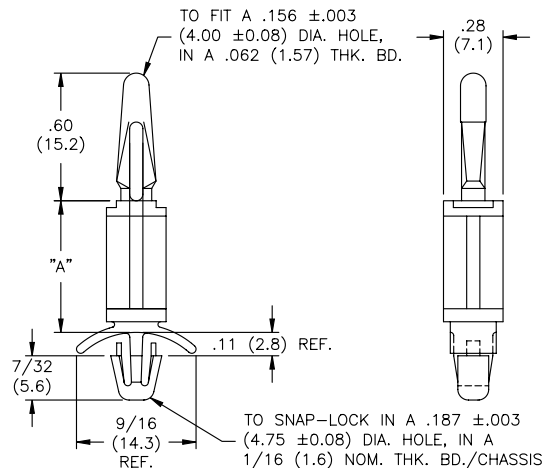
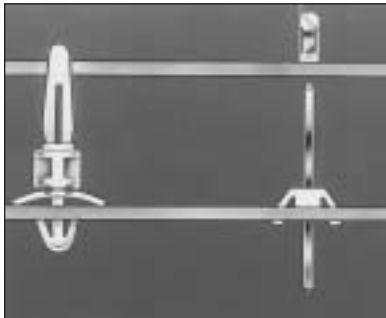
| Mat'l: Nylon 6/6, RMS-01 Color: Natural Part Number | Mat'l: Flame Ret. Nyl. 6/6, RMS-19 Color: Natural Part Number | Standard Pack: 1,000 per bag "A" ± .015(0.4) |
|---|---|--|
| CBS-3-01 | CBS-3-19 | 3/16 (4.8) |
| CBS-4-01 | CBS-4-19 | 1/4 (6.4) |
| CBS-6-01 | CBS-6-19 | 3/8 (9.5) |
| CBS-8-01 | CBS-8-19 | 1/2 (12.7) |
| CBS-10-01 | CBS-10-19 | 5/8 (15.9) |
| CBS-12-01 | CBS-12-19 | 3/4 (19.1) |
| CBS-14-01 | CBS-14-19 | 7/8 (22.2) |

LCBS-5-XX-01 with Locking Bayonet Nose (LCBS-style) top available by special order. LCBS-5 available in V-0 material by special order. To order replace -01 with -19.

Patent Nos. 3,688,635

LNCBS

Long Nose Circuit Board Support



| Mat'l: Nylon 6/6, RMS-01 Color: Natural Part Number | Mat'l: Flame Ret. Nyl. 6/6, RMS-19 Color: Natural Part Number | Standard Pack: 1,000 per bag "A" ± .015(0.4) |
|---|---|--|
| LNCBS-3-01 | LNCBS-3-19 | 3/16 (4.8) |
| LNCBS-4-01 | LNCBS-4-19 | 1/4 (6.4) |
| LNCBS-6-01 | LNCBS-6-19 | 3/8 (9.5) |
| LNCBS-8-01 | LNCBS-8-19 | 1/2 (12.7) |
| LNCBS-10-01 | LNCBS-10-19 | 5/8 (15.9) |
| LNCBS-12-01 | LNCBS-12-19 | 3/4 (19.1) |
| LNCBS-14-01 | LNCBS-14-19 | 7/8 (22.2) |

Highlights

- Automatically locates and aligns connector pins with socket.