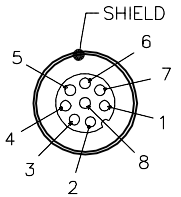


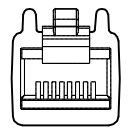
FEMALE END VIEW

RJ45 END VIEW

SPECIFICATIONS

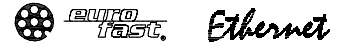


- 1 = WHITE/BLUE
- 2 = WHITE/BROWN
- 3 = BROWN
- 4 = ORANGE (-TX)
- 5 = WHITE/GREEN (+RX)
- 6 = WHITE/ORANGE (+TX)
- 7 = BLUE
- 8 = GREEN (-RX)

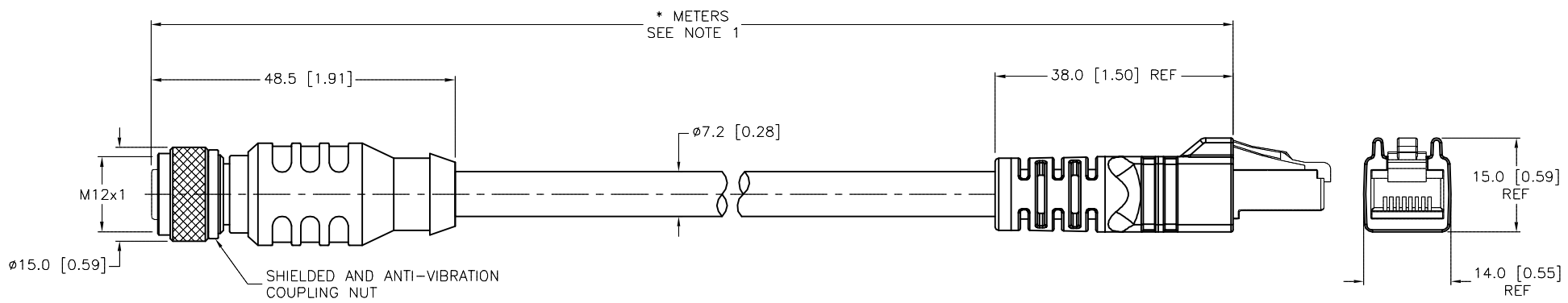


12345678

- 1 = WHITE/ORANGE (+TX)
- 2 = ORANGE (-TX)
- 3 = WHITE/GREEN (+RX)
- 4 = BLUE
- 5 = WHITE/BLUE
- 6 = GREEN (-RX)
- 7 = WHITE/BROWN
- 8 = BROWN



| | |
|-------------------------------------|--|
| CONTACT CARRIER MATERIAL (RKC) | NYLON or TPU |
| MOLDED HEAD MATERIAL/COLOR (RKC) | TPU/BLACK |
| CONTACT MATERIAL/PLATING (RKC) | BRASS/GOLD |
| COUPLING NUT MATERIAL/PLATING (RKC) | BRASS/NICKEL |
| CONTACT CARRIER MATERIAL (RJ45) | POLYCARBONATE |
| MOLDED HEAD MATERIAL/COLOR (RJ45) | TPU/BLACK |
| CONTACT MATERIAL/PLATING (RJ45) | BRONZE/GOLD |
| RATED CURRENT [A] | 1.5 A |
| RATED VOLTAGE [V] | 42 V |
| OUTER CABLE JACKET MATERIAL/COLOR | TPE/TEAL |
| CONDUCTOR INSULATION MATERIAL | HDPE |
| NUMBER OF CONDUCTORS [AWG] | 4UTPx24 AWG, SOLID |
| DRAIN/SHIELD | 24 AWG/ALUM.-POLYESTER FOIL, T-C BRAIDED |
| TEMPERATURE RANGE | -40°C to +80°C (-40°F to +176°F) |
| PROTECTION CLASS (RKC) | MEETS IEC IP67 (RJ45:IP20) |



* METERS
SEE NOTE 1

| "843" RAW CABLE SPECIFICATIONS | |
|--|--|
| CABLE PROPERTIES: | OIL, UV, WELD SLAG, AND ABRASION RESISTANT |
| VOLTAGE RATINGS (MAX): | 600V |
| CATEGORY: | CAT 5e |
| APPROVALS: | C(UL)US CM |
| COMPLIANT WITH NEC ARTICLE 800 COMMUNICATIONS CABLES | |

| CABLE LENGTH | TOLERANCE * |
|------------------------------|---|
| ALL LENGTHS | + 4% (OR 50mm) OF LENGTH - 0% (OR 0mm) OF LENGTH WHICHEVER IS GREATER |
| STRIP LENGTH | TOLERANCE * |
| 0-7mm | ±0.5mm |
| 8-29mm | ±1.0mm |
| 30-49mm | ±2.0mm |
| 50-69mm | ±3.0mm |
| 70-100mm | ±4.0mm |
| OVER 100mm | ±5.0mm |
| * UNLESS OTHERWISE SPECIFIED | |

NOTES:
1. "*" INDICATES CABLE LENGTH IN METERS. CONTACT TURCK TO ORDER SPECIFIC LENGTHS.

SOURCE DRAWING - FOR REFERENCE ONLY

| | | | | | | |
|---|---|--|---|---|---------------------------|--------------------------------|
| RELATED DOCUMENTS 1. 2. 3. 4. | 3RD ANGLE PROJECTION | THIS DRAWING IS CONFIDENTIAL AND THE PROPERTY OF TURCK INC. USE OF THIS DOCUMENT WITHOUT WRITTEN PERMISSION IS PROHIBITED. | | 3000 CAMPUS DRIVE MINNEAPOLIS, MN 55441 1-800-544-7769 (763) 553-7300 (763) 553-0708 fax turck.com | | |
| | | DRFT | RDS | DATE | 5/30/03 | DESCRIPTION RKS RJ45 843-*M |
| MATERIAL | ALL DIMENSIONS DISPLAYED ON THIS DRAWING ARE FOR REFERENCE ONLY | APVD | | SCALE | 1=1.0 | |
| FINISH | | CONTACT TURCK FOR MORE INFORMATION | UNIT OF MEASUREMENT MILLIMETER [INCH] | | IDENTIFICATION NO. | REV L |
| L | ADD CABLE SPECIFICATIONS | KMY | 08/08/14 | 46546 | | |
| REV | DESCRIPTION | BY | DATE | ECO NO. | DO NOT SCALE THIS DRAWING | |
| | | | | | FILE: 777006213 | SHEET 1 OF 1 |

| | | | | |
|-----|--------------------------|-----|----------|---------|
| L | ADD CABLE SPECIFICATIONS | KMY | 08/08/14 | 46546 |
| REV | DESCRIPTION | BY | DATE | ECO NO. |