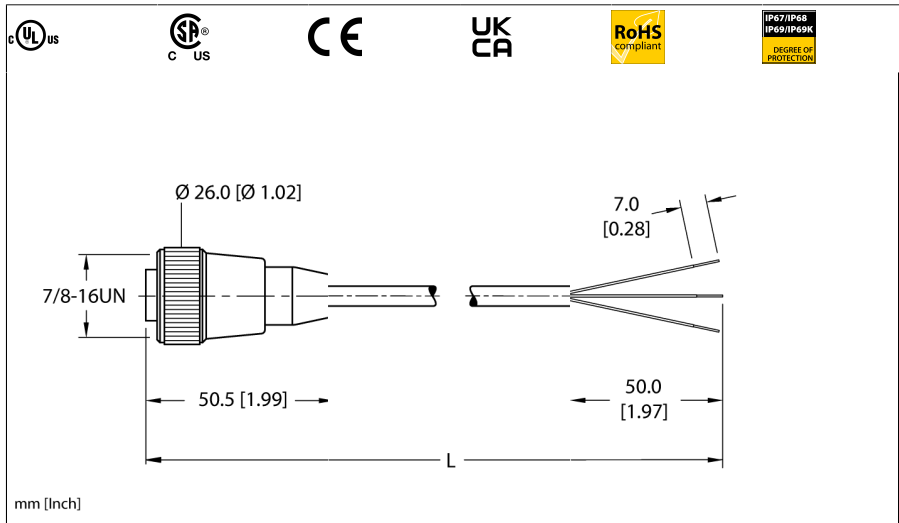
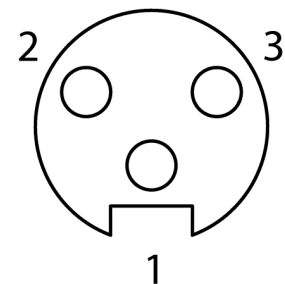


**Actuator and Sensor Cordset
Connection Cordset
RKM 31-xM/S600**



- 7/8" Female, Straight, 3-pin
- Flexible Service Cable
- Yellow CPE jacket, 3X18 AWG
- Sunlight Resistant
- -50 Cold Bend Rating
- Oil Resistant
- Flame Ratings: UL 1060, CSA FT1



Circuit Diagram



Type	RKM 31-xM/S600
ID	777001249
Connector A	Female, 7/8"-16 UN, Straight
Number of contacts	3
Contact carriers	Plastic, TPU, Yellow
Connector body	Plastic, TPU, Yellow
Coupling nut	Brass, CuZn, Nickel-plated
Mechanical life	> 100 Mating cycles
Pollution degree	3
Protection class (When coupled)	IP67, IP68, IP69, IP69K
	NEMA: 1, 3, 4, 6P, 12
Cable data	
Cable ID	RF50654
Total number of conductors	3
Cable diameter	Ø 8mm
Cable jacket	CPE, Yellow
Conductor diameter	0.11 "
Conductor material	BC (bare copper)
Conductor insulation material	EPDM
Conductor size	3 x 18 AWG [Similar to 0.75 mm ²]
Number of strands x O.D.	41 x 34AWG
Conductor colors	BK, BN, BU
Electrical properties at +20 °C	
Rated voltage	300VV
Current	9AA
Mechanical and chemical properties	
Bending radius (static)	≥ 5 x Ø
Bending radius (dynamic)	≥ 10 x Ø
UL cold bend rating	-40 °C
Ambient temperature range (static)	-40°C...+105°C
Ambient temperature range (dynamic)	5°C...+105°C
Temperature range (installation)	-10°C...+105°C
Approval	

Actuator and Sensor Cordset Connection Cordset RKM 31-xM/S600

Note

- Flex ratings may be reduced if used in extreme temperatures, exposure to certain chemicals, operating above the rated cycle speed, or operating below the rated cable bend radius.
- We reserve the right to make technical alterations without prior notice.