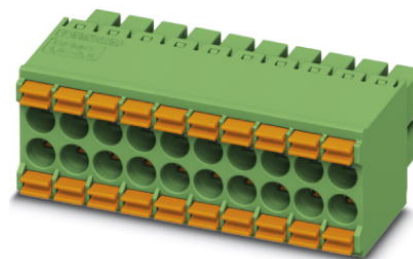



## DFMC 1,5/ 3-ST-3,5

Order No.: 1790111

The figure shows a 10-pos. version with 20 contacts

<http://catalog.phoenixcontact.net/phoenix/treeViewClick.do?UID=1790111>

Plug, nominal current: 8 A, rated voltage (III/2): 160 V, number of positions: 3 with 6 contacts, pitch: 3.5 mm, connection method: spring-cage connection, color: green, contact surface: tin

Commercial data	
EAN	 4 046356 594264
sales group	E101
Pack	50 Pcs.
Customs tariff	85366990
Gross weight in pieces	0.0034 KG
Net weight per piece	0.0034 KG
Catalog page information	Page 184 (C-1-2013)

**Product notes**WEEE/RoHS-compliant since:  
07/08/2010

<http://www.download.phoenixcontact.com>  
Please note that the data given here has been taken from the online catalog. For comprehensive information and data, please refer to the user documentation. The General Terms and Conditions of Use apply to Internet downloads.

Technical data	
<b>Dimensions</b>	
Length	22.65 mm
Height	13.25 mm
Pitch	3.5 mm
Dimension a	7 mm

**General**

Range of articles	DFMC 1,5/...-ST
Insulating material group	I
Rated surge voltage (III/3)	2.5 kV
Rated surge voltage (III/2)	2.5 kV
Rated surge voltage (II/2)	2.5 kV
Rated voltage (III/3)	160 V
Rated voltage (III/2)	160 V
Rated voltage (II/2)	250 V
Connection in acc. with standard	EN-VDE
Nominal current $I_N$	8 A
Nominal cross section	1.5 mm <sup>2</sup>
Maximum load current	8 A
Insulating material	PA
Inflammability class according to UL 94	V0
Internal cylindrical gage	A1
Stripping length	10 mm
Number of positions	3

**Connection data**

Conductor cross section solid min.	0.2 mm <sup>2</sup>
Conductor cross section solid max.	1.5 mm <sup>2</sup>
Conductor cross section stranded min.	0.2 mm <sup>2</sup>
Conductor cross section stranded max.	1.5 mm <sup>2</sup>
Conductor cross section stranded, with ferrule without plastic sleeve min.	0.25 mm <sup>2</sup>
Conductor cross section stranded, with ferrule without plastic sleeve max.	1.5 mm <sup>2</sup>
Conductor cross section stranded, with ferrule with plastic sleeve min.	0.25 mm <sup>2</sup>
Conductor cross section stranded, with ferrule with plastic sleeve max.	0.75 mm <sup>2</sup>
Conductor cross section AWG/kcmil min.	24
Conductor cross section AWG/kcmil max	16
Minimum AWG according to UL/CUL	16
Maximum AWG according to UL/CUL	24

**Certificates / Approvals**



Certification cULus Recognized, VDE Gutachten mit Fertigungsüberwachung, IECCE CB Scheme

Certifications applied for:

Certification Ex:

**Accessories**

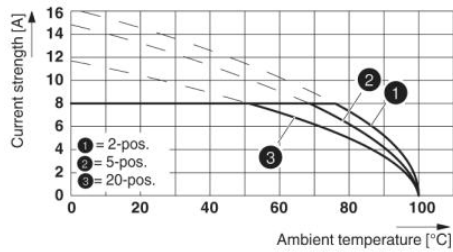
Item	Designation	Description
<b>General</b>		
1790647	CP-DMC 1,5-THR NAT	Coding profile, for plugging into the coding ribs of the plug or header at a later date, insulating material, color: natural
<b>Tools</b>		
1212034	CRIMPFOX 6	Crimping pliers, for ferrules without insulating collar according to DIN 46228 Part 1 and ferrules with insulating collar according to DIN 46228 Part 4, 0.25 mm <sup>2</sup> ... 6.0 mm <sup>2</sup> , lateral entry, trapezoidal crimp
1205037	SZS 0,4X2,5 VDE	Screwdriver, slot-headed, VDE insulated, size: 0.4 x 2.5 x 80 mm, 2-component grip, with non-slip grip

**Additional products**

Item	Designation	Description
<b>General</b>		
1786840	DMC 1,5/ 3-G1-3,5 P20THR	Header, Nominal current: 8 A, Rated voltage (III/2): 160 V, Number of positions: 3, Pitch: 3.5 mm, Color: black, Contact surface: Tin, Assembly: SMD/THT/THR
1816140	DMC 1,5/ 3-G1-3,5 P20THR R24-2	Header, Nominal current: 8 A, Rated voltage (III/2): 160 V, Number of positions: 3, Pitch: 3.5 mm, Color: black, Contact surface: Tin, Assembly: Taped SMD/THT/THR components
1787218	DMCV 1,5/ 3-G1-3,5 P20THR	Header, Nominal current: 8 A, Rated voltage (III/2): 160 V, Number of positions: 3, Pitch: 3.5 mm, Color: black, Contact surface: Tin, Assembly: SMD/THT/THR
1818588	DMCV 1,5/ 3-G1-3,5 P20THR R24	Header, Nominal current: 8 A, Rated voltage (III/2): 160 V, Number of positions: 3, Pitch: 3.5 mm, Color: black, Contact surface: Tin, Assembly: Taped SMD/THT/THR components

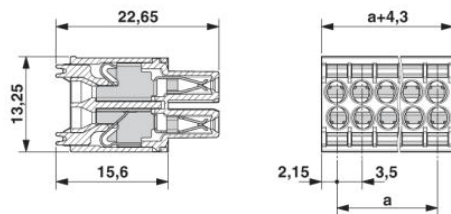
## Drawings

### Diagram



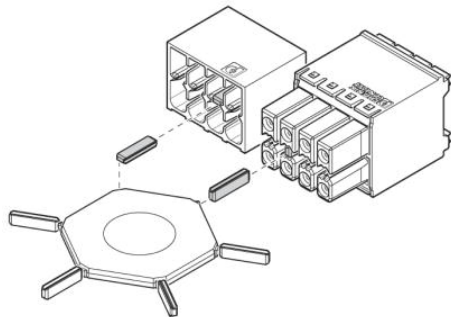
Type: DFMC 1,5/...-ST-3,5 with DMC 1,5/...-G1-3,5 P20 THR

### Dimensioned drawing



### Schematic diagram

Use of the CP-DMC... coding profile



**Address**

PHOENIX CONTACT Deutschland GmbH  
Flachmarktstr. 8  
32825 Blomberg, Germany  
Phone +49 5235 3 12000  
Fax +49 5235 3 41200  
<http://www.phoenixcontact.com>



© 2014 Phoenix Contact  
Technical modifications reserved;