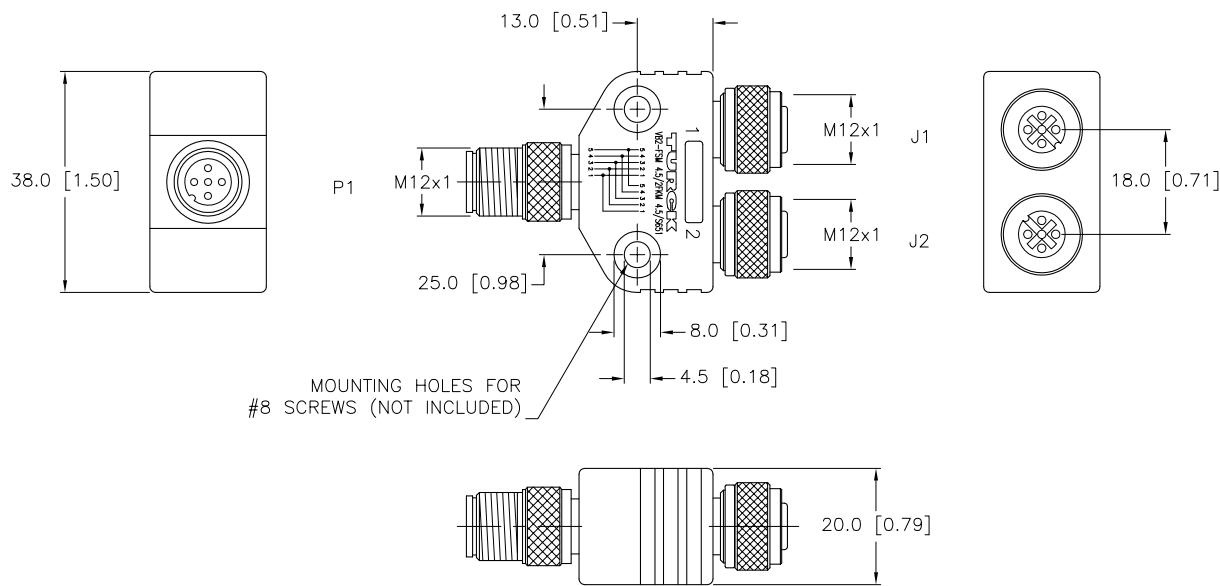


FEMALE END VIEW	MALE END VIEW	WIRING DIAGRAM	SPECIFICATIONS	
			CONTACT CARRIER MATERIAL	NYLON OR TPU
			MOLDED HEAD MATERIAL/COLOR	TPU/YELLOW
			CONTACT MATERIAL/PLATING	BRASS/GOLD
			COUPLING NUT MATERIAL/PLATING	BRASS/NICKEL
			RATED CURRENT [A]	4.0 A
			RATED VOLTAGE [V]	250 V
			TEMPERATURE RATING	-40°C to +105°C (-40°F to +221°F)
			PROTECTION CLASS	MEETS NEMA 1,3,4,6P AND IEC IP67



SOURCE DRAWING - FOR REFERENCE ONLY

NOTES:

1. "/S651" DESIGNATES PARALLEL WIRING.

RELATED DOCUMENTS		3RD ANGLE PROJECTION		THIS DRAWING IS CONFIDENTIAL AND THE PROPERTY OF TURCK INC. USE OF THIS DOCUMENT WITHOUT WRITTEN PERMISSION IS PROHIBITED.		 3000 CAMPUS DRIVE MINNEAPOLIS, MN 55441 1-800-544-7769 (763) 553-7300 (763) 553-0708 fax turck.com	
1. 2. 3. 4.				DRFT	CBM	DATE	01/31/02
MATERIAL		SEE SPECIFICATIONS		DSGN	SCALE	DESCRIPTION	
FINISH		SEE SPECIFICATIONS		UNIT OF MEASUREMENT		VB2-FSM 4.5/2FKM 4.5/S651	
				MILLIMETER [ INCH ]		IDENTIFICATION NO.	REV
C		DRAWING PROCESSED AS PART OF ECO 33971		DO NOT SCALE THIS DRAWING		U0098-2	C
REV	DESCRIPTION	BY	DATE	ECO NO.	FILE: U0098-2		SHEET 1 OF 1