

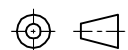

CABLE LENGTH	TOLERANCE *
ALL LENGTHS	+ 4% (OR 50mm) OF LENGTH - 0% (OR 0mm) OF LENGTH WHICHEVER IS GREATER
STRIP LENGTH	TOLERANCE *
0-7mm	±0.5mm
8-29mm	±1.0mm
30-49mm	±2.0mm
50-69mm	±3.0mm
70-100mm	±4.0mm
OVER 100mm	±5.0mm
* UNLESS OTHERWISE SPECIFIED	

**NOTES:**

1. "\*" DESIGNATES CABLE LENGTH IN METERS. CONTACT TURCK TO ORDER SPECIFIC LENGTHS.

2. "/S675" DESIGNATES SPECIAL WIRING TO ADAPT BANNER NPN SENSOR OUTPUT (PIN #2) TO VB SERIES JUNCTION BOXES.

**SOURCE DRAWING - FOR REFERENCE ONLY**

RELATED DOCUMENTS 1. 2. 3. 4.	3RD ANGLE PROJECTION 	THIS DRAWING IS CONFIDENTIAL AND THE PROPERTY OF TURCK INC. USE OF THIS DOCUMENT WITHOUT WRITTEN PERMISSION IS PROHIBITED.	 High Technology Sensors and Automation Controls	3000 CAMPUS DRIVE MINNEAPOLIS, MN 55441 1-800-544-7769 (763) 553-7300 (763) 553-0708 fax turck.com
MATERIAL	ALL DIMENSIONS DISPLAYED ON THIS DRAWING ARE FOR REFERENCE ONLY	DRFT IK	DATE 04/07/99	DESCRIPTION RK 4.4T--RS 4.4T/S675
FINISH		APVD	SCALE 1=1.0	
		UNIT OF MEASUREMENT <b>MILLIMETER [ INCH ]</b>		IDENTIFICATION NO.
		CONTACT TURCK FOR MORE INFORMATION		REV 
		DO NOT SCALE THIS DRAWING		FILE: 777000961
				SHEET 1 OF 1

I	UPDATE CABLE SPECIFICATIONS	KMY	05/22/14	44672
REV	DESCRIPTION	BY	DATE	ECO NO.