

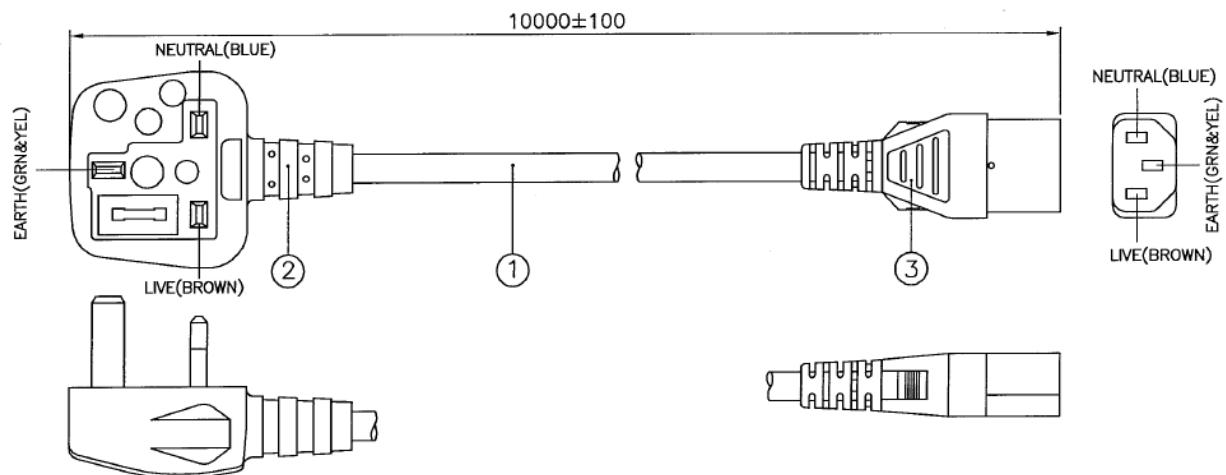
Datasheet

British Power Supply Cord Set

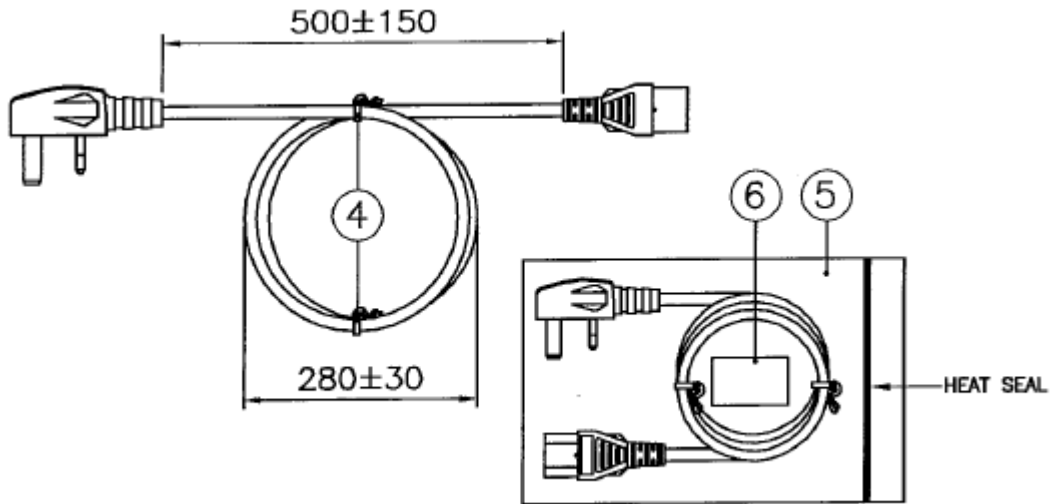
RS Stock number 909-2156

Note:

- All dimensions in mm
- The cord shall comply with EN 50525-2-11
- The molded plug shall comply with BS 1363-1
- The molded connector shall comply with IEC 60320-1 or EN 60320-1



S/N	Description	Item Number	Qty.
1	H05W-F 3X1.00 black PVC lead free	1210365	1
2	Molded plug MP5004 (10A 250V)	MP5004-3	1
	IP60G NL7976B black	4100115	-
	Fuse 10A	6210005	1
	Fuse 10A (cap with nickel plating)	6210013	OR
3	Molded Connector V1625 (10A 250V)	V1625	1



S/N	Description	Item Number	Qty.
4	8" PE Tie black	6310062	2
5	Bag PE 356X508x0.05	904036	1
6	Printed Label	VL-0538	1