

# Arbor-mounted Reels

## SPECIFICATIONS

**SPRING:** High-carbon steel

**CABLE:** 7 x 7 construction, preformed galvanized steel with nylon coating

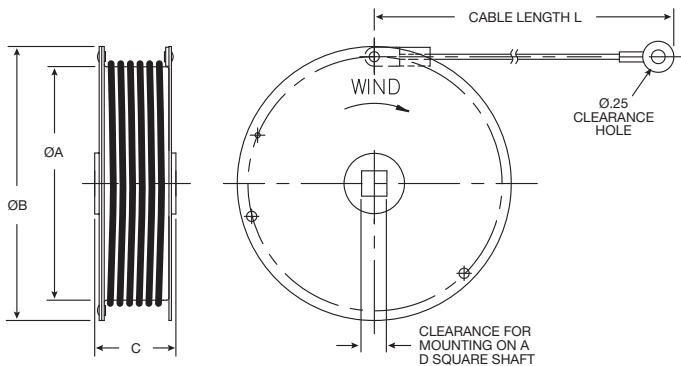
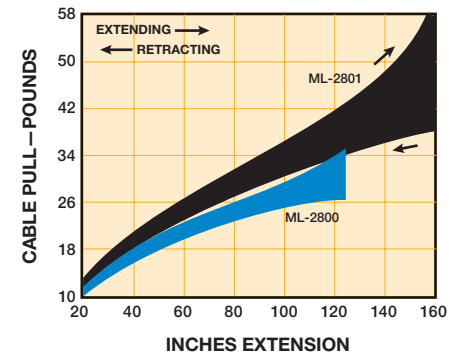
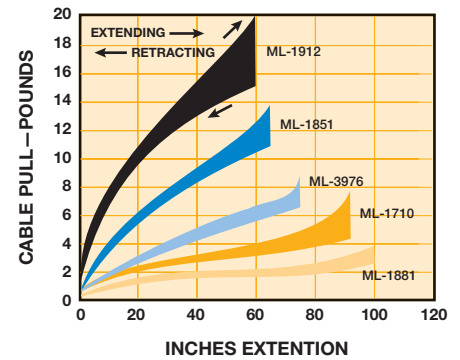
**CASE:** Steel, epoxy powder coated

**ARBOR:** Acetal (POM)



Part Number	Spec Number	Dimensions				Cable	
		A	B	C	D	Dia.	Length
ML-1710	192400	2.875	3.375	1.0	0.313	0.094	90
ML-1851	191581	2.875	3.375	1.0	0.313	0.094	60
ML-1881	192405	2.875	3.375	1.0	0.313	0.094	123
ML-1912	192410	2.875	3.375	1.0	0.313	0.094	60
ML-2800	191986	4.125	5.0	1.625	0.438	0.094	120
ML-2801	192415	5.0	6.0	1.625	0.438	0.094	108
ML-3976	192435	2.875	3.375	1.0	0.313	0.094	60

Dimensions are in inches.



Part Number	Dim. Across Flats (G)	Overall Length (E)	Shank Length (F)	Thread Size	Material
H705410	0.3125	1.4375	1.1875	1/4-20	Plated steel
H705155	0.4375	2.23438	1.98675	3/8-16	Plated steel

