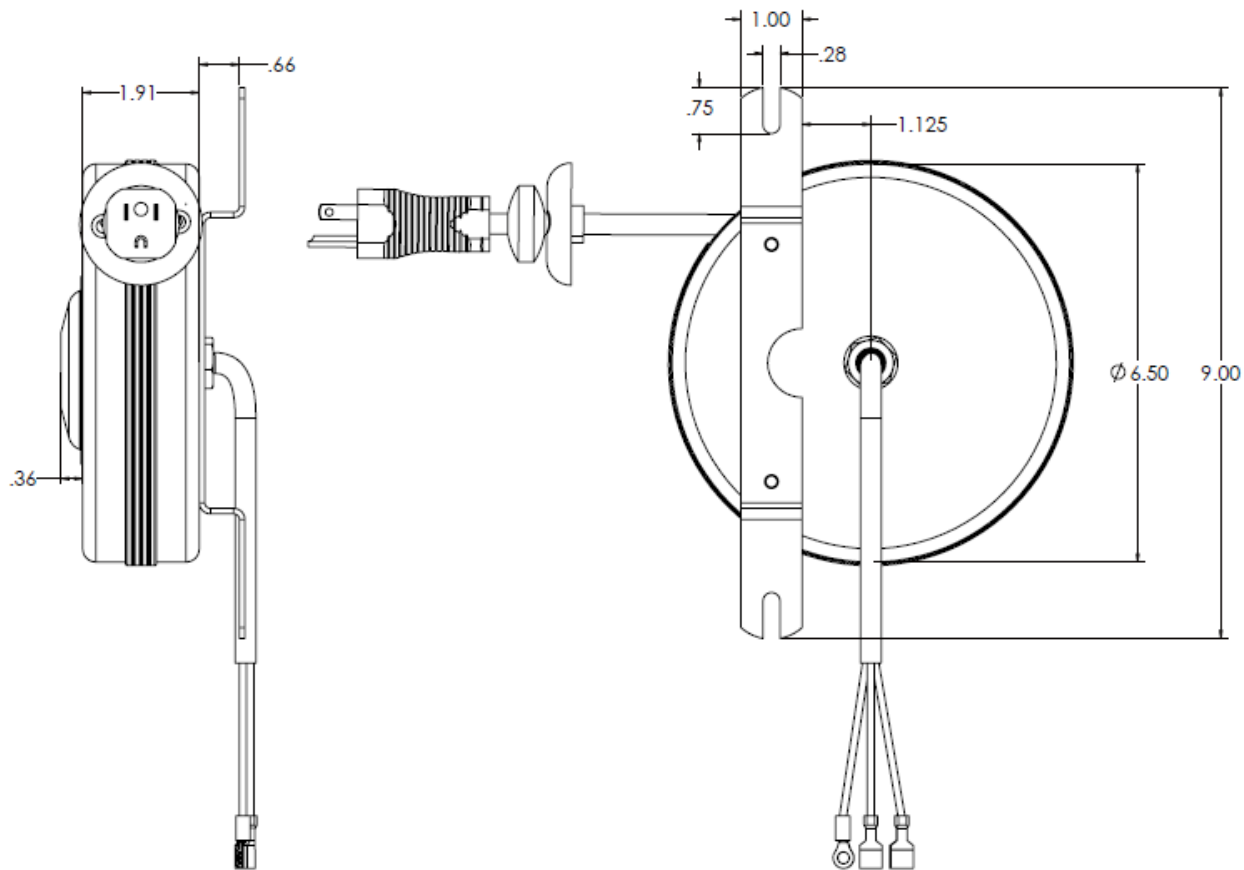




| | |
|--------------------|--|
| PART NUMBER | D200463-1 |
| SPEC NUMBER | 192826 |
| DESCRIPTION | Medical Cable Reel, 6.5" Case, GE Replacement |



| | RETRACTABLE CORD | FIXED PIGTAIL |
|-------------------------------|---------------------------------------|----------------------|
| TYPE | 16/3 SJT | 16/3 SJT |
| LENGTH | 10 feet | 18 inches |
| TERMINATION | NEMA 5-15 Male, Hospital Grade | Terminals |
| COLOR | Gray | Black or Gray |
| BALL STOP | Black rubber ball stop | n/a |
| HOUSING | | |
| SIZE | 6.5" Housing | |
| COLOR | Red | |
| MOUNTING | Off-Center Bracket | |
| RATING & APPROVALS | 10A, 125V, UL355, CSA | |

DRAWING FOR REFERENCE ONLY