

Base-mounted Reels

SPRING: Type 301 stainless steel SPIR'ATOR spring

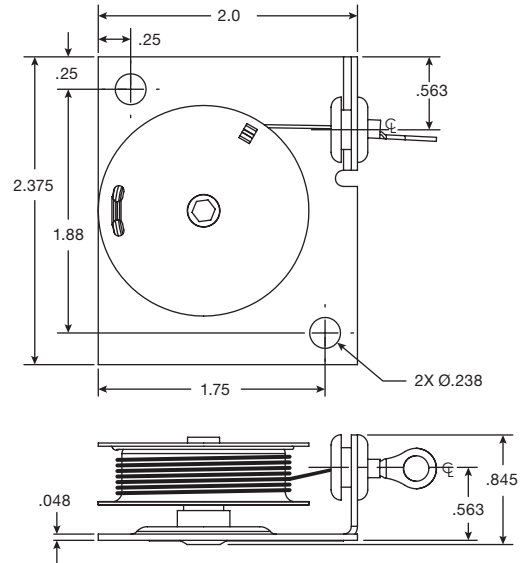
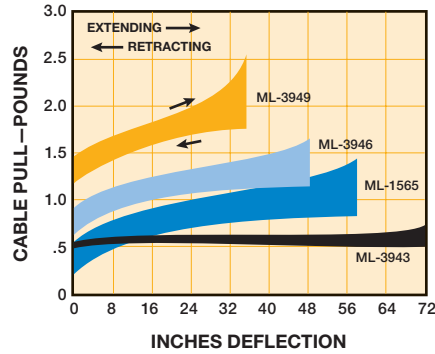
CABLE: .024" diameter 7x3 stainless steel

BASE: Steel, zinc coated

DRUM: stainless steel

Part Number	Spec Number	Length
ML-3949	192430	42"
ML-3946	192425	52"
ML-3943	192420	84"
ML-1565*	191606	64"

* Nylon coated cable to .034" diameter.



Plastic Spring-powered Reels

The ML-4575 series utilizes the SPIR'ATOR prestressed power spring. The closed case construction makes the spring unit tamper-proof when mounted.

Ring terminal provides customer the ability to secure cables with Velcro®, tie wraps, zip ties, etc. for many cable management applications.

FEATURES

- Compact
- Lightweight
- Stainless steel cable
- Cable available either coated to .024" or uncoated to .018"
- Custom terminations available

Part Number	Spec Number	Cable Length	Force
ML-4575-1	190515	42" (coated)	2.0 lb
ML-4575-2	190520	52" (coated)	1.5 lb
ML-4575-3	190525	64" (coated)	1.0 lb
ML-4575-4	190530	84" (coated)	0.5 lb
ML-4575-5	198266	27" (coated)	3.0 lb
ML-4575-10	198367	42" (uncoated)	2.0 lb
ML-4575-11	198368	52" (uncoated)	1.5 lb
ML-4575-12	198369	64" (uncoated)	1.0 lb
ML-4575-13	198370	84" (uncoated)	0.5 lb

