

# Light-duty and heavy-duty retractable static grounding reels



## ROTA-REEL® GROUNDING REELS

AMETEK Hunter Spring has been a leading manufacturer of static grounding reels for industrial and military applications for over 50 years. As a supplier to many customers in the refueling industry, we meet exacting specifications in critical applications with our legacy steel reels. Our newly designed stainless steel reels offer enhanced protection for harsh and special applications. Contact our Sales Department to discuss your application today!

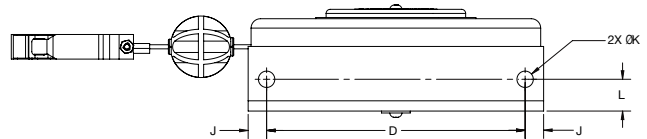
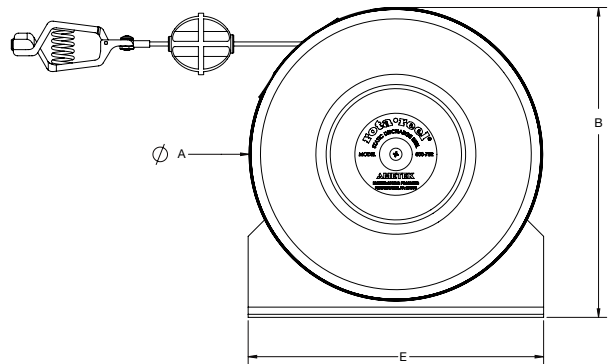
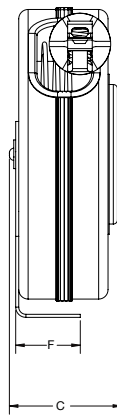
The Hunter Spring Rota-Reel® static grounding reels offer a compact and lightweight solution for your grounding needs. With automatic retraction, pawl and ratchet locking mechanism and weather resistant finish, the Rota-Reel grounding reel is the solution you need!



- 20', 50', 75' or 100' cable length
- 3/32" dia, 7 x 7 galvanized steel cable meeting MIL-DTL-83420
- Solid copper 21C jaw clip connection
- Red powder coated steel housing
- Life cycle tested to 5,000 cycles

Model	Cable Length
200-20R	20 ft
700-50R	50 ft
800-75R	75 ft
800-100R	100 ft

800-75R and 800-100R



Model	A	B	C	D	E	F	G	H	J	K	L
200-20R	SEE NEXT PAGE										
700-50R	SEE NEXT PAGE										
800-75R	9	9.4	3.4	7.875	9	2	-	-	0.56	0.5	1.0
800-100R	9	9.4	3.4	7.875	9	2	-	-	0.56	0.5	1.0

All dimensions are in inches and for reference only. Specifications subject to change without notice.

# ROTA-REEL®ST

Introducing the new Rota-Reel®ST. With 304 stainless steel housing, cable and hardware, this grounding device provides superior durability and corrosion resistance. With no paint coating to flake or wear, these are a great solution for clean environments such as food and pharmaceutical processing. These new reels are also ideal for marine, chemical and combustible dust applications.

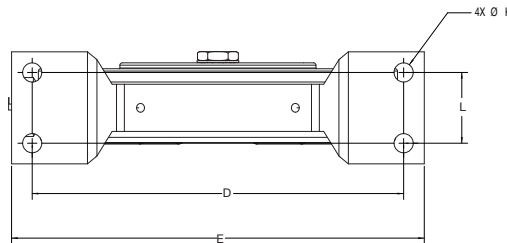
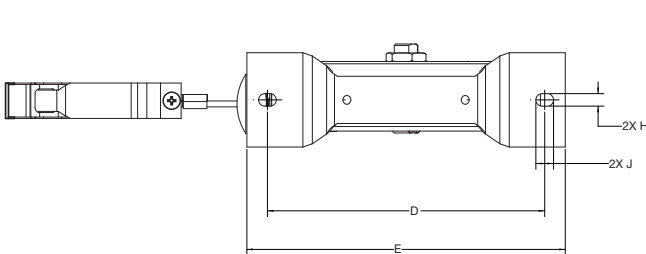
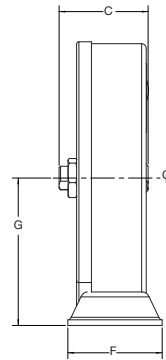
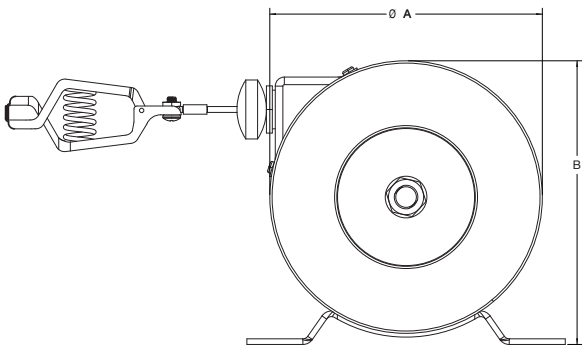


- 304 stainless steel exterior (low-sparking)
- No coatings to flake or wear

- Excellent corrosion resistance for chemical and outdoor use
- Cables available in stainless or Hytrel coated stainless
- 20' or 50' extension
- Multiple grounding terminations available

Model	Cable Length
200-20R-ST	20 ft
700-50R-ST	50 ft

200-20R and 700-50R



These connectors are available for all Hunter Spring grounding reels. Large clamp shown is non-sparking aluminum.

Model	A	B	C	D	E	F	G	H	J	K	L
200-20R 200-20R-ST	5.78	6.03	1.89	5.88	6.75	2	3.13	0.27	0.38	-	-
700-50R 700-50R-ST	7.84	8	2.13	7.88	8.75	2.38	4.19	-	-	0.41	1.5

All dimensions are in inches and for reference only. Specifications subject to change without notice.

# ML2930 and ML3416 SERIES HEAVY DUTY GROUNDING REELS

AMETEK Hunter Spring's ML2930 and ML3416 Series grounding reels are the solution to your grounding needs in extreme environmental conditions. With operating temps of -65° to 125° F, steel components and cantilever type frame, the reels are heavy duty and easy to mount to vehicles. A latching mechanism holds the cable at the desired length. With a slight pull to release, the cable will retract at 2-7 feet/second. Multiple configurations are available to meet every application!

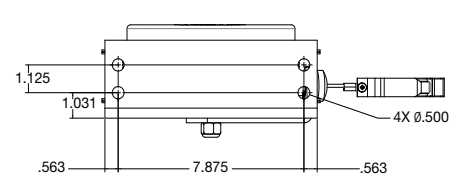
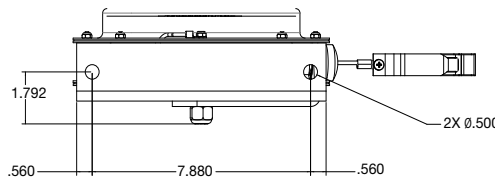
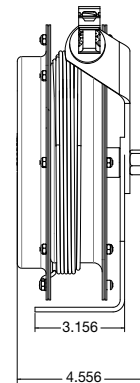
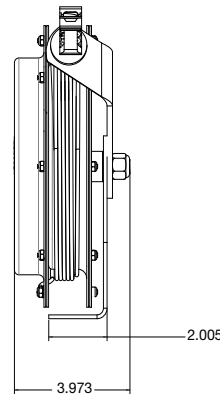
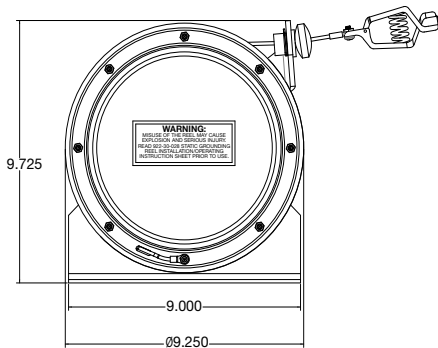


- 50', 75' or 100' cable length
- SST, galvanized steel, yellow or orange Hytre<sup>®</sup> coated cable
- Copper clip, SST clip, aluminum gator clamp, or aircraft plug and cap terminations
- 10 ohms max between clamp and mounting base
- Life cycle tested to 5,000 cycles

Model	Cable Length
ML2930	50 ft or 75 ft
ML3416	100ft

**ML2930 Series**

**ML3416 Series**



Due to the wide range of applications our products can be used in, AMETEK Hunter Spring cannot guarantee the accuracy of information or suitability of our product in any given situation due to factors beyond our control. Users of our products should perform their own tests to determine the suitability of the product for their particular purpose. Statements concerning the possible use of our products are not intended as recommendations to use our products in the infringement of any patent. Specifications subject to change without notice.

**ISO 9001** REGISTERED MANUFACTURER

**AMETEK<sup>®</sup>**  
HUNTER SPRING PRODUCTS

820 Pennsylvania Blvd. • Feasterville, PA 19053  
TEL: 215-355-6900 • FAX: 215-354-1801

[www.ametekhunterspring.com](http://www.ametekhunterspring.com)

