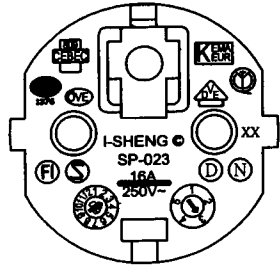
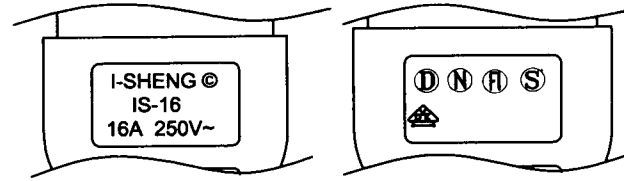


MARKING:

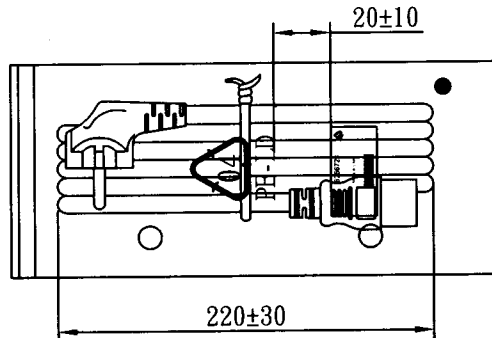
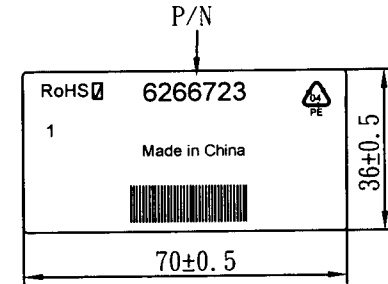
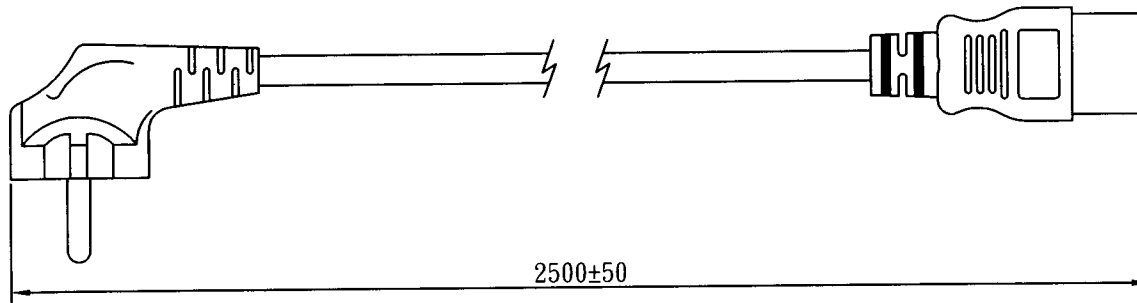
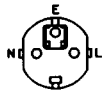


MARKING:



No	BOM ITEM	Q' TY	P/N
1	SP-023 INSERT(BLACK)	1 PCS	MB023012
2	PVC 45P (SA87, SP-023)	45 g	RPP04512
3	98739PS-0 BLADE	3 pcs	BBP98739
4	IS-16 INNER BODY(YM-C19)	1 pcs	MI016S12
5	PVC 45P (SA87, IS-16)	30 g	RPP04512
6	PE TIE (BLACK, 8 inch)	1 pcs	KBB10008
7	PE BAG (290*140)	1 pcs	KPR14000
8	LABLE	1 pcs	

NOTE : 1. CORD : EAN-128C  
2 : SCAN CONTENT : 6266723



WIRING COLOR:

E: Yellow/Green  
N: Blue  
L: Brown

LENGED ON CORD: (206-14)

I-SHENG SGIS <VDE> KEMA-KEUR <VE> △ CEBEC 809 NF-USE 1346 IEMMEQU H05VV-F 3G 1.5mm<sup>2</sup> 60227 IEC 53 RVV 300/500V A003083 3ASL/150 4V-75 V-75 (75°C) 250/440V ORDINARY DUTY Q96257 -LF- CE

CABLE	H05VV-F 3G 1.5 DENT PRINT CT-12 (BLACK)				
PLUG	SP-023 + IS-16	LENGTH	2500	UNIT	mm
CLIENT	NAME	First Connectivity	N/W	0.384809	UNIT kg
	P/N	6266723	SG DWG	SR-142461-7	VER. A
I-SHENG	I-SHENG (SONG GANG) MFG FACTORY 松崗鎰勝制品廠			Design. by	楊望春 9/26/06
				Review. by	
				Approval. by	楊望春 9/26/06
Y36 6E3016 12 250 01					