



On when  
it counts.



### Application

- Main power indication
- Remote power indication
- Status indication
- Maintenance and warning indication
- Instrumentation
- ...and many more!

### Certifications & Ratings

- RoHS compliant
- NEMA 4X
- IP66

### Features & Benefits

- Low power consumption - uses up to 90% less energy than an incandescent indicator
- No heat generated
- Long life, lasting up to 100K hours
- Colors include red, green, yellow, and blue
- Front panel mounting
- LED can be recessed, protrude, and internal from housing

### Mechanical Information:

- Mounting hole size:** 0.368" (9.35mm)
- Max panel thickness:** 0.378" (9.50mm)  
with gasket - 0.318" (8.0mm)
- Mounting torque:** 0.362 lbs/ft (5 kg/cm)

### Electrical Specifications:

- Operating voltage:** 6, 12 & 24 VDC (no resistor required)
- Operating temperature:** -4°F to +167°F (-20°C to +75°C)
- Storage temperature:** -40°F to +212°F (-40°C to +100°C)
- Electrical connection:** Solder terminals and wire leads

### Construction:

- Housing:** Chrome or black plated brass (see ordering note on back)

All values typical unless otherwise stated

Panel Mount Indicator Dimensions

Figure 1

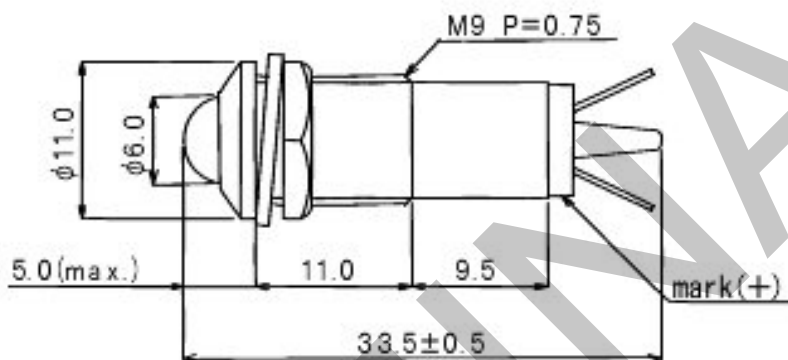
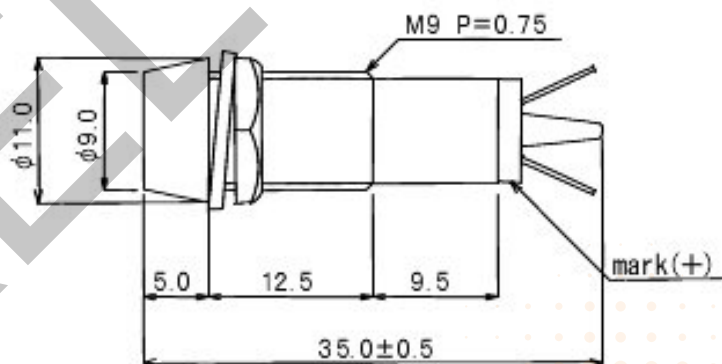


Figure 2



Dimensions are in mm

Part Number	Color	Voltage (VDC)	Current (mA)	Typical Intensity (mcd)	Plating Finish	LED Position	Figure
679-1112-321F	RED	6	30	485	CHROME	PROTRUDING	1
679-1212-322F	GREEN	6	30	5870	CHROME	PROTRUDING	1
679-1312-323F	YELLOW	6	30	1570	CHROME	PROTRUDING	1
679-1412-324F	BLUE	6	30	215	CHROME	PROTRUDING	1
679-1112-331F	RED	12	30	485	CHROME	PROTRUDING	1
679-1212-332F	GREEN	12	30	5870	CHROME	PROTRUDING	1
679-1312-333F	YELLOW	12	30	1570	CHROME	PROTRUDING	1
679-1412-334F	BLUE	12	30	215	CHROME	PROTRUDING	1
679-1112-341F	RED	24	30	485	CHROME	PROTRUDING	1
679-1212-342F	GREEN	24	30	5870	CHROME	PROTRUDING	1
679-1312-343F	YELLOW	24	30	1570	CHROME	PROTRUDING	1
679-1412-344F	BLUE	24	30	215	CHROME	PROTRUDING	1
679-1122-321F	RED	6	30	485	BLACK	PROTRUDING	1
679-1222-322F	GREEN	6	30	5870	BLACK	PROTRUDING	1
679-1322-323F	YELLOW	6	30	1570	BLACK	PROTRUDING	1
679-1422-324F	BLUE	6	30	215	BLACK	PROTRUDING	1
679-1122-331F	RED	12	30	485	BLACK	PROTRUDING	1
679-1222-332F	GREEN	12	30	5870	BLACK	PROTRUDING	1
679-1322-333F	YELLOW	12	30	1570	BLACK	PROTRUDING	1
679-1422-334F	BLUE	12	30	215	BLACK	PROTRUDING	1
679-1122-341F	RED	24	30	485	BLACK	PROTRUDING	1
679-1222-342F	GREEN	24	30	5870	BLACK	PROTRUDING	1
679-1322-343F	YELLOW	24	30	1570	BLACK	PROTRUDING	1
679-1422-344F	BLUE	24	30	215	BLACK	PROTRUDING	1
679-2112-321F	RED	6	30	775	CHROME	RECESSED	2
679-2212-322F	GREEN	6	30	5870	CHROME	RECESSED	2
679-2312-323F	YELLOW	6	30	1570	CHROME	RECESSED	2
679-2412-324F	BLUE	6	30	270	CHROME	RECESSED	2
679-2112-331F	RED	12	30	775	CHROME	RECESSED	2
679-2212-332F	GREEN	12	30	5870	CHROME	RECESSED	2
679-2312-333F	YELLOW	12	30	1570	CHROME	RECESSED	2
679-2412-334F	BLUE	12	30	270	CHROME	RECESSED	2
679-2112-341F	RED	24	30	775	CHROME	RECESSED	2
679-2212-342F	GREEN	24	30	5870	CHROME	RECESSED	2
679-2312-343F	YELLOW	24	30	1570	CHROME	RECESSED	2
679-2412-344F	BLUE	24	30	270	CHROME	RECESSED	2
679-2122-321F	RED	6	30	775	BLACK	RECESSED	2
679-2222-322F	GREEN	6	30	5870	BLACK	RECESSED	2
679-2322-323F	YELLOW	6	30	1570	BLACK	RECESSED	2
679-2422-324F	BLUE	6	30	270	BLACK	RECESSED	2
679-2122-331F	RED	12	30	775	BLACK	RECESSED	2
679-2222-332F	GREEN	12	30	5870	BLACK	RECESSED	2
679-2322-333F	YELLOW	12	30	1570	BLACK	RECESSED	2
679-2422-334F	BLUE	12	30	270	BLACK	RECESSED	2
679-2122-341F	RED	24	30	775	BLACK	RECESSED	2
679-2222-342F	GREEN	24	30	5870	BLACK	RECESSED	2
679-2322-343F	YELLOW	24	30	1570	BLACK	RECESSED	2
679-2422-344F	BLUE	24	30	270	BLACK	RECESSED	2

\*For wire leads replace the 7th digit with "5". For example 679-1115-321F

Dialight reserves the right to make changes at any time in order to supply the best product possible. The most current version of this document will always be available at: [www.dialight.com/Assets/Brochures\\_And\\_Catalogs/Illumination/MDEL679CR.pdf](http://www.dialight.com/Assets/Brochures_And_Catalogs/Illumination/MDEL679CR.pdf).

Warranty Statement: EXCEPT FOR THE WARRANTY EXPRESSLY PROVIDED FOR [HEREIN/ABOVE/BELOW], DIALIGHT DISCLAIMS ANY AND ALL OTHER WARRANTIES, EXPRESS OR IMPLIED, INCLUDING, WITHOUT LIMITATION, ANY WARRANTIES OF MERCHANTABILITY, FITNESS FOR A PARTICULAR PURPOSE, TITLE, AND NON-INFRINGEMENT.