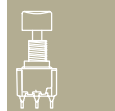


# APB Series Backlit Pushbutton Switch



A

Pushbutton

## Features/Benefits

- IP67 sealed
- 1,000,000 life cycle
- Illumination
- Threaded or snap-in mounting
- RoHS compliant

## Typical Applications

- Harsh environments
- Off-Road
- Industrial
- Medical
- Transportation
- Joystick control modules
- Gaming
- Military



## Specifications

FUNCTION: SPST Momentary  
CONTACT ARRANGEMENT: N.O.  
MOUNTING TYPE:  
Snap-in (no panel seal)  
Threaded body (hex nut, lock washer, and panel seal gasket provided)  
Torque spec for threaded body: Do not exceed 8-9 in-lbs (0.9-1.0 N.m)

## Mechanical

OPERATING LIFE: 1,000,000 cycles  
TOTAL TRAVEL: 2.1 ± 0.2 mm  
OPERATING POINT 1.55 ± 0.25 mm  
OVER TRAVEL: 0.6 min.  
OPERATING FORCE: 4N ± 1N standard configuration; other force option 2N ± 0.5N  
VIBRATION: 10-500 Hz 10g Max  
SHOCK: 60g 11ms sawtooth wave

## Electrical

CONTACT RATING:  
200mA @ 24 V DC resistive (500,000 cycles)  
100mA @ 50 V DC resistive (500,000 cycles)  
400mA @ 32 V AC resistive (500,000 cycles)  
125mA @ 125 V AC resistive (1,000,000 cycles)  
DIELECTRIC STRENGTH: 1000 V AC min.  
INSULATION RESISTANCE: 1 G Ω @ 500 VDC  
INITIAL CONTACT RESISTANCE 50 mΩ max (without wire leads)  
BOUNCE TIME: <5 ms

## Materials

HOUSING: PBT  
BASE: PBT  
CAP: Painted polycarbonate  
ACTUATOR:  
Illuminated: Clear polycarbonate  
INTERNAL SEAL: Silicone rubber  
TERMINALS: Copper alloy, gold over silver plating  
MOVABLE CONTACT: Copper alloy, gold over silver plating  
TERMINAL SEAL: Epoxy  
WIRE LEADS: UL1569 Black 22 AWG

## Operating Environment

OPERATING TEMPERATURE: -40°C to 85°C  
ESD PROTECTION: 20 KV min.

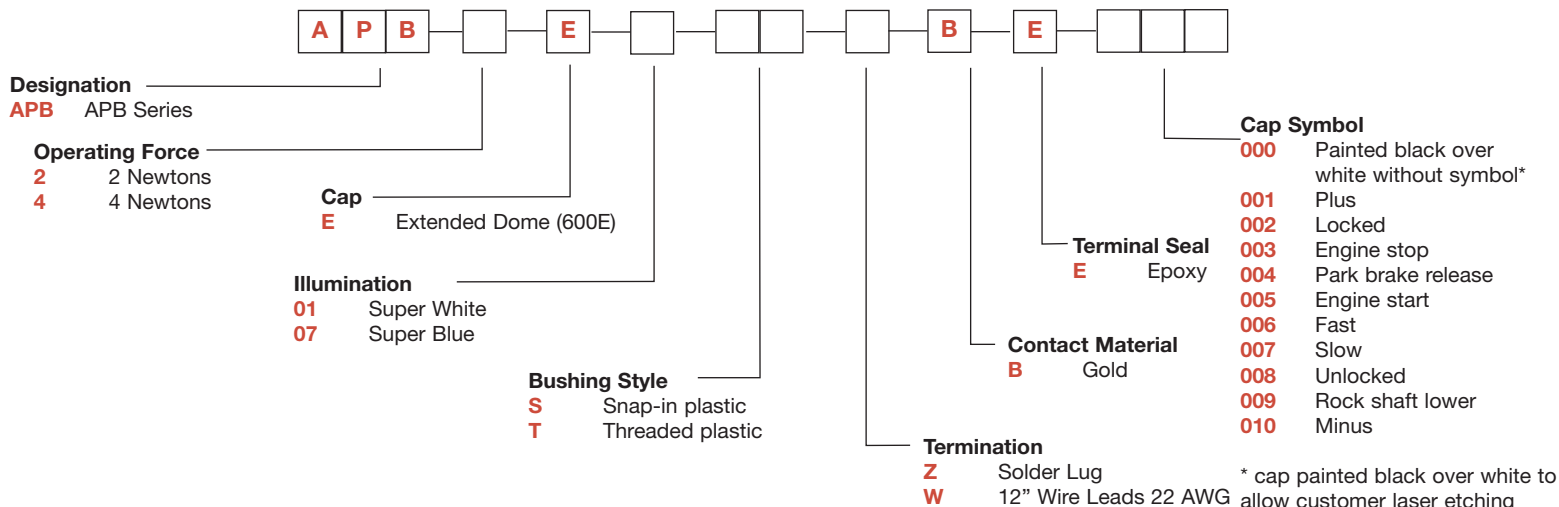
## Process Environment

SEALING: IP67 for threaded body  
IP65 for snap-in version (no panel seal)

**NOTE:** Specifications and materials listed above are for switches with standard options. For information on specific and custom switches, please contact Customer Service.

## Build-A-Switch

To order, simply select desired option from each category and place in the appropriate box.



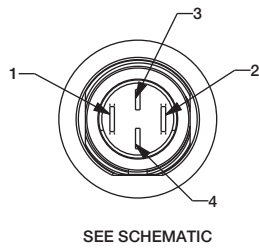
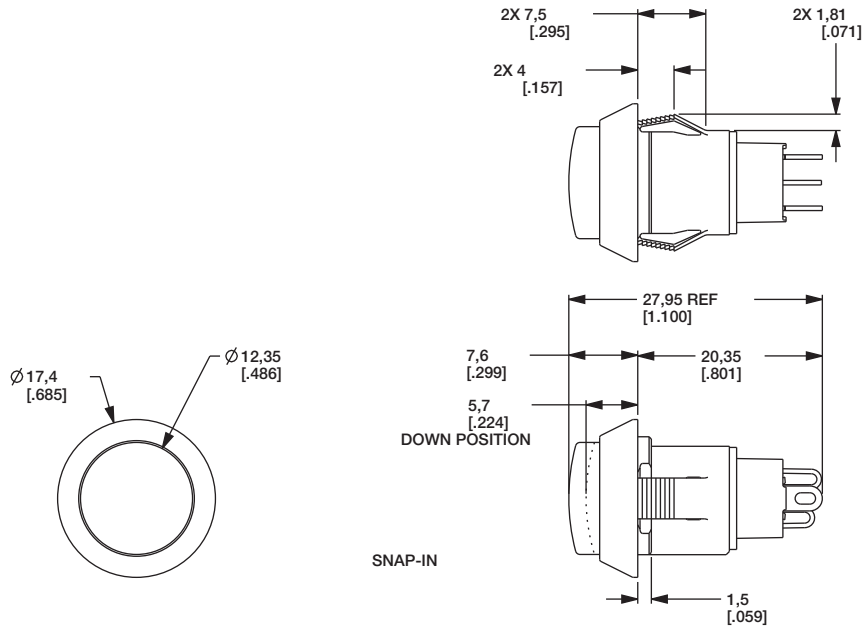
Dimensions are shown: mm (inches)  
Specifications and dimensions subject to change



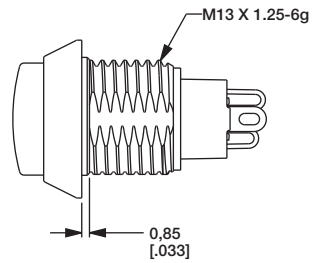
# APB Series Backlit Pushbutton Switch

A

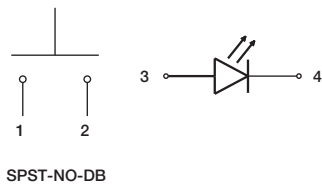
Pushbutton



THREADED

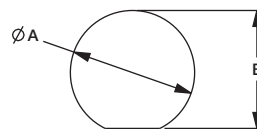


ELECTRICAL SCHEMATIC



SPST-NO-DB

PANEL CUTOUT



PANEL THICKNESS	DIM A (±0.05 MM)	DIM B (±0.05 MM)
1 MM [0.039 IN]	13.70 MM [0.539 IN]	13.00 MM [0.512 IN]
2 MM [0.079 IN]	13.80 MM [0.539 IN]	13.00 MM [0.512 IN]
3 MM [0.118 IN]	13.90 MM [0.547 IN]	13.10 MM [0.516 IN]
THREADED BODY MIN PANEL THICKNESS 1 MM	13.70 MM [0.539 IN]	13.00 MM [0.512 IN]

A 0.1 MM MIN CHAMFER ON THE LEADING EDGE OF MOUNTING HOLE IS RECOMMENDED FOR SNAP-IN VERSION.

# APB Series Backlit Pushbutton Switch

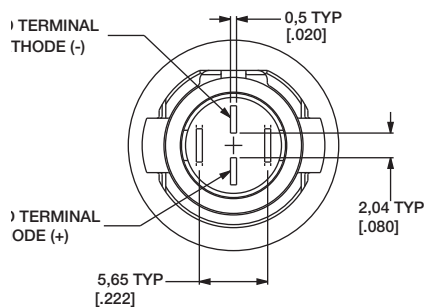
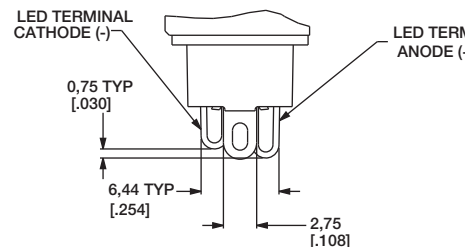
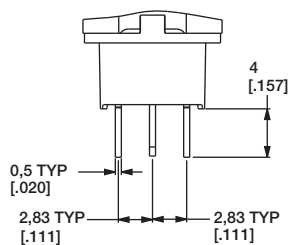
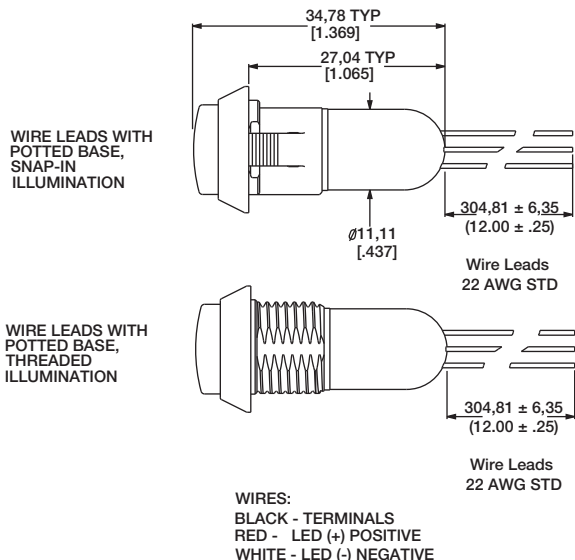


A

Pushbutton

**W** 12" WIRE LEADS

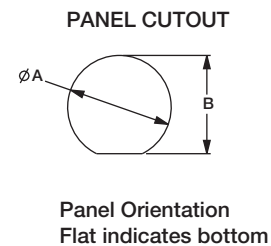
**Z** SOLDER LUG



## CAP SYMBOLS

	-000		NO SYMBOL
	-001		PLUS
	-002		LOCKED
	-003		ENGINE STOP
	-004		PARK BRAKE RELEASE
	-005		ENGINE START

	-006		FAST
	-007		SLOW
	-008		UNLOCKED
	-009		ROCK SHAFT LOWER
	-010		MINUS



NOTES:  
1. ALL GRAPHICS MUST BE POSITIONED AS SHOWN, PERPENDICULAR TO ALIGNMENT FEATURE ON UNDERSIDE OF CAP.  
2. GRAPHIC MARKING MUST BE ALIGNED WITH THE FLAT FEATURE ON THE UNDERSIDE OF THE CAP AS SHOWN, TOLERANCE ±0.3°



Dimensions are shown: mm (inches)  
Specifications and dimensions subject to change

www.ck-components.com