



## 2-Piece Fixing Ties for Heavy Duty Applications, for Screws

- HDM6-Series for M6-Screws
- HDM8-Series for M8-Screws

### Features and Benefits

These duty mounts, when used with a cable tie, eliminates the need to carry multiple sizes of fixed bundle diameter clamps.

Sturdy and easy to use, these duty mounts, with optimised design, can be either assembled directly on harnesses or on production line.

These products are a very good alternative to parts which are usually in metal or stainless steel.

Available in PA66 heat-stabilised or in PA46, they are suitable to various temperature grades.

Designed in order to meet the hard constraints in the automotive industry, these duty mounts assembled on harness are well adapted to vibration, dynamic and sliding strength forces. The tightening torque is assured by metallic inserts.

Their "H" design allows an excellent contact with harnesses or other tubes and hoses.

Mainly adapted to T120R and T120S cable ties, but can also be assembled with smallest sizes.

### Application

Used in the Automotive and Truck Industry for harness fixing in the engine body, these parts offer solutions in many other industrial applications with difficult environment.

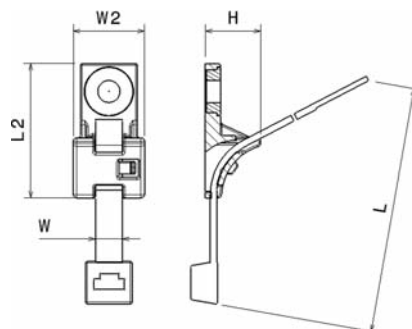


These HDM can be assembled on either screw or stud.

Material Data	
Material	<b>Polyamide 4.6 (PA46)</b>
Operating Temperature	<b>-40 °C to +150 °C for 5000 h, (+195 °C for 500 h)</b>
Flammability	<b>UL94 V2</b>



Material Data	
Material	<b>Polyamide 6.6 High Imp. Mod., Heat Stab. (PA66HIRHS)</b>
Operating Temperature	<b>-40 °C to +105 °C</b>
Flammability	<b>UL94 HB</b>



HDM with cable tie (L = length of the tie' flat')

Technical Table										
Article-No.	Type	Length (L)	Length (L2)	Width (W)	Width (W2)	Height (H)	Bundle Ø max.	Mounting Screw Type	Material	Colour
156-00406	<b>T120RHDM6</b>	380	38	7.6	20.0	15.5	100	M6	PA66HIRHS	Black (BK)
156-00407	<b>T120RHDM6</b>	380	38	7.6	20.0	15.5	100	M6	PA46	Grey (GY)
156-00408	<b>T120RHDM8</b>	380	38	7.6	20.0	15.5	100	M8	PA66HIRHS	Black (BK)
156-00409	<b>T120RHDM8</b>	380	38	7.6	20.0	15.5	100	M8	PA46	Grey (GY)

All dimensions in mm. Subject to technical changes.