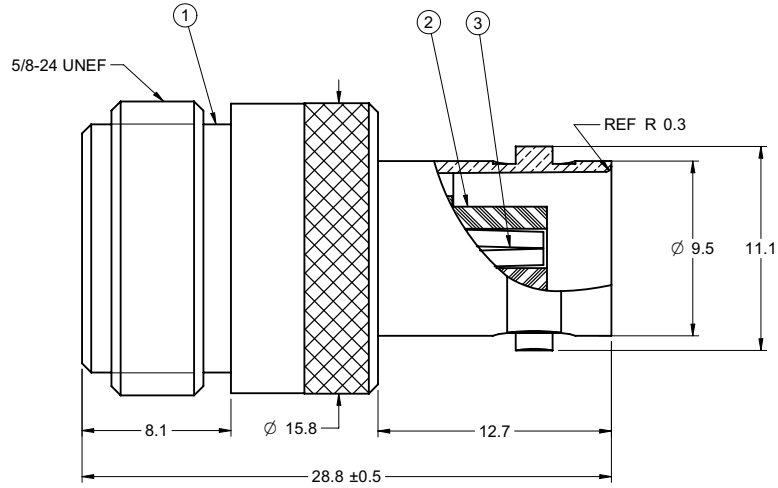
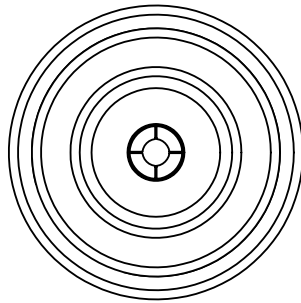


PART NUMBER	ITEM ① BODY	ITEM ② INSULATOR	ITEM ③ CONTACT
26-8018	BRASS NICKEL PLATED	DELTRIN	BERYLLIUM NICKEL PLATED

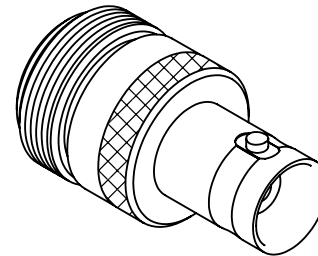
受控 CONTROLLED DOCUMENT			
编号 P/N	26-8018	版本 Rev	0B
日期 Rel'd Date	Mar 24, 08		

DRAWING NO. 26-8018	
REVISIONS	
RELEASE FOR QUOTATION	
A	03-10-06
CHANGE SOME TOLERANCE. ADD 4&5 NOTES.	
B	12-25-06



NOTES:

- ELECTRICAL SPECIFICATIONS
 IMPEDANCE: 50 OHMS NOMINAL
 FREQUENCY RANGE: 0-4 GHz
 WORKING VOLTAGE: 500 Vrms MAX AT SEA LEVEL
 DIECTRIC WITHSTANDING VOTALGE: 1500 vrms AT SEA LEVEL
 CORONA LEVEL: 375 VOLTS MINIMUM AT 70,000 FEET
 CONTACT RESISTANCE: OUTER-0.2 MILLIOHMS MAXIMUM
 CENTER-2.1 MILLIOHMS MAXIMUM
 INSULATION RESISTANCE: 5000 MEGOHMS MINIMUM
- MECHANICAL SPECIFICATIONS
 DURABILITY: 500 CYCLES MIN
 FORCE TO ENGAGE/DISENGAGE: 3 LBS MAX
- ENVIRONMENTAL SPECIFICATIONS
 RECOMMENDED TEMPERATURE RANGE: -55 °C TO +85°C
 MOISTURE RESISTANCE: MIL-STD-202
- PRODUCT SHOULD BE RoHS COMPLIANCE.
- PACKAGING REQUIREMENT FOLLOWS ENGINEERING DOCUMENT P/N 836-40200001XX.



THIS DRAWING TO BE INTERPRETED
PER ANSI Y 14.5M - 1994

COMPANY CONFIDENTIAL

TOLERANCE UNLESS OTHERWISE SPECIFIED		DRAWN BY LINDA.WU	DATE 12-25-06
DECIMALS	mm	CHECKED BY BETTY.YU	DATE 12-25-06
X	± 0.5	APPROVED BY THOMAS	DATE 12-25-06
X.X	± 0.2	U/M	mm
X.XX	± 0.1		
ANGLES	± 0.5°		

EMERSON Network Power		Connectivity Solutions	
TITLE ADAPTER,BNC JACK TO N JACK			
SHEET 1 OF 1	DRAWING NO. 26-8018	SIZE C	

THIS DRAWING WAS PRODUCED BY COMPUTER,
DO NOT SCALE DRAWING OR UPDATE MANUALLY.