

Signal conditioner - MCR-C-UI-UI-DCI-NC - 2810939

Please be informed that the data shown in this PDF Document is generated from our Online Catalog. Please find the complete data in the user's documentation. Our General Terms of Use for Downloads are valid (<http://phoenixcontact.com/download>)




MCR 3-way signal conditioner, with configurable input/output, for electrical isolation of analog signals, not configured

The illustration shows version MCR-C-UI-UI-DCI



Key Commercial Data

Packing unit	1 pc
GTIN	 4 017918 118303
Weight per Piece (excluding packing)	140.0 g
Custom tariff number	85437090
Country of origin	Germany

Technical data

Note

Utilization restriction	EMC: class A product, see manufacturer's declaration in the download area
-------------------------	---

Dimensions

Width	17.5 mm
Height	99 mm
Depth	114.5 mm

Ambient conditions

Ambient temperature (operation)	-20 °C ... 65 °C
Degree of protection	IP20

Input data

Configurable/programmable	Yes, standard configuration IN 0 ... 10 V, OUT 0 ... 10 V
Voltage input signal	0 V ... 10 V (please indicate if different setting when ordering)
Max. input voltage	30 V

Signal conditioner - MCR-C-UI-UI-DCI-NC - 2810939

Technical data

Input data

Max. input current	50 mA
Input resistance of voltage input	1 MΩ
Input resistance current input	50 Ω

Output data

Configurable/programmable	Yes, unconfigured
Voltage output signal	0 V ... 10 V (please indicate if different setting when ordering)
Max. output voltage	15 V
Max. output current	30 mA
Load/output load voltage output	≥ 10 kΩ
Load/output load current output	≤ 500 Ω

Power supply

Supply voltage range	18 V DC ... 30 V DC
Max. current consumption	< 30 mA (without load)

Connection data

Connection method	Pluggable screw connection
Conductor cross section solid min.	0.2 mm ²
Conductor cross section solid max.	2.5 mm ²
Conductor cross section AWG min.	24
Conductor cross section AWG max.	14
Conductor cross section flexible min.	0.2 mm ²
Conductor cross section flexible max.	2.5 mm ²
Stripping length	8 mm
Screw thread	M3

General

No. of channels	1
Maximum transmission error	≤ 0.1 % (of final value)
Maximum temperature coefficient	0.0075 %/K
Limit frequency (3 dB)	30 Hz
Alignment zero	± 2 %
Alignment span	± 2 %
Step response (10-90%)	11 ms
Protective circuit	Transient protection
Test voltage input/output	1.5 kV (50 Hz, 1 min.)
Test voltage power supply/signal	1 kV (50 Hz, 1 min.)
Electromagnetic compatibility	Conformance with EMC directive
Noise emission	EN 61000-6-4
Noise immunity	EN 61000-6-2
Color	green
Housing material	Polyamide PA non-reinforced

Signal conditioner - MCR-C-UI-UI-DCI-NC - 2810939

Technical data

General

Mounting position	any
Conformance	CE-compliant
UL, USA / Canada	UL 508 Recognized
	Class I, Div. 2, Groups A, B, C, D
	Class I, Zone 2, Group IIC

Standards and Regulations

Electromagnetic compatibility	Conformance with EMC directive
Noise emission	EN 61000-6-4
Noise immunity	EN 61000-6-2
Connection in acc. with standard	CUL
Conformance	CE-compliant
UL, USA / Canada	UL 508 Recognized
	Class I, Div. 2, Groups A, B, C, D
	Class I, Zone 2, Group IIC

Classifications

eCl@ss

eCl@ss 4.0	27210120
eCl@ss 4.1	27210120
eCl@ss 5.0	27210120
eCl@ss 5.1	27210120
eCl@ss 6.0	27210120
eCl@ss 7.0	27210120
eCl@ss 8.0	27210120
eCl@ss 9.0	27210120

ETIM

ETIM 2.0	EC001485
ETIM 3.0	EC001485
ETIM 4.0	EC001485
ETIM 5.0	EC002653

UNSPSC

UNSPSC 6.01	30211506
UNSPSC 7.0901	39121008
UNSPSC 11	39121008
UNSPSC 12.01	39121008
UNSPSC 13.2	39121008

Signal conditioner - MCR-C-UI-UI-DCI-NC - 2810939

Approvals

Approvals

Approvals

UL Recognized / cUL Recognized / EAC / cULus Recognized

Ex Approvals

UL Listed / cUL Listed / cULus Listed

Approvals submitted

Approval details

UL Recognized

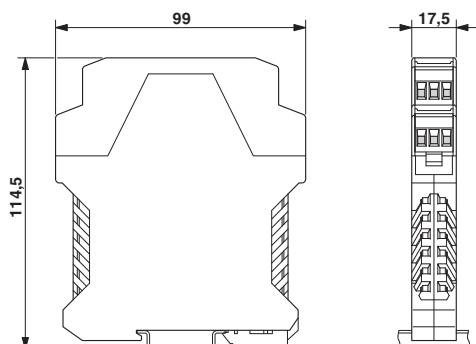
cUL Recognized

EAC

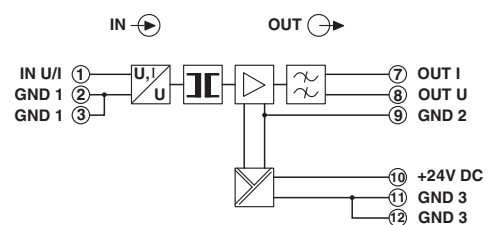
cULus Recognized

Drawings

Dimensional drawing

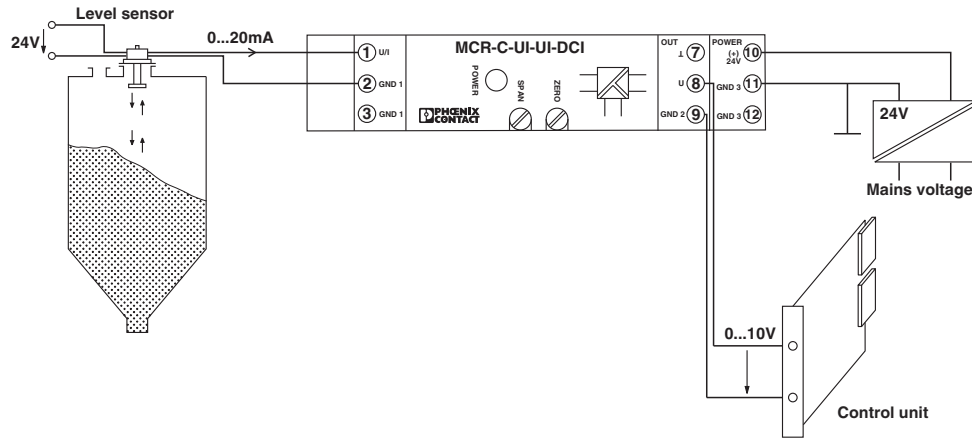


Circuit diagram



Signal conditioner - MCR-C-UI-UI-DCI-NC - 2810939

Application drawing



Application example: Level measurement