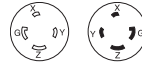


Industrial grade L15-30 locking devices

Project Name:	Prepared By:
Project Number:	Date:
Catalog Number:	Type:

Description

NEMA L15-30 30A, 3Ø 250V/AC, 3P-4W



L15-30R L15-30P



AHL1530P



AHL1530C



AHL1530R



AHL1530FO

Design features for plug & connector

- All nylon construction
- EPDM gasket seals cord hole from dust and debris
- Back wire terminal clamps for easy secure wiring
- Individual wiring compartments with tapered channel for easy insertion of wires
- Clear cover over wiring compartments allows easy inspection of wiring terminations
- Rating printed on side of device
- Largest-in-class grommet size allows for entire cord size range

Design features for receptacles

- Rugged glass filled nylon body
- Clearly marked rating, NEMA configuration and approval listings on receptacle face
- One piece brass contacts offer superior performance and minimum heat rise
- Back and side wiring terminal clamps for easy, secure wiring

Design features for flanged inlet & outlet

- All nylon construction
- Mounting holes interchangeable with competitive units
- Back wire terminal clamps for easy, secure wiring
- Individual wiring compartments with tapered channel for easy insertion of wires

Table 1. NEMA L15-30 Industrial Grade Locking Devices

Catalog No.	Description	Amps	Volts	Color
<input type="checkbox"/> AHL1530P	Ultra grip plug, 3-phase	30	250	Black & white
<input type="checkbox"/> AHL1530C	Ultra grip connector, 3-phase	30	250	Black & white
<input type="checkbox"/> AHL1530R	Single receptacle, 3-phase	30	250	Black
<input type="checkbox"/> AHIGL1530R	Single receptacle, isolated ground, 3-phase	30	250	Orange
<input type="checkbox"/> AHL1530FO	Flanged outlet, 3-phase	30	250	Black & white
<input type="checkbox"/> AHL1530FI	Flanged inlet, 3-phase	30	250	Black & white



Powering Business Worldwide

Project Name:	Prepared By:
Project Number:	Date:
Catalog Number:	Type:

Plug & Connector

NEMA L15-30 30A, 3Ø 250V/AC, 3P-4W

Table 2. Specifications

Catalog No.	NEMA L15-30 Plug & Connector
NEMA Config	NEMA L15-30
Wiring Type	Back wire
Environmental Specifications	Flammability: Meets UL94 requirements; V2 rated Temperature Rating: -40°C to 60°C (-40°F to 140°F)
Electrical Specifications	Dielectric Voltage: Twice the device rating + 1000V per UL498 Current Interrupting: Yes, at full-rated current Temperature Rise: Max. Max. 30°C (86°F) after 50 cycles of overload at 150% of rated current (DC)
Mechanical Specifications	Terminal Accommodation: #16 - #8 AWG Voltage Ratings: Permanently marked on device

Table 3. Materials

Catalog No.	NEMA L15-30 Plug & Connector
NEMA Config	NEMA L15-30
Outer Shell	Nylon
Interior Body	Nylon
Terminal Retainer	Polycarbonate
Blades	Brass
Line Contacts	Bronze, tin plated
Terminal Clamps	Steel, tin plated
Terminal Screws	#10-32 brass, zinc plated (neutral screw)
Ground Screw	#10-32 brass
Assembly Screws	Steel, nickel plated
Gasket/Dust Shield	EPDM
Cord Clamp Screws	Steel, nickel plated
Cord Clamp	Nylon

Product Dimensions

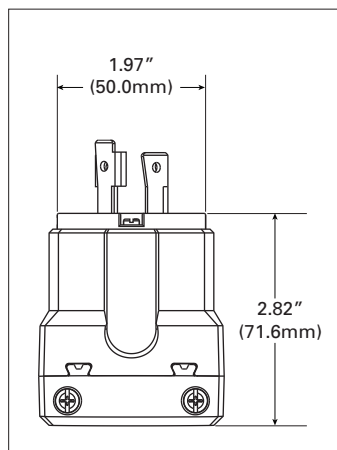


Figure 1. AHL1530P

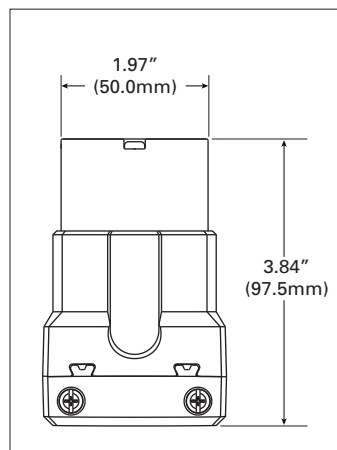


Figure 2. AHL1530C

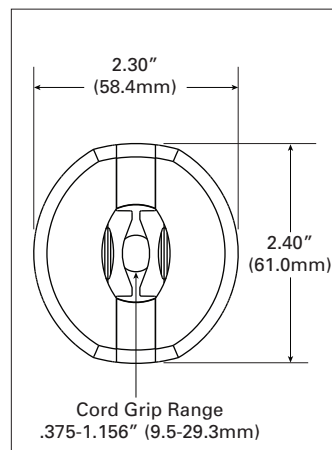


Figure 3. Base Angle

Compliances, specifications and availability are subject to change without notice.

Project Name:	Prepared By:
Project Number:	Date:
Catalog Number:	Type:

Single Receptacles

NEMA L15-30 30A, 3Ø 250V/AC, 3P-4W

Table 4. Specifications

Catalog No.	NEMA L15-30 Single Receptacle	NEMA L15-30 Isolated Ground Single Receptacle
NEMA Config	NEMA L15-30	NEMA L15-30
Wiring Type	Back & side wire	Back & side wire
Environmental Specifications	Flammability: Meets UL94 requirements; V0 rated Temperature Rating: -40°C to 60°C (-40°F to 140°F)	Flammability: Meets UL94 requirements; V0 rated Temperature Rating: -40°C to 70°C (-40°F to 158°F)
Electrical Specifications	Dielectric Voltage: ≤300V: 2000V, 301-600V: 3000V per UL498 Current Interrupting: Yes, at full-rated current Temperature Rise: Max. 30°C (86°F) after 250 cycles of overload @ 200% of rated current (DC)	Dielectric Voltage: ≤300V: 2000V, 301-600V: 3000V per UL498 Current Interrupting: Yes, at full-rated current Temperature Rise: Max. 30°C (86°F) after 50 cycles of overload @ 150% of rated current (DC)
Mechanical Specifications	Terminal Accommodation: #14 - #8 AWG Voltage Ratings: Permanently marked on device	Terminal Accommodation: #14 - #8 AWG Voltage Ratings: Permanently marked on device

Table 5. Materials

Catalog No.	NEMA L15-30 Single Receptacle	NEMA L15-30 Isolated Ground Single Receptacle
NEMA Config	NEMA L15-30	NEMA L15-30
Face	Glass-filled nylon	Glass-filled nylon
Base	Glass-filled nylon	Glass-filled nylon
Mounting Strap	0.050" thick steel, zinc plated	0.050" thick steel, zinc plated
Line Contacts	0.041" thick brass	0.041" thick brass
Terminal Screws	#10-32 brass, nickel plated (neutral screw)	#10-32 brass, nickel plated (neutral screw)
Ground Screw	#10-32 brass (green)	#10-32 brass (green)
Terminal Clamps/Plates	0.041" thick brass	0.041" thick brass
Ground Contacts	0.041" thick brass	0.041" thick brass
Back Plate	0.041" thick brass, nickel plated	0.041" thick brass, nickel plated
Mounting Screws	Steel, zinc plated	Steel, zinc plated

Product Dimensions

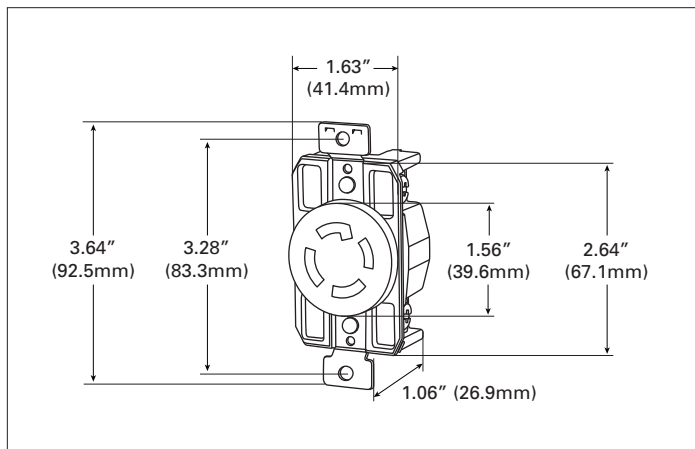


Figure 4. AHL1530R

Compliances, specifications and availability are subject to change without notice.

Project Name:	Prepared By:
Project Number:	Date:
Catalog Number:	Type:

Flanged Outlet & Inlet

NEMA L15-30 30A, 3Ø 250V/AC, 3P-4W

Table 6. Specifications

Catalog No.	NEMA L15-30 Flanged Outlet	NEMA L15-30 Flanged Inlet
NEMA Config	NEMA L15-30	NEMA L15-30
Wiring Type	Back wire	Back wire
Environmental Specifications	Flammability: Meets UL94 requirements; V2 rated Temperature Rating: -40°C to 60°C (-40°F to 140°F)	Flammability: Meets UL94 requirements; V2 rated Temperature Rating: -40°C to 60°C (-40°F to 140°F)
Electrical Specifications	Dielectric Voltage: ≤300V: 2000V, 301-600V: 3000V per UL498 Current Interrupting: Yes, at full-rated current Temperature Rise: Max. 30°C (86°F) after 50 cycles of overload @ 150% of rated current (DC)	Dielectric Voltage: ≤300V: 2000V, 301-600V: 3000V per UL498 Current Interrupting: Yes, at full-rated current Temperature Rise: Max. 30°C (86°F) @ maximum rated current (DC)
Mechanical Specifications	Terminal Accommodation: #14 - #8 AWG Voltage Ratings: Permanently marked on device	Terminal Accommodation: #14 - #8 AWG Voltage Ratings: Permanently marked on device

Table 7. Materials

Catalog No.	NEMA L15-30 Flanged Outlet	NEMA L15-30 Flanged Inlet
NEMA Config	NEMA L15-30	NEMA L15-30
Outer Shell	Nylon	Nylon
Interior Body	Nylon	Nylon
Terminal Retainer	Polycarbonate	Polycarbonate
Blades	N/A	0.062" thick brass
Line Contacts	0.031" thick bronze	N/A
Terminal Clamps	Steel	Steel
Terminal Screws	#10-32 brass, nickel plated (neutral screw)	#10-32 brass, nickel plated (neutral screw)
Ground Screw	#10-32 brass (green)	#10-32 brass (green)
Assembly Screws	Steel, nickel plated	Steel, nickel plated
Mounting Screws	Steel, zinc plated	Steel, zinc plated

Product Dimensions

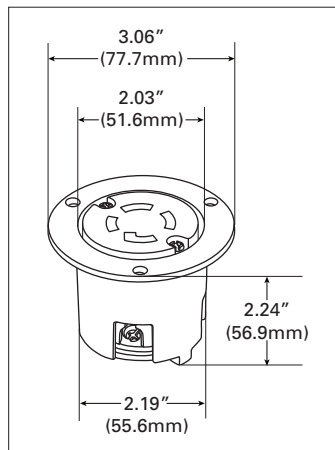


Figure 5. AHL1530FO

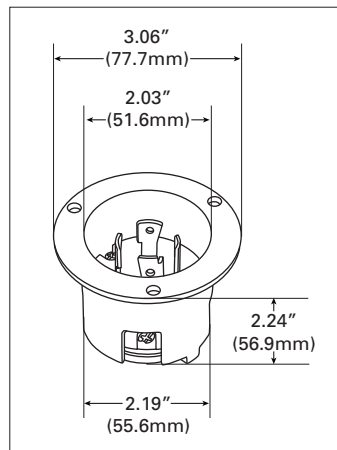


Figure 6. AHL1530FI

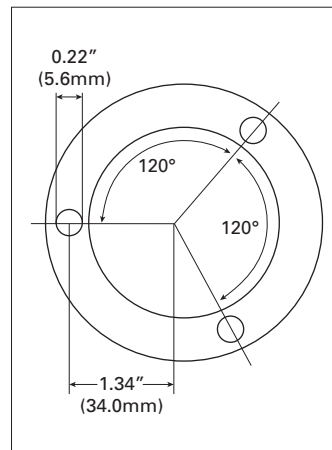









Figure 7. Top View


Compliances, specifications and availability are subject to change without notice.

Project Name:	Prepared By:
Project Number:	Date:
Catalog Number:	Type:

Certifications & Compliances

Catalog No.							
AHL1530P	•						• •
AHL1530C	•						• •
AHL1530R		• •		•			• •
AHIGL1530R		• •			•		• •
AHL1530FO		• •					• •
AHL1530FI	•						• •

KEY:  cULus  UL  CSA  Fed Spec  NOM  NAFTA  ROHS

 Parts are manufactured and designed in accordance with article 4 of the European Union's RoHS2 directive 2011/65/EU

Compliances, specifications and availability are subject to change without notice.

Electrical Sector
203 Cooper Circle
Peachtree City, GA 30269
United States
Eaton.com
Arrowhart.com

Electrical Sector
Canada Operations
5925 McLaughlin Road
Mississauga, Ontario, L5R 1B8
Canada
EatonCanada.ca
Arrowhart.com

Electrical Sector
Mexico Operations
Carr. Tlalnepantla -
Cuautitlan Km 17.8 s/n
Col. Villa Jardin esq.
Cerrada 8 de Mayo
Cuautitlan, Mexico CP 54800
Mexico
Eaton.mx
Arrowhart.com

Eaton
1000 Eaton Boulevard
Cleveland, OH 44122
United States
Eaton.com

© 2014 Eaton
All Rights Reserved
Printed in USA
Publication No. 125-0098-13
January 2014

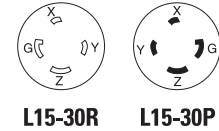
Eaton is a registered trademark.

All other trademarks are property
of their respective owners.

Industrial grade 30A locking devices

Product description

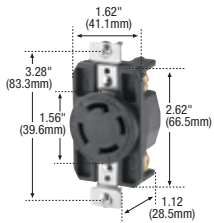
3-pole, 4-wire grounding
30A, 3Ø 250V/AC
NEMA L15-30



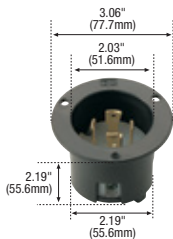
AHL1530P



AHL1530C



AHL1530R



AHL1530FI

Industrial grade plugs & connectors



Rating	V/AC	NEMA	Description	Cord diameter	Color	Plug catalog no.	Connector catalog no.		
30	250	L15-30	3Ø ultra grip straight body	0.38-1.16" (9.5-29.4mm)	BK & W	<input type="checkbox"/> AHL1530P	<input type="checkbox"/> AHL1530C		

Industrial grade receptacles



Rating	V/AC	NEMA	Description	Color	Single receptacle		
30	250	L15-30	3Ø standard industrial	BK	<input type="checkbox"/> AHL1530R		
			3Ø isolated ground	RN	<input type="checkbox"/> IGL1530R*		

*Not Fed Spec

Industrial grade flanged inlets & outlets



Rating	V/AC	NEMA	Description	Color	Flanged inlet	Flanged outlet		
30	250	L15-30	3Ø standard industrial	BK	<input type="checkbox"/> AHL1530FI	—		
			3Ø standard industrial	BK & W	—	<input type="checkbox"/> AHL1530FO ¹		

¹Only UL Listed and CSA Certified

Accessories for L15-30 locking devices

Description	Catalog no.		
Neoprene weather protective boot for 4-W & 5-W plugs	<input type="checkbox"/> BL1		
Neoprene weather protective boot for 4-W & 5-W connectors	<input type="checkbox"/> BL2		
Diecast aluminum single receptacle cover, vertical mount, for FS/FD boxes	<input type="checkbox"/> 7420		
Glass-filled nylon flanged inlet/outlet cover, vertical mount, for 30A devices	<input type="checkbox"/> WP2		



BL1

BL2

7420

WP2

Dimensional information:

C-76-C-78

Plug & connector specification information:

L15-30: C-84

Receptacle specification information:

L15-30: C-87

Flanged inlet & flanged outlet specification information:

L15-30: C-89

Color information:

BK (Black), RN (Orange), W (White)



Compliances, specifications and availability are subject to change without notice.

Indicates NAFTA compliant - Page Q-32

RoHS compliant - Page Q-32