



ELECTROSWITCH
ELECTRONIC PRODUCTS
UNIT OF ELECTRO SWITCH CORP.



IP67 Sealed Thumb Switches

Highest quality for the most demanding applications

TS Series



Robust Design

Environmentally Sealed

Compact Size



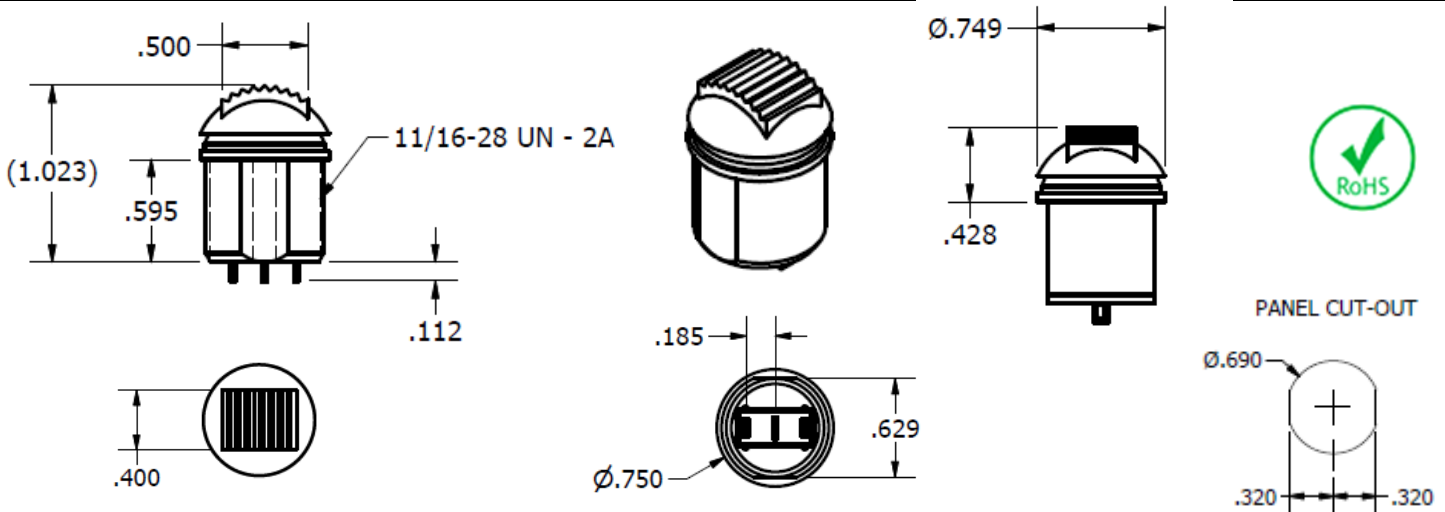
Electroswitch
Phone: 888-768-2797
sales@electro-nc.com

IP67 Sealed Thumb Switches

Highest quality for the most demanding applications



Catalog No.	Poles	Action	Actuator	Terminal	Terminal Plating	Actuator Color
TS121SZQ2	1	on-off-on	Standard	Solder	Silver	Black
TS123SZQ2	1	on-none-on	Standard	Solder	Silver	Black
TS126SZQ2	1	on-none-mom	Standard	Solder	Silver	Black
TS127SZQ2	1	mom-off-mom	Standard	Solder	Silver	Black
TS131SZQ2	1	on-off-mom	Standard	Solder	Silver	Black



SPECIFICATIONS:

Contact Ratings 6 amp at 125 VAC, 3 amp @ 250 VAC

Life Under Load — 60,000 make-and-break cycles — resistive load only.

Mechanical Life— 100,000+ cycles

Initial Contact Resistance — 10 milliohms maximum 3 VDC, 100 ma.

Insulation Resistance — 1,000 megohms, min.

Dielectric Strength — 1,000 volts rms at sea level.

Operating Temperature — -30 degrees C to 85 degrees C.