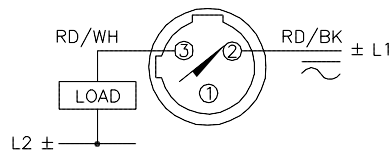
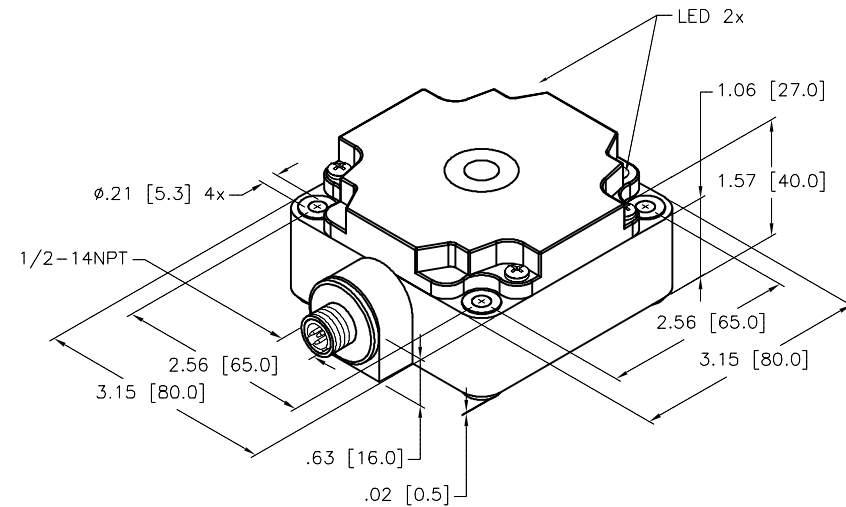


OPERATING VOLTAGE	2-WIRE AC, 20-250 VAC/10-300 VDC
OUTPUT FUNCTION	CONNECTION PROGRAMMABLE
EMBEDDABLE	NO
RATED OPERATING DISTANCE	50 mm
APPROVAL OR CERTIFICATION	CSA (C US), CE
SHORT-CIRCUIT PROTECTION	YES
WELD-FIELD IMMUNITY	NO
SWITCHING FREQUENCY	20 Hz
LINE FREQUENCY	50-60 Hz
DIFFERENTIAL TRAVEL <HYSTERESIS>	3-15% (5% TYPICAL)
VOLTAGE DROP ACROSS CONDUCTING SENSOR	≤6.0 V AT 400 mA
TRIGGER CURRENT FOR OVERLOAD PROTECTION	≥500 mA
CONTINUOUS LOAD CURRENT	≤400 mA
OFF-STATE <LEAKAGE> CURRENT	≤1.7 mA
MINIMUM LOAD CURRENT	≥3.0 mA
INRUSH CURRENT	≤8.0 A (≤10 ms MAX. 5Hz)
TIME DELAY BEFORE AVAILABILITY	≤30 ms
POWER-ON EFFECT	PER IEC 947-5-2
TRANSIENT PROTECTION	PER EN 60947-5-2
OPERATING TEMPERATURE	-25°C TO +100°C (-13°F TO + 212°F)
SHOCK	30 g, 11 ms
VIBRATION	55 Hz, 1 mm AMPLITUDE (ALL 3 PLANES)
REPEATABILITY	≤2% OF RATED OPERATING DISTANCE
NUMBER OF LEDS	2
LED FUNCTION <RED>	OUTPUT ENERGIZED
LED FUNCTION <GREEN>	POWER ON
LED FUNCTION <FLASHING GREEN>	SHORT-CIRCUIT INDICATION
ENCLOSURE	MEETS NEMA 1,3,4,6,13, AND IEC IP 67
CONNECTION	3-PIN microfast CONNECTOR
CONNECTOR MATERIAL	CHROME-PLATED BRASS
HOUSING MATERIAL	PBT-GF30-V0 PLASTIC
TERMINAL CHAMBER COVER MATERIAL	TROGAMID T



NOTES:

1. "/S100" DESIGNATES A HIGH OPERATING TEMPERATURE OF +100°C [+212°F].
2. ALL DIMENSIONAL TOLERANCES ±1.0 mm.

SOURCE DRAWING - FOR REFERENCE ONLY

RELATED DOCUMENTS		3RD ANGLE PROJECTION		THIS DRAWING IS CONFIDENTIAL AND THE PROPERTY OF TURCK INC. USE OF THIS DOCUMENT WITHOUT WRITTEN PERMISSION IS PROHIBITED.		TURCK INC <i>High Technology Sensors and Automation Controls</i> 3000 CAMPUS DRIVE MINNEAPOLIS, MN 55441 1-800-544-7769 (763) 553-7300 (763) 553-0708 fax turck.com	
1. 2. 3. 4.				DRFT RDS	DATE 05/23/14	DESCRIPTION NI150-CP80-FDZ30X2-B3131/S100	
MATERIAL		ALL DIMENSIONS DISPLAYED ON THIS DRAWING ARE FOR REFERENCE ONLY		APVD J.M.	SCALE NONE	IDENTIFICATION NO. M4229000-000	
FINISH		CONTACT TURCK FOR MORE INFORMATION		UNIT OF MEASUREMENT INCH [MILLIMETER]		REV A	
A DRAWING RELEASE		RDS 05/23/14		DO NOT SCALE THIS DRAWING		FILE: M4229000-000	
REV	DESCRIPTION	BY	DATE	ECO NO.	SHEET 1 OF 1		