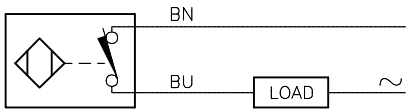
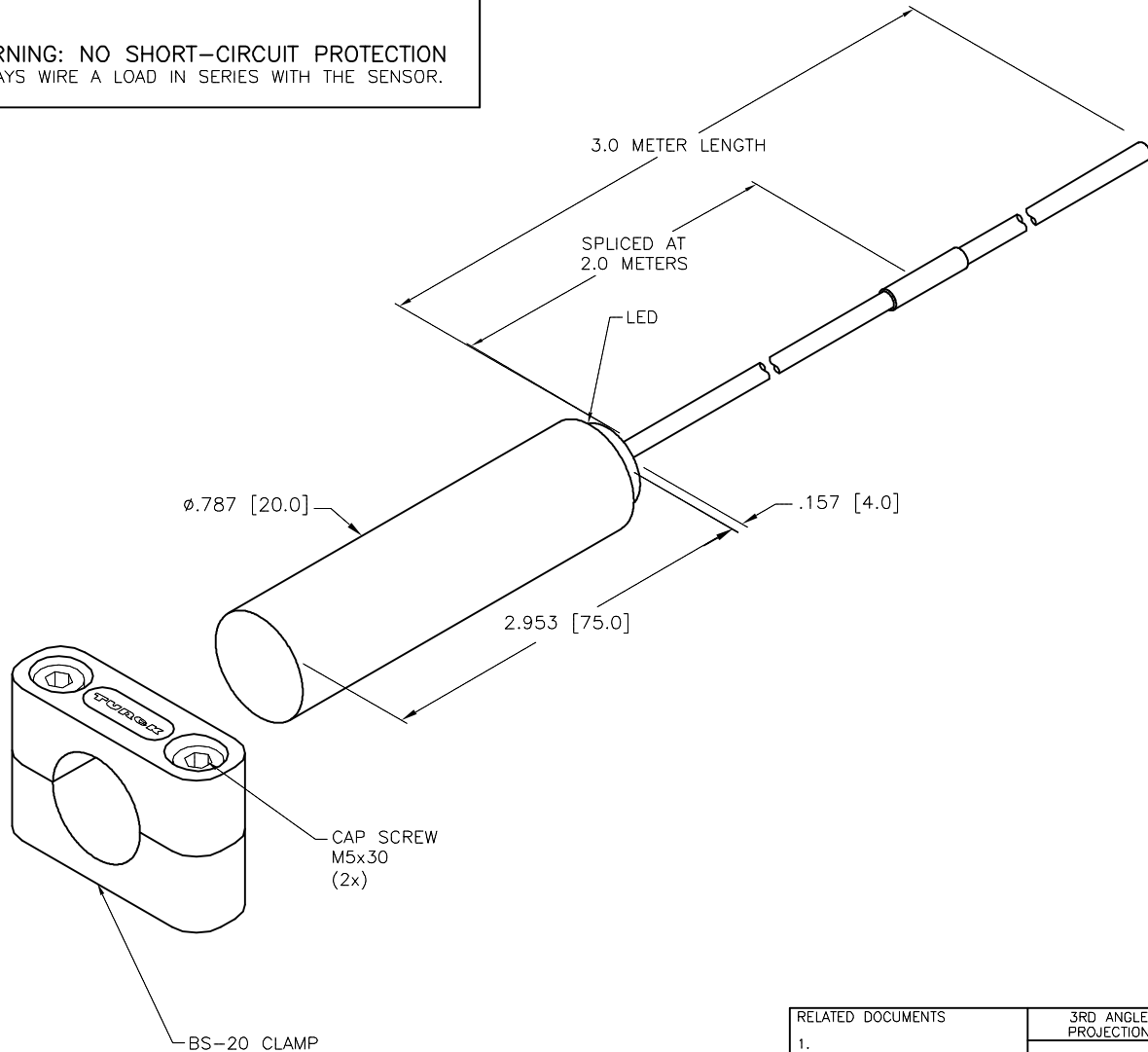


WIRING DIAGRAM



OUTPUT: RZ3X

**WARNING: NO SHORT-CIRCUIT PROTECTION
ALWAYS WIRE A LOAD IN SERIES WITH THE SENSOR.**



SPECIFICATIONS

RATED OPERATING DISTANCE	10 mm = .394"
MOUNTING MODE	NON-FLUSH
TEMPERATURE DRIFT	≤±10%
HYSTERESIS	3-15%
MIN. REPEAT ACCURACY	≤2%
OPERATING TEMPERATURE	-25°C to +70°C (-13°F to +158°F)
RATED OPERATIONAL VOLTAGE (AC/DC)	20-250 VAC/10-300 VDC
RATED OPERATIONAL CURRENT (AC/DC)	≤ 400 mA/≤ 300 mA
FREQUENCY	50-60 Hz
RESIDUAL CURRENT	≤ 1.7 mA
RATED INSULATION VOLTAGE	≤ 1.5 kV
SURGE CURRENT	≤ 8.0 A (≤ 10 ms MAX. 5 Hz)
MAX. VOLTAGE DROP	≤ 6.0 V
OUTPUT FUNCTION	2-WIRE, NORMALLY CLOSED
SMALLEST OPERATING CURRENT	≥ 3.0 mA
MAX. SWITCHING FREQUENCY	≤ 0.02 kHz
HOUSING MATERIAL	PLASTIC, PBT-GF30-V0
ACTIVE FACE MATERIAL	PLASTIC, PBT-GF30-V0
CABLE	ø5.2, LiYY, PVC
VIBRATION RESISTANCE	55 Hz (IN ALL 3 PLANES)
SHOCK RESISTANCE	30 g, 11 ms
DEGREE OF PROTECTION	IP 67
SWITCHING STATUS INDICATION	LED: YELLOW
INCLUDED IN SCOPE OF SUPPLY	BS20

SOURCE DRAWING - FOR REFERENCE ONLY

RELATED DOCUMENTS		3RD ANGLE PROJECTION		THIS DRAWING IS CONFIDENTIAL AND THE PROPERTY OF TURCK INC. USE OF THIS DOCUMENT WITHOUT WRITTEN PERMISSION IS PROHIBITED.		 High Technology Sensors and Automation Controls		3000 CAMPUS DRIVE MINNEAPOLIS, MN 55441 1-800-544-7769 (763) 553-7300 (763) 553-0708 fax turck.com	
1. 2. 3. 4.				DRFT	RDS	DATE	09/22/14	DESCRIPTION	
MATERIAL		ALL DIMENSIONS DISPLAYED ON THIS DRAWING ARE FOR REFERENCE ONLY		APVD	A.F.	SCALE	1=1.5	NI10-K20-RZ3X 3M SPLICED	
FINISH		CONTACT TURCK FOR MORE INFORMATION		UNIT OF MEASUREMENT				IDENTIFICATION NO.	
SEE SPECIFICATIONS				INCH [MILLIMETER]				M4358600-000	
SEE SPECIFICATIONS				DO NOT SCALE THIS DRAWING				REV A	
A DRAWING RELEASE		RDS 09/22/14		FILE: M4358600-000				SHEET 1 OF 1	
REV	DESCRIPTION	BY	DATE	ECO NO.					

A	DRAWING RELEASE	RDS	09/22/14	
REV	DESCRIPTION	BY	DATE	ECO NO.