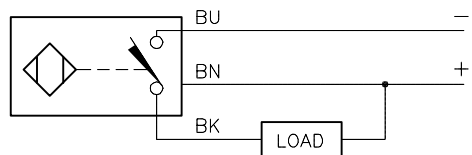


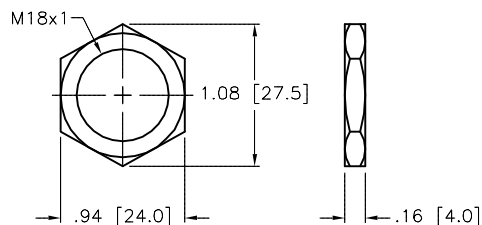
WIRING DIAGRAM



OUTPUT: AN6X

SHORT-CIRCUIT AND OVERLOAD PROTECTED

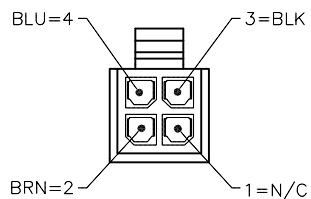
LOCKNUT LN-M18



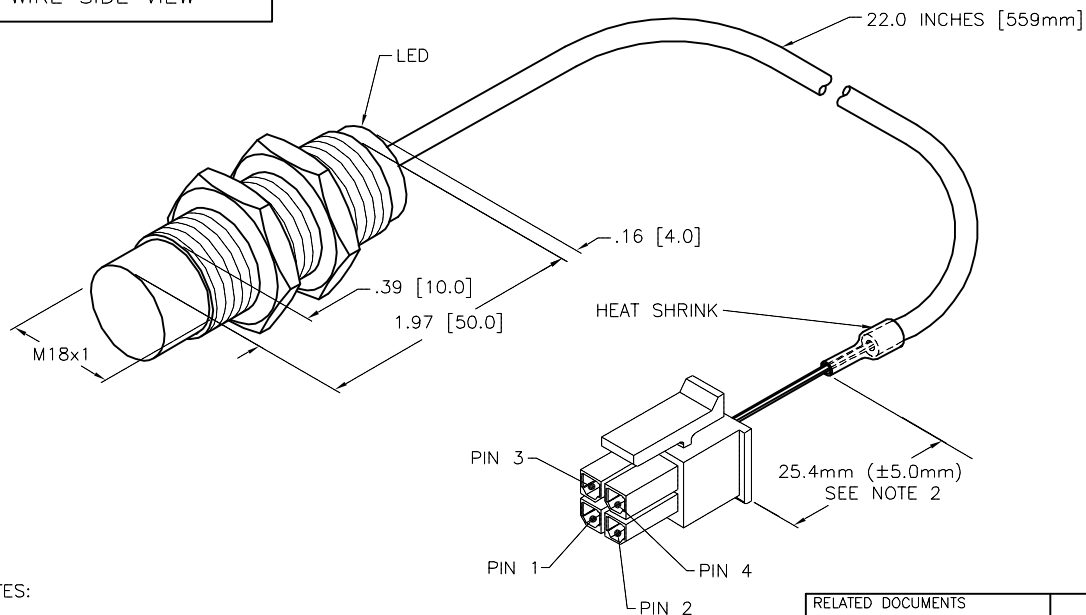
SPECIFICATIONS

|   |  |
|---|--|
| OPERATING VOLTAGE                       | 10-30 V DC                                 |
| RIPPLE                                  | ≤ 10%                                      |
| DIFFERENTIAL TRAVEL (HYSTERESIS)        | 3-15% (5% TYPICAL)                         |
| VOLTAGE DROP ACROSS CONDUCTING SENSOR   | ≤ 1.8 V at 200 mA                          |
| OUTPUT FUNCTION                         | NORMALLY OPEN<br>3-WIRE DC SELF-CONTAINED  |
| TTL COMPATIBLE                          | NO   |
| SHORT-CIRCUIT PROTECTED                 | YES  |
| TRIGGER CURRENT FOR OVERLOAD PROTECTION | ≥ 220 mA                                   |
| CONTINUOUS LOAD CURRENT                 | ≤ 200 mA                                   |
| OFF-STATE (LEAKAGE) CURRENT             | < 10µ A                                    |
| NO-LOAD CURRENT                         | 5.5-9.5 mA                                 |
| TIME DELAY BEFORE AVAILABILITY          | ≤ 8 ms                                     |
| POWER-ON EFFECT PROTECTION              | INCORPORATED                               |
| REVERSE POLARITY PROTECTION             | INCORPORATED                               |
| WIRE-BREAK PROTECTION                   | INCORPORATED                               |
| PROTECTION AGAINST TRANSIENTS           | 2 kV, 1 ms, 1 kΩ                           |
| OPERATING TEMPERATURE                   | -25°C to +70°C (-13°F to +158°F)           |
| ENCLOSURE                               | MEETS NEMA 1, 3, 4, 6, 13 AND IEC IP67     |
| SHOCK                                   | 30 g, 11 ms                                |
| VIBRATION                               | 55 Hz, 1 mm AMPLITUDE<br>(IN ALL 3 PLANES) |
| LED FUNCTION                            | YELLOW: OUTPUT ENERGIZED                   |
| SENSING RANGE                           | 10 mm = .394" (NOMINAL)                    |
| MAX. SWITCHING FREQUENCY                | ≤ 0.5 kHz                                  |
| REPEATABILITY                           | ≤ 2% of RATED OPERATING DISTANCE           |
| EMBEDDABLE (SHIELDED)                   | NO   |

PINOUT DIAGRAM



WIRE SIDE VIEW



NOTES:

1. MOLEX CONNECTOR

HOUSING RECEPT: P/N 43025-0400  
TERMINALS: P/N 43030-0003

2. HEAT SHRINK END OF CABLE. (HEAT SHRINK SET BACK 25.4mm (±5.0mm) FROM CONNECTOR.)

RELATED DOCUMENTS

- 1.
- 2.
- 3.
- 4.

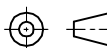
MATERIAL

SEE NOTES

FINISH

SEE SPECIFICATIONS

3RD ANGLE PROJECTION



ALL DIMENSIONS DISPLAYED ON THIS DRAWING ARE FOR REFERENCE ONLY

CONTACT TURCK FOR MORE INFORMATION

THIS DRAWING IS CONFIDENTIAL AND THE PROPERTY OF TURCK INC. USE OF THIS DOCUMENT WITHOUT WRITTEN PERMISSION IS PROHIBITED.

DRFT RDS

APVD

DATE 03/04/04

SCALE 1=1.5

UNIT OF MEASUREMENT

INCH [ MILLIMETER ]

DO NOT SCALE THIS DRAWING

**TURCK INC**  
High Technology Sensors and Automation Controls

3000 CAMPUS DRIVE  
MINNEAPOLIS, MN 55441  
1-800-544-7769  
(763) 553-7300  
(763) 553-0708 fax  
turck.com

DESCRIPTION  
Ni10-G18-AN6X/S1677

IDENTIFICATION NO. T4641798

REV D

|     |                             |     |          |         |
|-----|-----------------------------|-----|----------|---------|
| D   | UPDATE HEAT SHRINK LOCATION | RDS | 02/13/14 | 44909   |
| REV | DESCRIPTION                 | BY  | DATE     | ECO NO. |