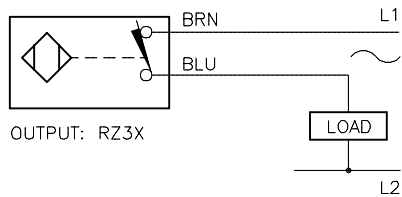
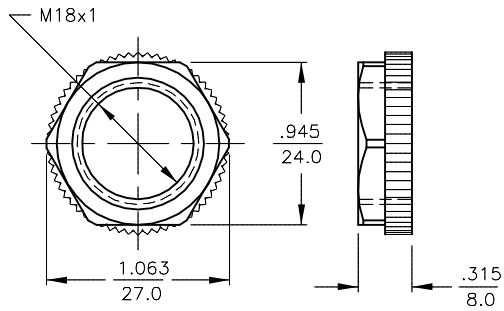


WIRING DIAGRAM



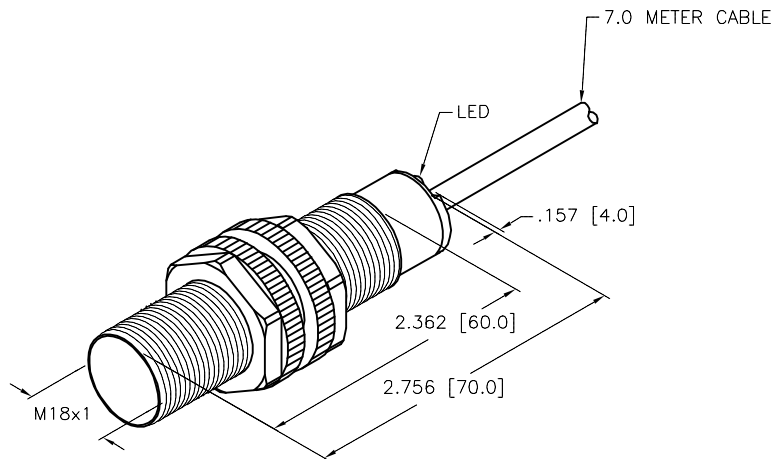
WARNING: NO SHORT-CIRCUIT PROTECTION
ALWAYS WIRE A LOAD IN SERIES WITH THE SENSOR.

LOCKNUT LN-P18



SPECIFICATIONS

RATED OPERATING DISTANCE	8mm = .315"
MOUNTING MODE	NON-FLUSH
HYSTERESIS	3-15%
REPEATABILITY	≤ 2%
TEMPERATURE DRIFT	≤ ±10%
OPERATING TEMPERATURE	-25°C to +70°C (-13°F to +158°F)
RATED OPERATING VOLTAGE	20-250 VAC/10-300 VDC
RATED OPERATIONAL CURRENT	≤ 400 mA AC/≤ 300 mA DC
FREQUENCY	50-60 Hz
RESIDUAL CURRENT	≤ 1.7 mA
RATED INSULATION VOLTAGE	≤ 1.5 kV
SURGE CURRENT	≤ 8.0 A (≤ 10ms MAX. 5Hz)
MAX. VOLTAGE DROP	≤ 6.0 V
OUTPUT FUNCTION	2-WIRE, NORMALLY CLOSED
SMALLEST OPERATING CURRENT	≥ 3.0 mA
MAX. SWITCHING FREQUENCY	≤ 0.02 kHz
HOUSING MATERIAL	PLASTIC, PA12-GF30
ACTIVE FACE MATERIAL	PLASTIC, PA12-GF30
END CAP MATERIAL	PLASTIC, EPTR
CABLE	ø5.2, PVC
VIBRATION RESISTANCE	55 Hz, 1 mm AMPLITUDE (IN ALL 3 PLANES)
SHOCK RESISTANCE	30 x g (11 ms)
DEGREE OF PROTECTION	IP67
SWITCHING STATUS INDICATION	LED, RED



SOURCE DRAWING - FOR REFERENCE ONLY

RELATED DOCUMENTS		3RD ANGLE PROJECTION		THIS DRAWING IS CONFIDENTIAL AND THE PROPERTY OF TURCK INC. USE OF THIS DOCUMENT WITHOUT WRITTEN PERMISSION IS PROHIBITED.		3000 CAMPUS DRIVE MINNEAPOLIS, MN 55441 1-800-544-7769 (763) 553-7300 (763) 553-0708 fax www.turck.us	
1. 2. 3. 4.				DRFT RDS DATE 05/12/11		DESCRIPTION N18-S18-AZ3X 60MM 7M	
MATERIAL SEE SPECS		ALL DIMENSIONS DISPLAYED ON THIS DRAWING ARE FOR REFERENCE ONLY		APVD SCALE 1=1.3		IDENTIFICATION NO. 4350597	
FINISH SEE SPECS		CONTACT TURCK FOR MORE INFORMATION		UNIT OF MEASUREMENT INCH [MILLIMETER]		REV C	
C UPDATE DESCRIPTION		RDS 06/20/19 500000000149		DO NOT SCALE THIS DRAWING		FILE: 4350597	
REV DESCRIPTION		BY DATE ECO NO.				SHEET 1 OF 1	