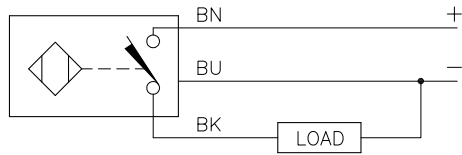


WIRING DIAGRAM

LOCKNUT LN-M18

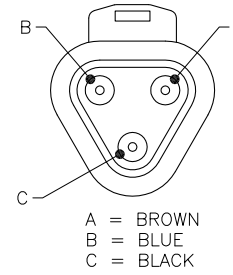
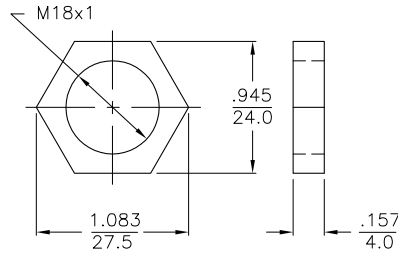
CONNECTOR END VIEW

SPECIFICATIONS

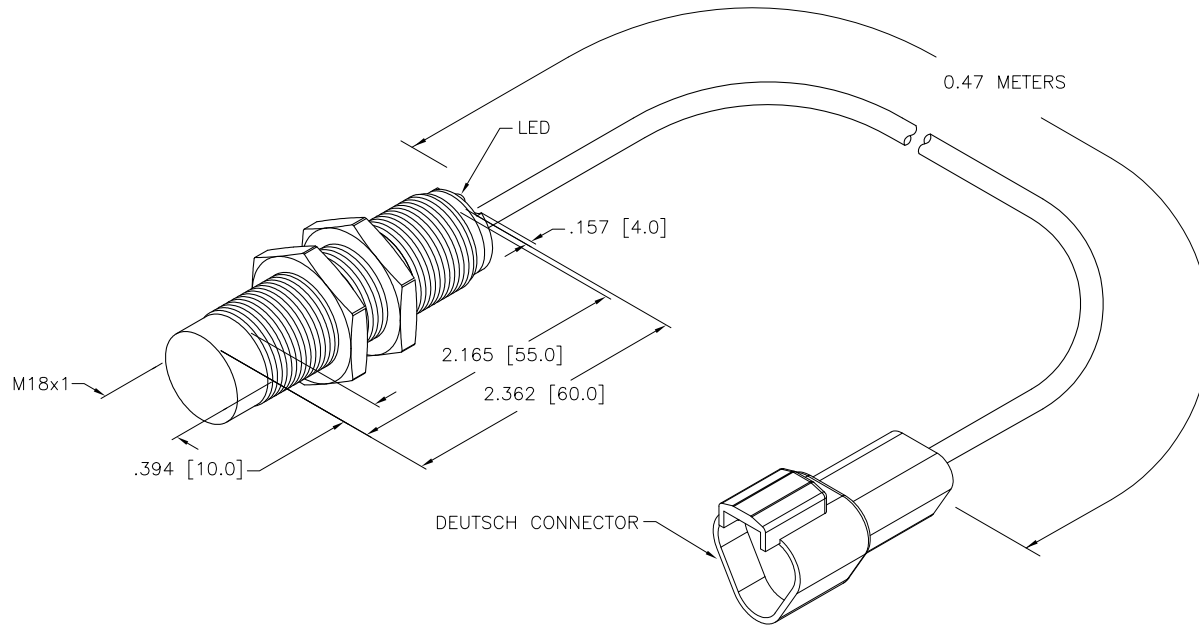


OUTPUT: AP6X

SHORT-CIRCUIT AND OVERLOAD PROTECTED



RATED OPERATING DISTANCE	8mm = .315"
MOUNTING MODE	NON-FLUSH
MIN. REPEAT ACCURACY	≤ 2%
TEMPERATURE DRIFT	≤ ±10%
HYSTERESIS	3-15%
OPERATING TEMPERATURE	-40°C to +70°C (-40°F to +158°F)
RATED OPERATIONAL VOLTAGE	10-30 VDC
MAX. RIPPLE	≤ 10%
DC RATED OPERATIONAL CURRENT	≤ 200 mA
NO-LOAD CURRENT	≤ 15 mA
RESIDUAL CURRENT	≤ 0.1 mA
RATED INSULATION VOLTAGE	≤ 0.5 kV
SHORT-CIRCUIT PROTECTION	YES
MAX. VOLTAGE DROP	≤ 1.8 V
WIRE BREAKAGE PROTECTION	INCORPORATED
REVERSE POLARITY PROTECTION	INCORPORATED
OUTPUT FUNCTION	NORMALLY OPEN, 3-WIRE, PNP
MAX. SWITCHING FREQUENCY	≤ 0.5 kHz
HOUSING MATERIAL	BRASS/CHROME PLATED
ACTIVE FACE	PLASTIC, PA12-GF30
END CAP	PLASTIC, PA12-GF30
CABLE	ø5.2, LIFYY, PVC
VIBRATION RESISTANCE	55 Hz, 1 mm AMPLITUDE (IN ALL 3 PLANES)
SHOCK RESISTANCE	30 g, 11 ms
DEGREE OF PROTECTION	IP67
SWITCHING STATUS INDICATION	LED, YELLOW



NOTES:

1. "CS12240" DESIGNATES 470MM CABLE FROM SENSOR TO BACK OF DEUTSCH CONNECTOR. SENSOR RATED TO -40 C.

DEUTSCH PART NUMBERS:

CONNECTOR: DT04-3P-E004
 LOCKING WEDGE: W3P-P004
 PINS: 0460-202-16141 (3x)

PINOUT:

A = BROWN
 B = BLUE
 C = BLACK

SOURCE DRAWING - FOR REFERENCE ONLY

RELATED DOCUMENTS		3RD ANGLE PROJECTION		THIS DRAWING IS PROPERTY OF TURCK INC. USE OF THIS DOCUMENT WITHOUT WRITTEN PERMISSION IS PROHIBITED.		TURCK INC High Technology Sensors and Automation Controls 3000 CAMPUS DRIVE MINNEAPOLIS, MN 55441 1-800-544-7769 (763) 553-7300 (763) 553-0708 fax turck.com	
1.			ALL DIMENSIONS DISPLAYED ON THIS DRAWING ARE FOR REFERENCE ONLY	DRFT	RDS	DATE	12/23/08
2.				DSGN		SCALE	1=1.3
3.				UNIT OF MEASUREMENT		DESCRIPTION	
4.				INCH [MILLIMETER]		NI 8-M18E-AP6X/CS12240	
MATERIAL		SEE NOTES		CONTACT TURCK FOR MORE INFORMATION		IDENTIFICATION NO.	
FINISH		SEE NOTES		DO NOT SCALE THIS DRAWING		T4614788 REV A	
REV		DESCRIPTION		BY		DATE	
A		DRAWING RELEASE		RDS		12/23/08	
ECO NO.						FILE: T4614788	
						SHEET 1 OF 1	