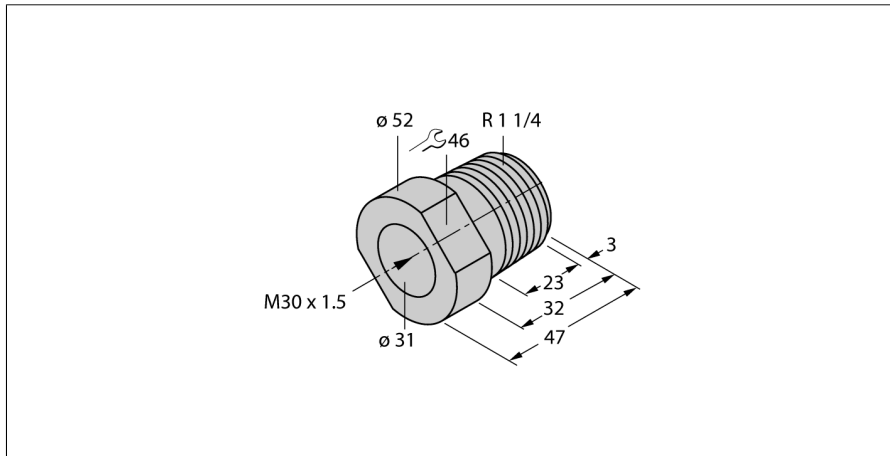


## Accessories

### Mounting Adapter

#### MAP-M30



- Mounting adapter
- Plastic: Polypropylene
- Sensor can be removed from a filled container (adapter remains in container during replacement)
- Up to 140 °C for a short period

<b>Type</b>	MAP-M30
<b>ID</b>	6950013
<b>Design</b>	Accessories for threaded barrels, M30
<b>Dimensions</b>	47 mm
<b>Housing material</b>	Plastic, PP
<b>Ambient temperature</b>	-20...+100 °C