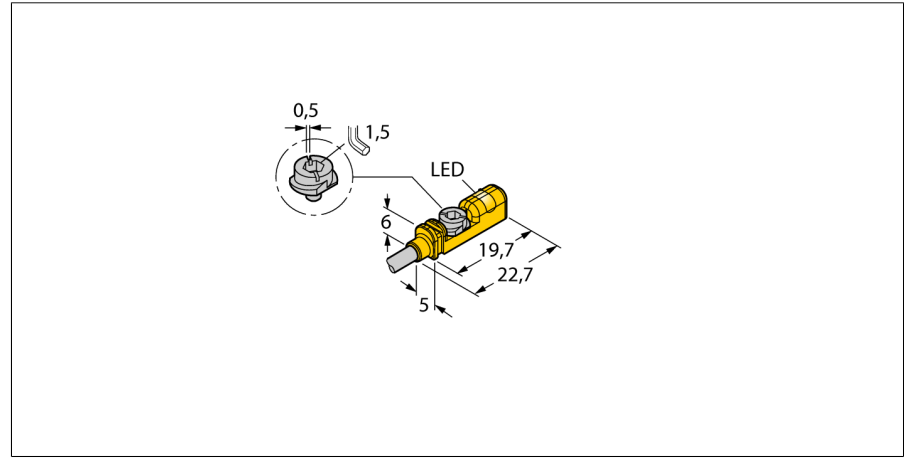


Accessories

UNT-SCREW 2.5MM (100 PCS)



Replacement screws for magnetic field sensors BIM-UNT...

Type	UNT-SCREW 2.5MM (100 PCS)
ID	6901056
Design	Accessories
