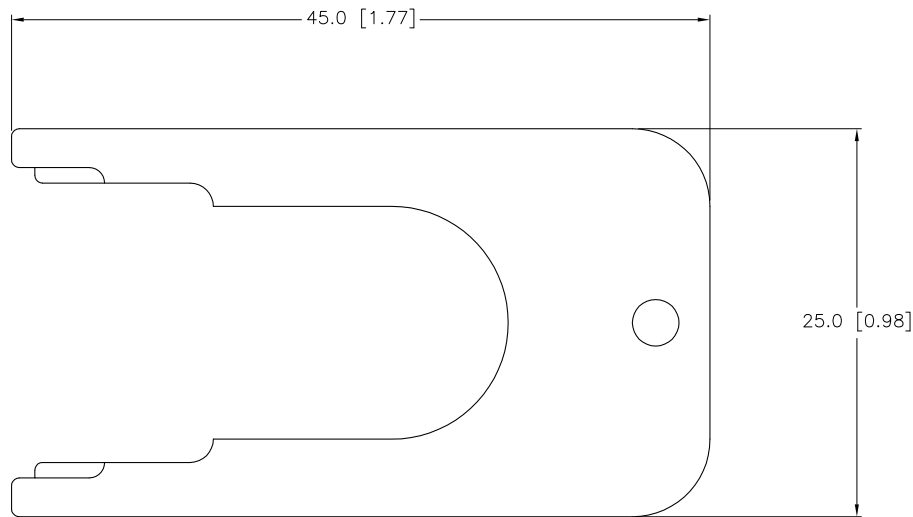
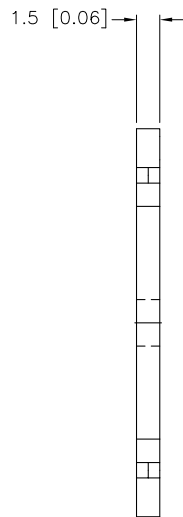


ISOMETRIC VIEW  
HALF SCALE



SOURCE DRAWING - FOR REFERENCE ONLY

RELATED DOCUMENTS		3RD ANGLE PROJECTION		THIS DRAWING IS PROPERTY OF TURCK INC. USE OF THIS DOCUMENT WITHOUT WRITTEN PERMISSION IS PROHIBITED.		<b>TURCK INC</b> High Technology Sensors and Automation Controls 3000 CAMPUS DRIVE MINNEAPOLIS, MN 55441 1-800-544-7769 (763) 553-7300 (763) 553-0708 fax turck.com	
1. 2. 3. 4.				DRFT JBU DATE 09/12/01		DESCRIPTION M16 SPANNER TOOL	
MATERIAL STEEL		ALL DIMENSIONS DISPLAYED ON THIS DRAWING ARE FOR REFERENCE ONLY		DSGN SCALE 2=1.0		IDENTIFICATION NO. A6700	
FINISH NICKEL PLATING		CONTACT TURCK FOR MORE INFORMATION		UNIT OF MEASUREMENT <b>MILLIMETER [ INCH ]</b>		REV B	
DO NOT SCALE THIS DRAWING		FILE: A6700		SHEET 1 OF 1			

B	UPDATE PART DESCRIPTION, SEE ECO	RWC	06/03/10	31364
REV	DESCRIPTION	BY	DATE	ECO NO.