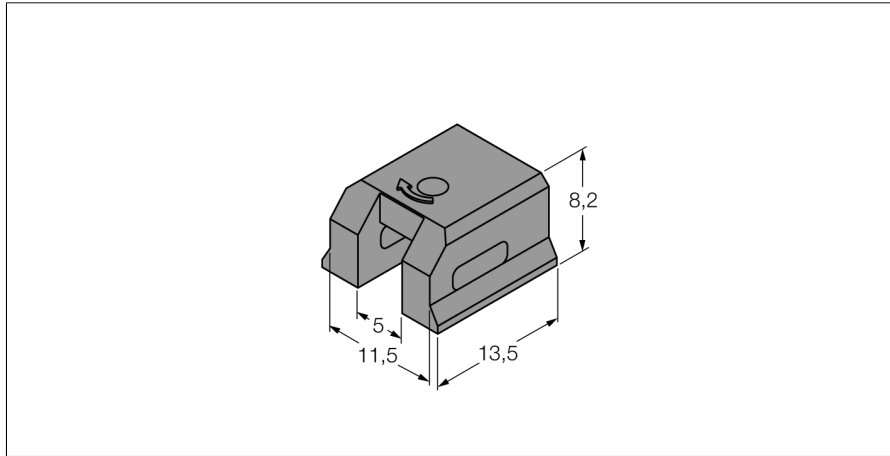


Accessories

Mounting Bracket

For Dovetail Groove Cylinders

KLDT-UNT4



- Mounting on dovetail groove cylinders
- Groove width: 11.5 mm (e.g. Pneumax)
- Plastic: Polyphenylene sulfide (PPS)

Type	KLDT-UNT4
ID	6913353
Design	Accessories
Dimensions	13.5 x 11.5 x 8.2 mm
Housing material	Plastic
Fixing clamp for correspondent cylinder diameter	alle