

Datasheet

## RS Pro Raspberry Pi and LCD Touch Screen Case, White

RS Stock No: **100-3894**



### Product Details

RS Pro protective case in white colour, has durable ABS construction. This case offers superior protection to the board and the display. It includes cut-outs for all connections, ensuring quick access. This flexible case is suitable for use with Raspberry Pi and LCD touch screens.

### Features and Benefits

- Renders the touch screen and Pi board portable
- Cut-outs for all connections
- Camera board connector slot
- Wall mount features
- Four screw fixings supplied for attachment to the touch screen
- Easy clip rear cover to protect/access all internal connectors



ENGLISH

### Specifications:

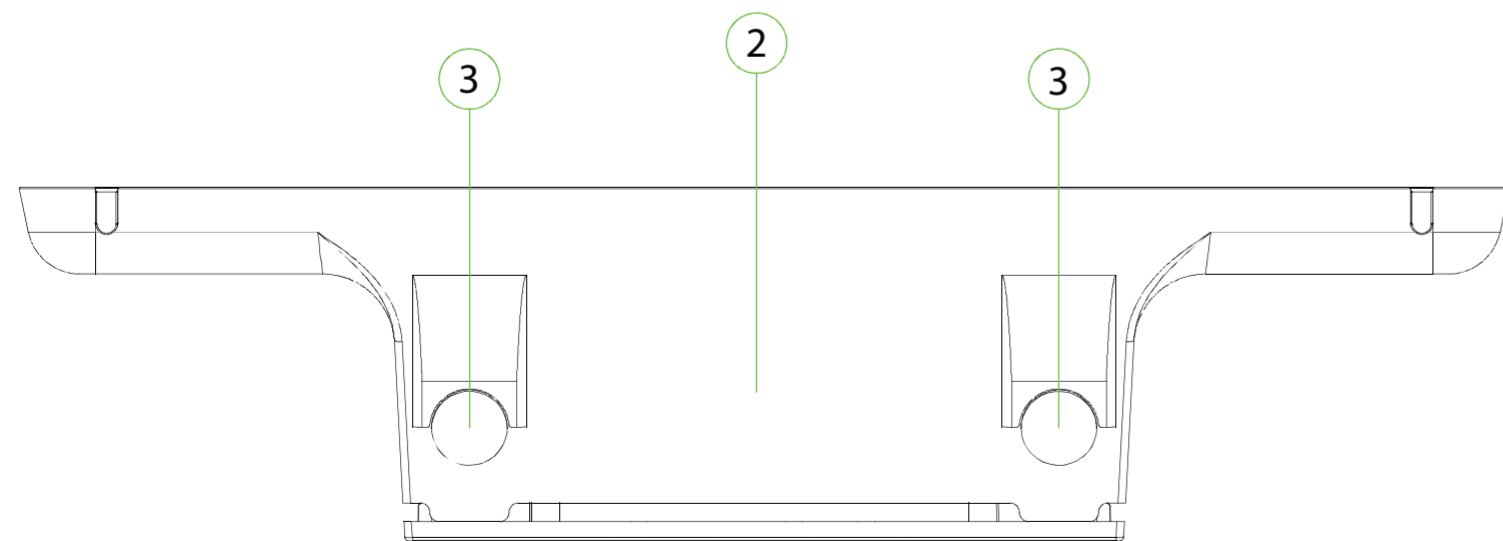
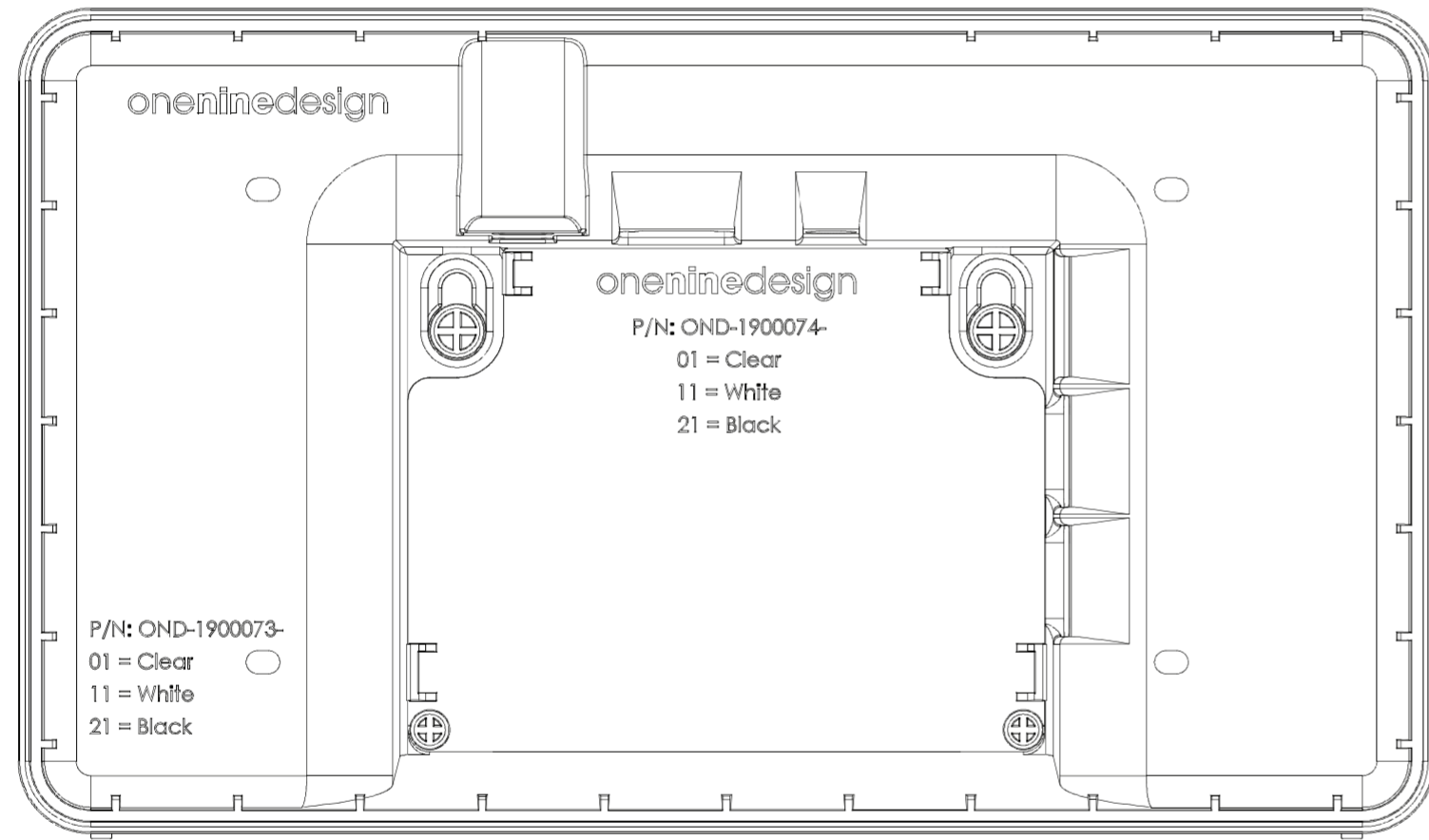
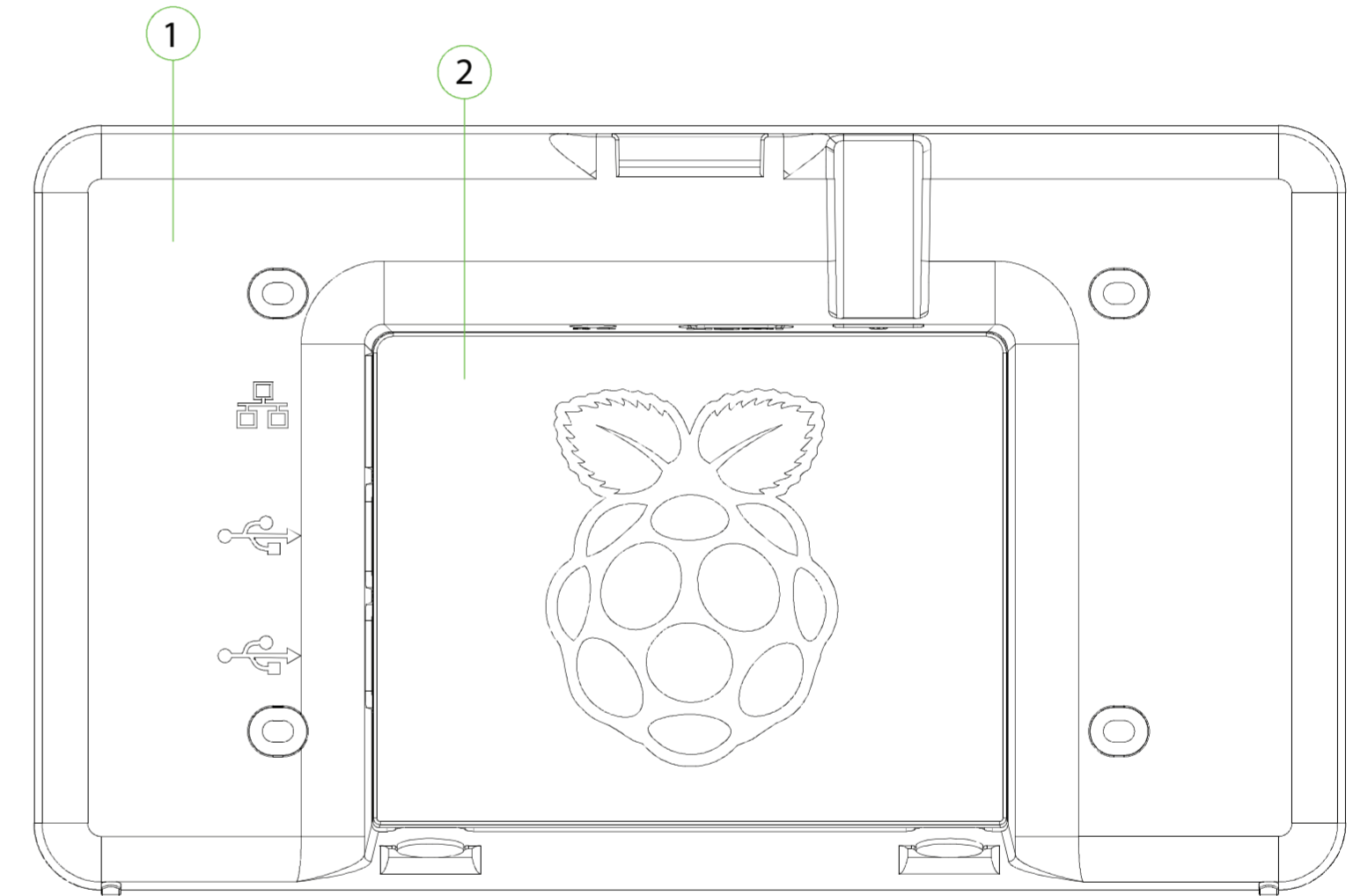
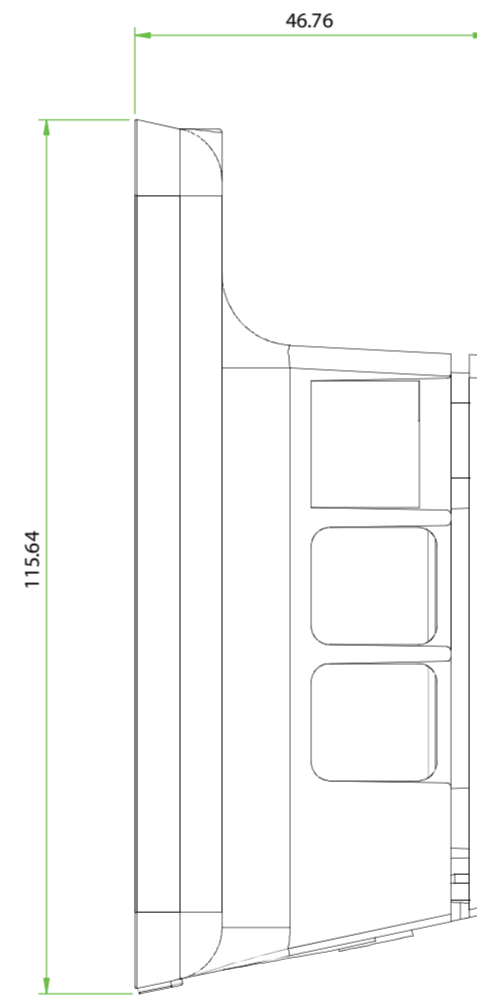
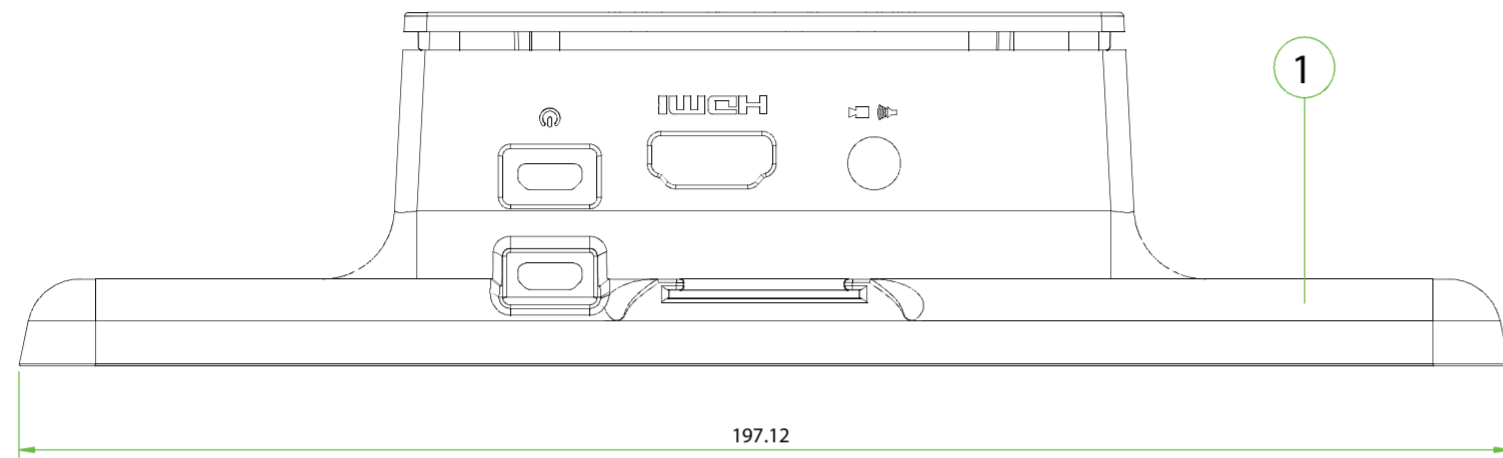
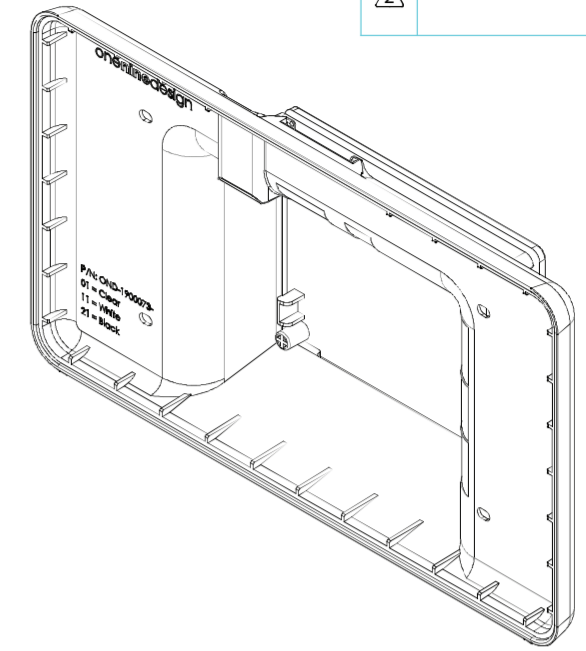
Body Material	ABS
Colour	White
Cut-Out Type	Camera, HDMI
External Dimensions	197.12 x 115.64 x 46.76 mm
For Use With	Raspberry Pi 2 B, Raspberry Pi 3 B, Raspberry Pi B+, Raspberry Pi LCD Touch Screen
Flammability Rating	UL 94 HB

> MECHANICAL COMPONENTS ASSEMBLY <

No.	Component Description	Qty	Part Number
1	Screen case moulding	1	OND-1900073-**-
2	Rear cover moulding	1	OND-1900074-**-
3	Adhesive rubber foot	2	OND-1900008-01

NOTE: \*\* The individual moulding colour will match the assembly colour suffix.

NO.	REVISION	DATE / SIGNED
1	Drawing release	09.11.15 OND
2		



Suffix	Component Description	Comment
-01	Case Assembly - Colour = CLEAR	
-11	Case Assembly - Colour = WHITE	
-21	Case Assembly - Colour = BLACK	

REFER TO 3D CAD DATA FOR TOOL MANUFACTURE

RoHS Compliant: Parts on this document must comply with the requirements and procedures specified in the RoHS compliant hand book - [www.rohs.gov.uk](http://www.rohs.gov.uk)

GENERAL TOLERANCE	
DIM'N	TOL. ±
0 → 6	0.08
7 → 30	0.1
31 → 120	0.2
121 → 300	0.3
301 → 600	0.4
601 → 1200	0.5

NO.	PART NO.	DESCRIPTION	MODEL NO.	MATERIAL	FINISH	QTY
1	ASM-1900035- See Suffix table	TOUCH SCREEN CASE ASSEMBLY	RASPBERRY Pi	ABS UL94HB	REFER TO INDIVIDUAL COMPONENT DRAWING	

THIS DRAWING AND DESIGN ARE THE EXCLUSIVE PROPERTY OF ONE NINE DESIGN. THE DRAWING SHALL NOT BE COPIED OR COMMUNICATED IN ANY FORM WITHOUT PRIOR AUTHORITY FROM ONE NINE DESIGN. [www.oneninedesign.co.uk](http://www.oneninedesign.co.uk)

ALL DIMENSIONS IN mm UNLESS OTHERWISE STATED

SHEET 1 OF 1

THIRD

A2

DRAWN: OND 09.11.15  
CHECKED: OND 09.11.15  
APPROVED: [Signature]  
SCALE: 1:1  
CAD DATA:



## Raspberry Pi 3 Touchscreen Case Assembly

