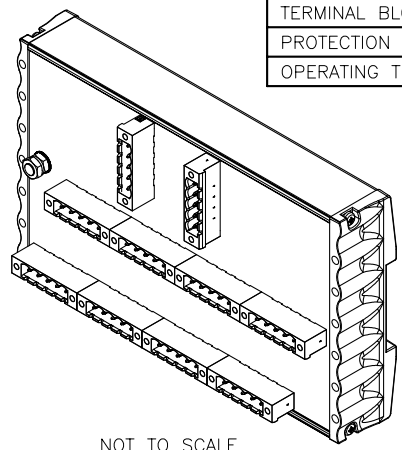
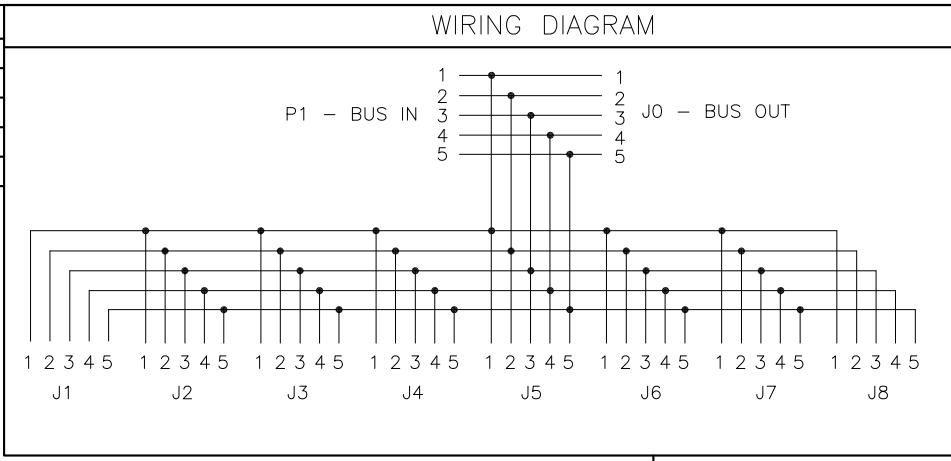


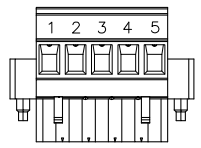
SPECIFICATIONS	
HOUSING MATERIAL/COLOR	EXTRUDED ALUMINUM/GRAY
END CAPS/COLOR	NYLON/GRAY
TERMINAL BLOCK MATERIAL/COLOR	NYLON/BLACK
PROTECTION CLASS	IP 20
OPERATING TEMPERATURE	-30°C to +70°C (-22°F to +158°F)



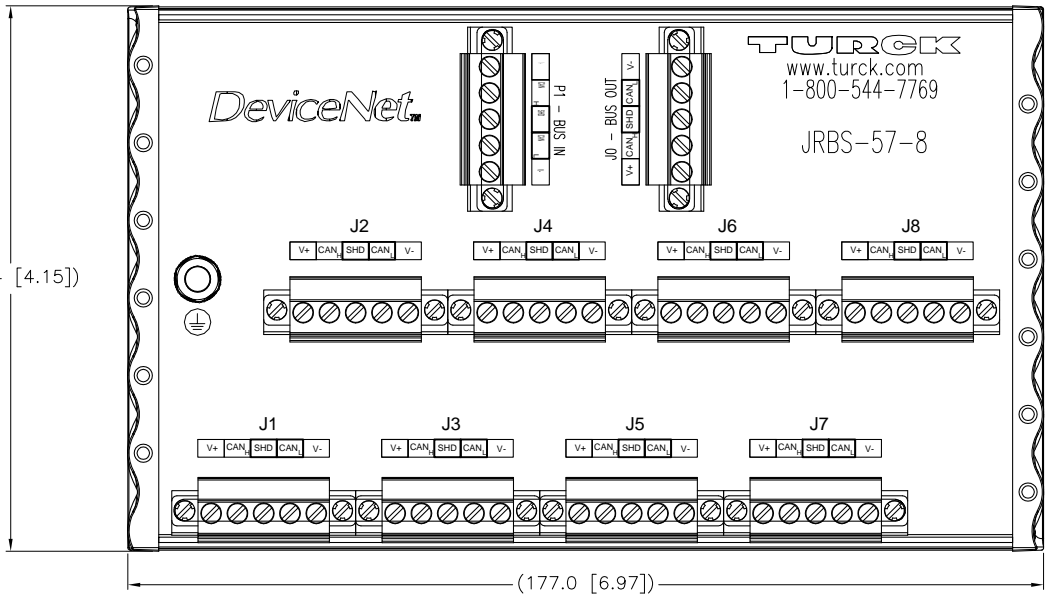
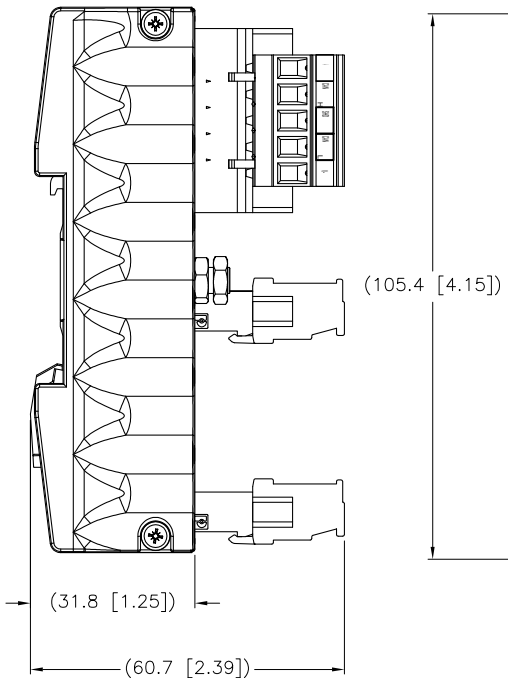
NOT TO SCALE



TERMINAL BLOCK PLUG



- 1 = RED (V+)
- 2 = WHITE (CAN_H)
- 3 = BARE (SHLD)
- 4 = BLUE (CAN_L)
- 5 = BLACK (V-)



RELATED DOCUMENTS	
1.	
2.	
3.	
4.	

3RD ANGLE PROJECTION

ALL DIMENSIONS DISPLAYED ON THIS DRAWING ARE FOR REFERENCE ONLY

CONTACT TURCK FOR MORE INFORMATION

THIS DRAWING IS PROPERTY OF TURCK INC. USE OF THIS DOCUMENT WITHOUT WRITTEN PERMISSION IS PROHIBITED.

DRFT RDS DATE 08/04/06

DSGN SCALE 1=1.5

UNIT OF MEASUREMENT
MILLIMETER [INCH]

DO NOT SCALE THIS DRAWING

3000 CAMPUS DRIVE
MINNEAPOLIS, MN 55441
1-800-544-7769
(763) 553-7300
(763) 553-0708 fax
turck.com

TURCK INC
High Technology Sensors and Automation Controls

DESCRIPTION
JRBS-57-8

IDENTIFICATION NO. **U3-00885** REV **C**

FILE: U3-00885 SHEET 1 OF 1

SOURCE DRAWING - FOR REFERENCE ONLY

REV	DESCRIPTION	BY	DATE	ECO NO.
C	UPDATE DRAWING	MS	09/11/07	18884