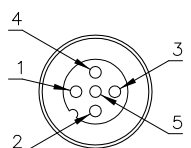
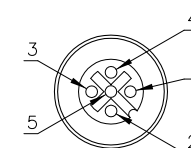
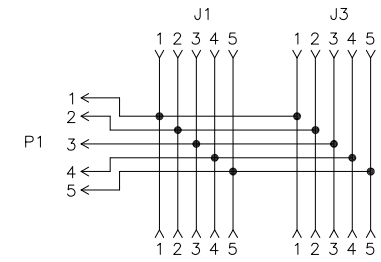
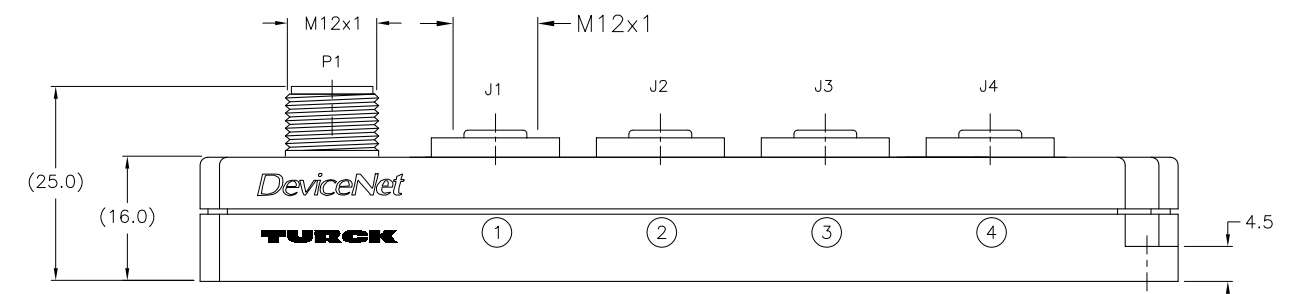
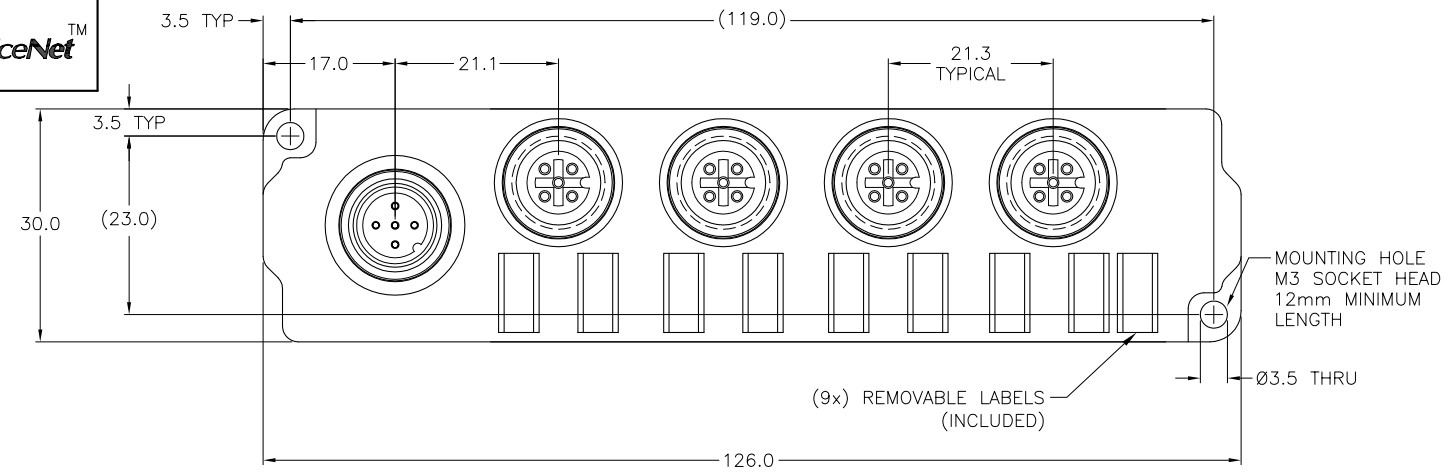
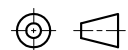


CONNECTOR (P1)	CONNECTORS (J1-J4)	WIRING DIAGRAM	SPECIFICATIONS	
 <p>1 = (SHIELD) 2 = (+ VOLTAGE) 3 = (- VOLTAGE) 4 = (CAN_H) 5 = (CAN_L)</p>	 <p>1 = (SHIELD) 2 = (+ VOLTAGE) 3 = (- VOLTAGE) 4 = (CAN_H) 5 = (CAN_L)</p>		MATING CORDSET	5-PIN FEMALE EURO
			HOUSING MATERIAL/COLOR	NYLON/BLUE-GREY
RECEPTACLE MATERIAL/FINISH	BRASS/NICKEL (P1), (J1-J4)			
CONTACT CARRIER MATERIAL/COLOR	NYLON/BLACK (P1), (J1-J4)			
CONTACTS	GOLD-PLATED BRASS			
OPERATING VOLTAGE	250 V			
OPERATING CURRENT	4.0 A TOTAL			
PROTECTION CLASS to DIN 40050	IP 67 - ONLY WHEN ALL RECEPTACLES ARE COVERED WITH PLUGS OR CONNECTED			
OPERATING TEMPERATURE	-30°C to 80°C (-22°F to 176°F)			



SOURCE DRAWING - FOR REFERENCE ONLY

RELATED DOCUMENTS 1. 2. 3. 4.	3RD ANGLE PROJECTION 	THIS DRAWING IS PROPERTY OF TURCK INC. USE OF THIS DOCUMENT WITHOUT WRITTEN PERMISSION IS PROHIBITED.		3000 CAMPUS DRIVE MINNEAPOLIS, MN 55441 1-800-544-7769 (763) 553-7300 (763) 553-0708 fax turck.com	
	MATERIAL SEE SPECIFICATIONS	ALL DIMENSIONS DISPLAYED ON THIS DRAWING ARE FOR REFERENCE ONLY	DRFT MDS DATE 07/08/04	DESCRIPTION JBBS-57-FS-E424	
FINISH SEE SPECIFICATIONS	DSGN GC SCALE 1=1.0		UNIT OF MEASUREMENT MILLIMETERS		IDENTIFICATION NO. U9657
B UPDATE HOUSING FROM BLACK TO BLUE/GREY RDS 10/28/05 13936	REV DESCRIPTION BY DATE ECO NO.	DO NOT SCALE THIS DRAWING		FILE: U9657	SHEET 1 OF 1

B	UPDATE HOUSING FROM BLACK TO BLUE/GREY	RDS	10/28/05	13936
REV	DESCRIPTION	BY	DATE	ECO NO.