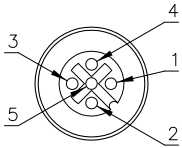
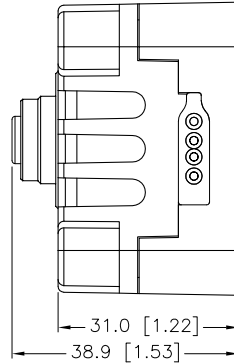
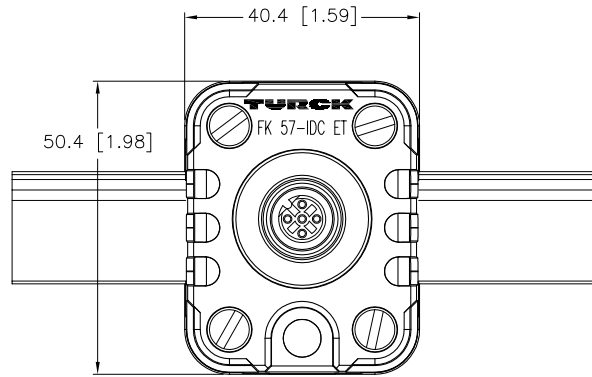


FEMALE END VIEW



- 1 = BARE (SHIELD)
- 2 = RED (+ VOLTAGE)
- 3 = BLACK (- VOLTAGE)
- 4 = WHITE (CAN_H)
- 5 = BLUE (CAN_L)

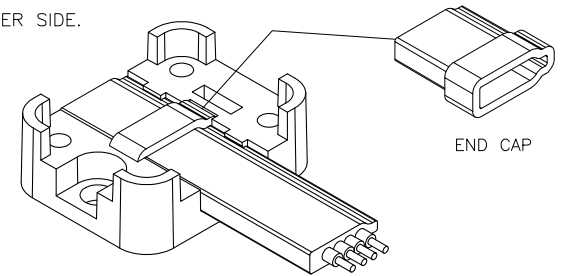


SPECIFICATIONS

CONTACT CARRIER MATERIAL/COLOR	TPU/BLUE
CONTACT MATERIAL/PLATING	BRASS/GOLD
RATED CURRENT [A]	4.0 A
RATED VOLTAGE [V]	250 V
RECEPTACLE HOUSING MATERIAL/PLATING	BRASS/NICKEL
TOP & BASE MATERIAL/COLOR	BLACK NYLON 6/6
CONDUCTORS	IDC PINS
TEMPERATURE RATING	-40°C to +80°C (-40°F to +176°F)
MOUNTING HOLE	1/4 - 20 SOCKET HEAD SCREW
PROTECTION CLASS	MEETS NEMA 1,3,4,6,13 AND IEC IP67
SPACINGS (EURO)	TO VDE 0110 GROUP C

WHEN USING WITH JUST ONE CABLE;
USE END CAP.
CAN BE USED ON EITHER SIDE.

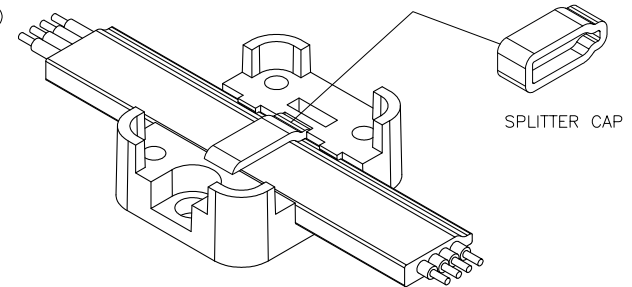
(TOP REMOVED
TO SHOW DETAIL)



END CAP

WHEN USING WITH TWO CABLES;
USE SPLITTER CAP.

(TOP REMOVED
TO SHOW DETAIL)



SPLITTER CAP

SOURCE DRAWING - FOR REFERENCE ONLY

ASSEMBLY INSTRUCTIONS:

- 1) PLACE BOTTOM BRACKET ONTO FLAT CABLE IN DESIRED LOCATION OF CONNECTOR.
- 2) ALIGN TOP ASSEMBLY ONTO BOTTOM BRACKET.
- 3) SQUEEZE TOP ASSEMBLY AND BOTTOM BRACKET TOGETHER TO INITIATE PIERCING OF FLAT CABLE.
- 4) TIGHTEN SCREWS IN A AN "X" PATTERN UNTIL ALL SCREWS ARE TIGHTENED.
- 5) INSTALL MOUNTING SCREW TO SECURE CONNECTOR ASSEMBLY.

RELATED DOCUMENTS		3RD ANGLE PROJECTION		THIS DRAWING IS PROPERTY OF TURCK INC. USE OF THIS DOCUMENT WITHOUT WRITTEN PERMISSION IS PROHIBITED.		 High Technology Sensors and Automation Controls		3000 CAMPUS DRIVE MINNEAPOLIS, MN 55441 1-800-544-7769 (763) 553-7300 (763) 553-0708 fax turck.com	
1. 2. 3. 4.				DRFT	RDS	DATE	03/21/05	DESCRIPTION	
MATERIAL		ALL DIMENSIONS DISPLAYED ON THIS DRAWING ARE FOR REFERENCE ONLY		DSGN		SCALE	1=1.3	FK 57-IDC ET	
FINISH		CONTACT TURCK FOR MORE INFORMATION		UNIT OF MEASUREMENT		IDENTIFICATION NO.		REV	
C		DRAWING PROCESSED AS PART OF ECO 33971		MILLIMETER [INCH]		U3-00274		C	
REV	DESCRIPTION	BY	DATE	ECO NO.	DO NOT SCALE THIS DRAWING		FILE: U3-00274		SHEET 1 OF 1

C	DRAWING PROCESSED AS PART OF ECO 33971	CBM	04/07/11	33971
REV	DESCRIPTION	BY	DATE	ECO NO.