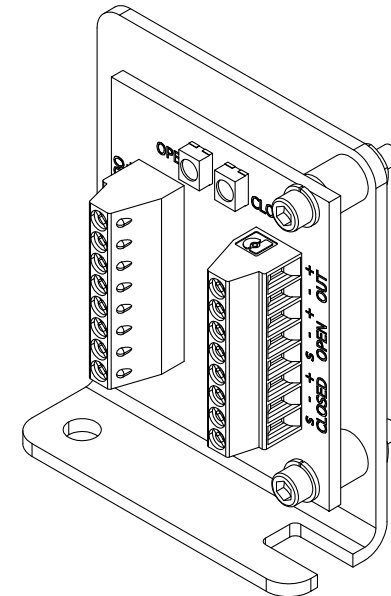
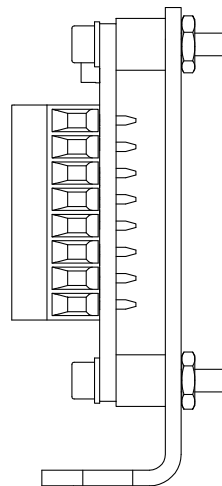
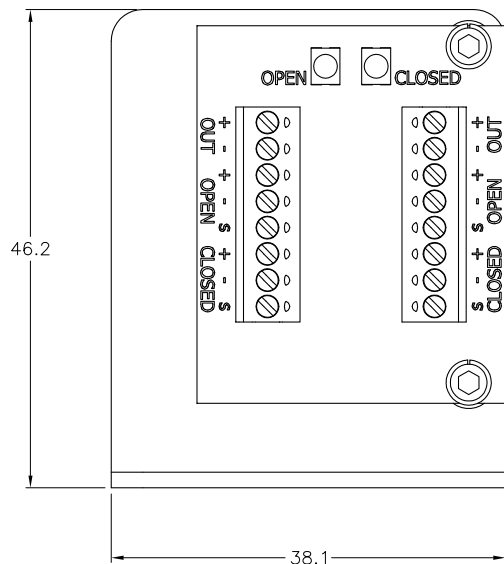
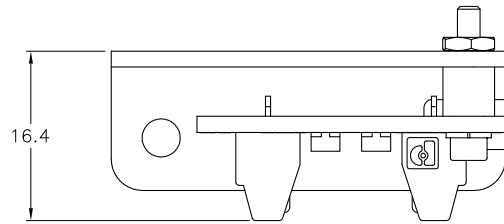


SPECIFICATIONS

TERMINAL BLOCK MATERIAL	NYLON				
RATED VOLTAGE [V]	125 V				
RATED CURRENT [A]	6.0 A				
ACCEPTABLE CONDUCTORS [AWG]	20-30 AWG				
LED INDICATORS:	<table style="width: 100%; border: none;"> <tr> <td style="width: 50%; text-align: center;">GREEN</td> <td>FULL OPEN</td> </tr> <tr> <td style="text-align: center;">RED</td> <td>FULL CLOSED</td> </tr> </table>	GREEN	FULL OPEN	RED	FULL CLOSED
GREEN	FULL OPEN				
RED	FULL CLOSED				



SOURCE DRAWING - FOR REFERENCE ONLY

RELATED DOCUMENTS 1. 2. 3. 4.	3RD ANGLE PROJECTION 	THIS DRAWING IS PROPERTY OF TURCK INC. USE OF THIS DOCUMENT WITHOUT WRITTEN PERMISSION IS PROHIBITED.		3000 CAMPUS DRIVE MINNEAPOLIS, MN 55441 1-800-544-7769 (763) 553-7300 (763) 553-0708 fax turck.com	
	MATERIAL	ALL DIMENSIONS DISPLAYED ON THIS DRAWING ARE FOR REFERENCE ONLY CONTACT TURCK FOR MORE INFORMATION	DRFT DF	DATE 02/14/06	DESCRIPTION FDB-PCB-BKT
FINISH	DSGN DF		SCALE 1=.8	IDENTIFICATION NO. F0222	
		UNIT OF MEASUREMENT MILLIMETERS			REV A
		DO NOT SCALE THIS DRAWING		FILE: F0222	SHEET 1 OF 1

A	DRAWING RELEASE	DF	02/28/06	
REV	DESCRIPTION	BY	DATE	ECO NO.