

FAS20-4S-R



This module has four inputs. Inputs are protected against short-circuit as a group. If any input has shorted, the entire group of inputs are disconnected from bus power.

The PLC is informed of short conditions via the AS-interface® peripheral fault bit. The fault bit indicates that all of the inputs are no longer powered.

The node address can be set using an AS-i handheld addressing tool or via software through the AS-i master.

This station supports extended address mode (1-31 A/B).

Integrated Design:

- AS-interface® station
- Four inputs

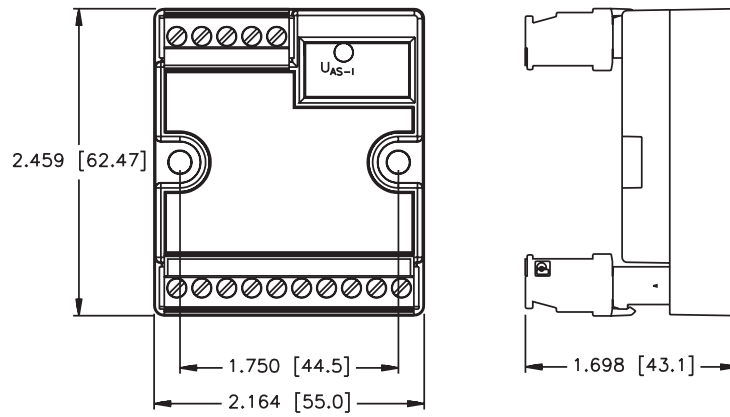
Applications:

- For dry environments
- For use with four 3-wire discrete sensors

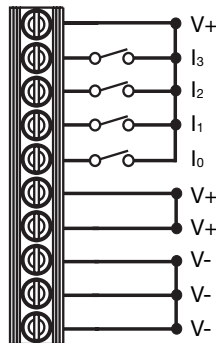
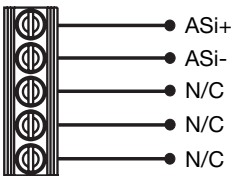
Features:

- PNP short-circuit protected inputs
- Glass filled nylon with nickel plated brass connectors
- Removable terminal blocks

Dimensions:



Terminal Wiring:



FAS20-4S-R

Module Specifications:

Electrical

Operating Voltage	18-31 Volts (from AS-i Network)
Internal Current Consumption	25 mA plus sum of sensor currents (from AS-i Network)

Input Circuits

Input Short-Circuit (I_{max})	130 mA (from AS-I Line)
I_{out} (max)	100 mA (for sensors)
Input Signal State	Off < 2mA
	On = 3.0 – 3.4 mA
Input Delay	2.5 ms

LED Indications

AS-i Network LED	Off = Off
	Green = On
	Red/Green = Fault

Device Address

Address Adjustment	1A – 31A / 1B – 31B (v3.0)
--------------------	----------------------------

Mechanical

Material	Nylon
Operating Temperature	-13° to +158°F (-25° to +70°C)
Protection	IP20

Data and Parameter Bit:

I/O Data	D ₃	D ₂	D ₁	D ₀	IO Code 7 ID Code A ID2 Code E
	I_3	I_2	I_1	I_0	
Parameter Group	P ₃	P ₂	P ₁	P ₀	
	Not Used	Not Used	Not Used	IGS Enable	

Current parameter P₀ represents IGS and OGS simultaneously.
I/O faults are reported via the AS-i peripheral fault bit.