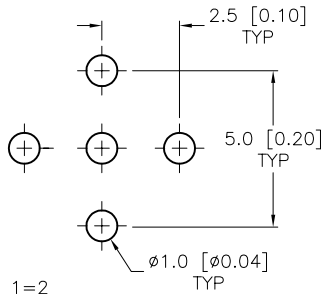
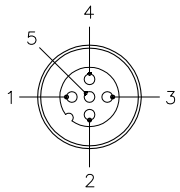


MALE END VIEW

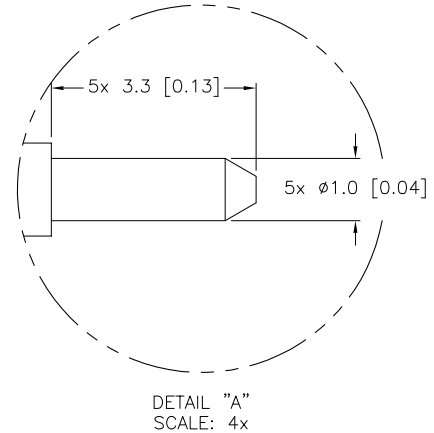
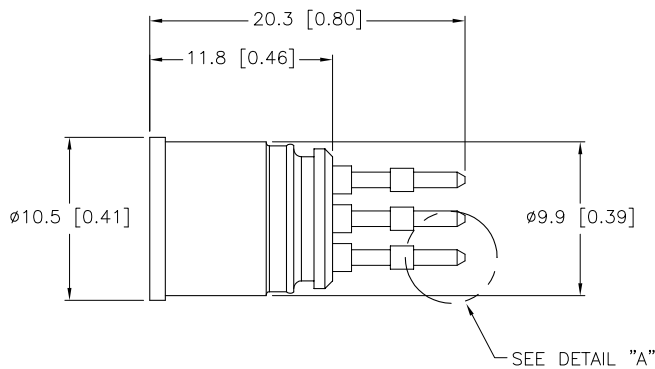
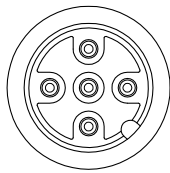
BOARD LAYOUT TYPICAL

SPECIFICATIONS

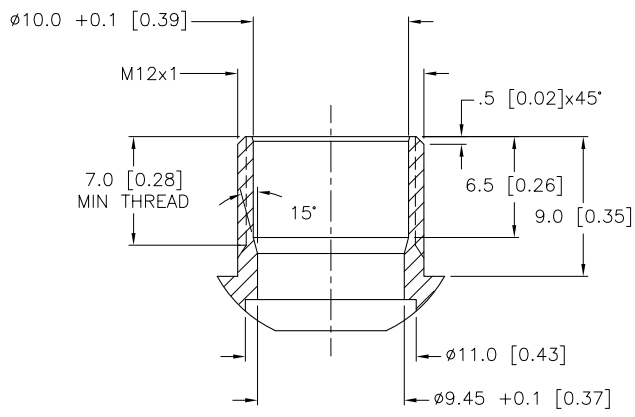


SCALE: 1=2

CONTACT CARRIER MATERIAL	NYLON OR TPU
CONTACT MATERIAL/PLATING	BRASS/GOLD
RATED CURRENT [A]	4.0 A
RATED VOLTAGE [V]	250 V
NUMBER OF CONDUCTORS [AWG]	PRINTED CIRCUIT PINS
TEMPERATURE RATING	-30°C TO +80°C (-22°F TO +176°F)



DETAIL "A"
SCALE: 4x



MOUNTING BORE
(TYPICAL)

SOURCE DRAWING - FOR REFERENCE ONLY

RELATED DOCUMENTS 1. 2. 3. 4.	3RD ANGLE PROJECTION	THIS DRAWING IS CONFIDENTIAL AND THE PROPERTY OF TURCK INC. USE OF THIS DOCUMENT WITHOUT WRITTEN PERMISSION IS PROHIBITED.			3000 CAMPUS DRIVE MINNEAPOLIS, MN 55441 1-800-544-7769 (763) 553-7300 (763) 553-0708 fax turck.com	
			DRFT RWC	DATE 10/02/06	DESCRIPTION EWASK 4.5-PCB(10/BAG)	
MATERIAL SEE SPECIFICATIONS	ALL DIMENSIONS DISPLAYED ON THIS DRAWING ARE FOR REFERENCE ONLY	APVD	SCALE 1=.5	IDENTIFICATION NO. A9308		
FINISH SEE SPECIFICATIONS		UNIT OF MEASUREMENT MILLIMETER [INCH]		REV C		
DO NOT SCALE THIS DRAWING		FILE: A9308		SHEET 1 OF 1		

C	DRAWING PROCESSED AS PART OF ECO 37423	KMY	12/08/11	37423
REV	DESCRIPTION	BY	DATE	ECO NO.