

Datasheet

RS Pro Grey 1 Gang Steel Metal Clad Unswitched Electrical Socket, Type G - British, 13A, Surface Mount, IP20

RS Stock No: **768-3501**



Product Details

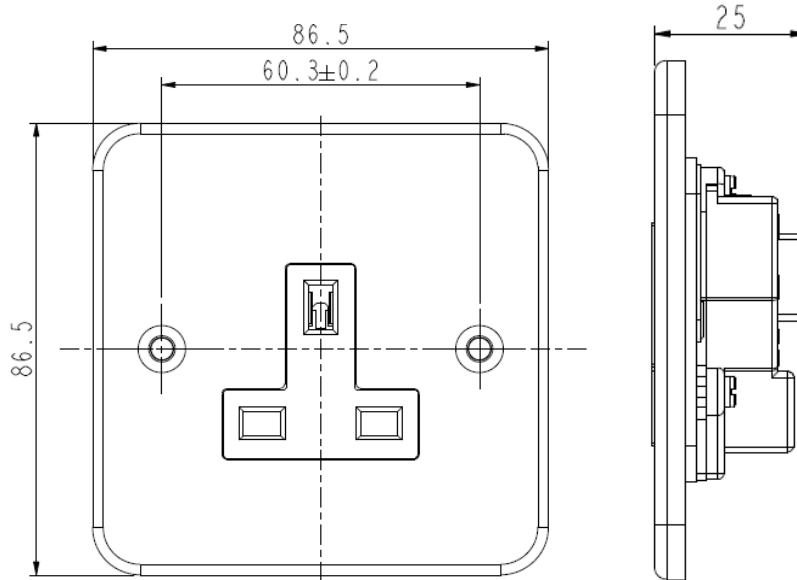
RS Pro 1-gang unswitched power socket has steel construction. This type G - British socket in grey colour, has matte finishing. It is suitable industrial, commercial and workshop applications with a current requirement of up to 13 A. The IP20 rated device offers superior protection.

Features and Benefits

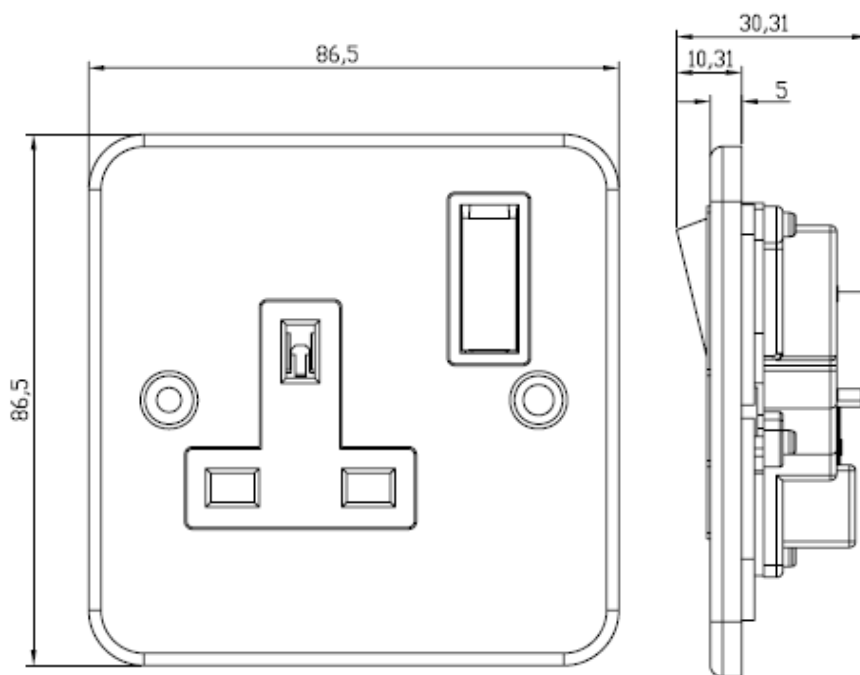
- 13 A socket
- BS1363 standards
- Comes in matte grey finish

Specifications:

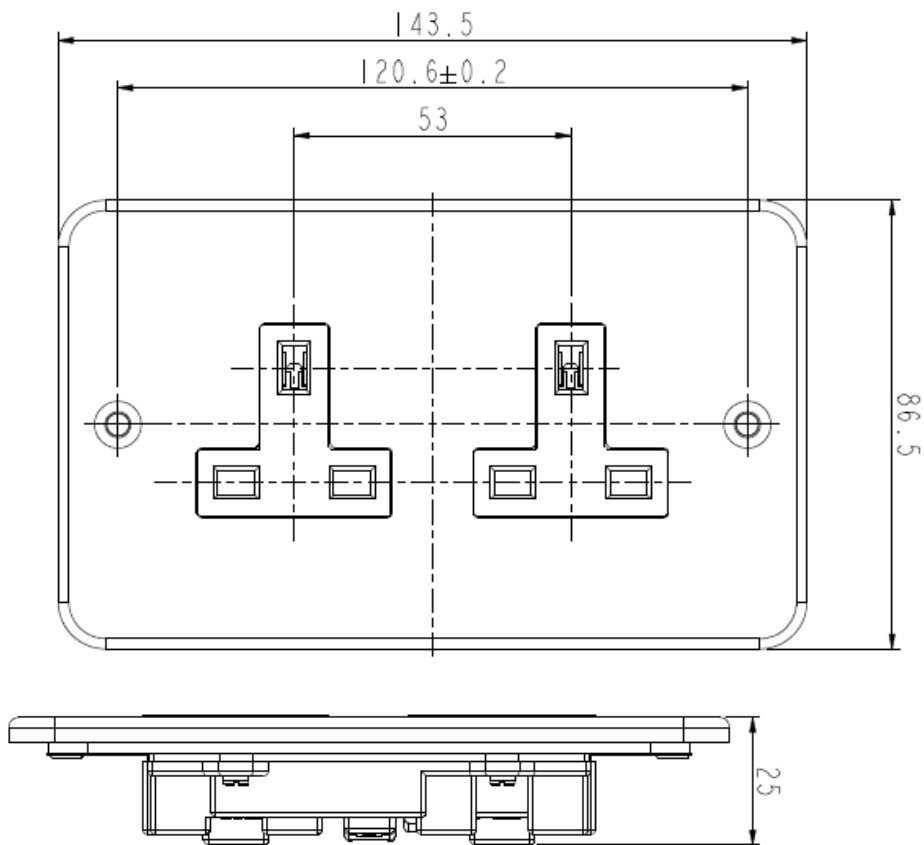
Colour Family	Grey
Colour	Grey
Current Rating	13 A
Earth Terminal	Yes
Faceplate Depth	5 mm
Faceplate Mounting Type	Screwed
Finish	Matt
Fixing Standard	BS
International Protection Rating	IP20
Material	Steel Metal Clad
Mounting Style	Surface Mount
Number of Gangs	1
Number of Modules	1
Number of Poles	0
Overall Depth	25 mm
Overall Dimensions	86.5 x 86.5 x 25 mm
Overall Height	86.5 mm
Overall Width	86.5 mm
Socket Type	Type G - British
Switch Style	Rocker
Switched	No
Terminal Type	Screw
Voltage Rating	230 V ac



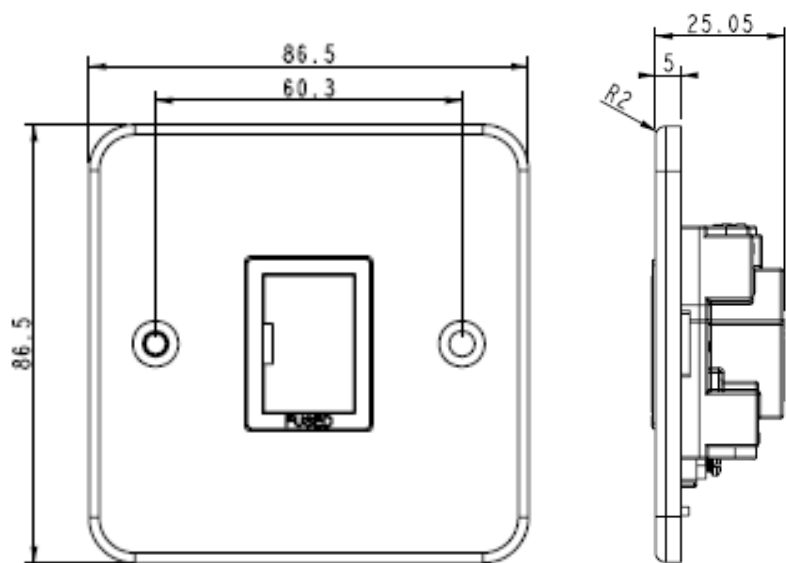
13A METALCLAD SINGLE SOCKET RS Stock No.: 768-3501



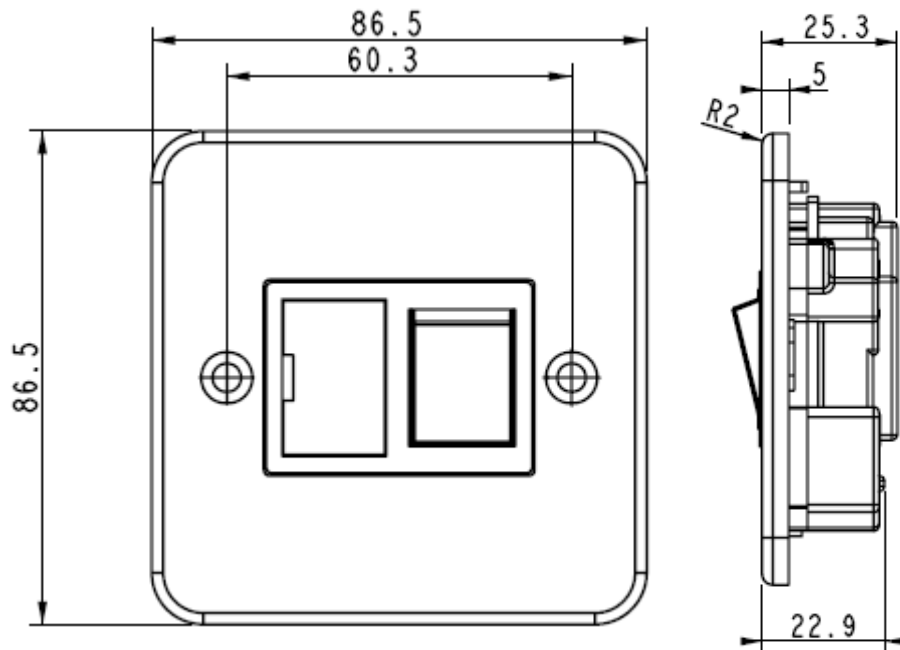
13A METALCLAD SINGLE SWITCHED SOCKET, WHITE INSERT RS Stock No.: 768-3504



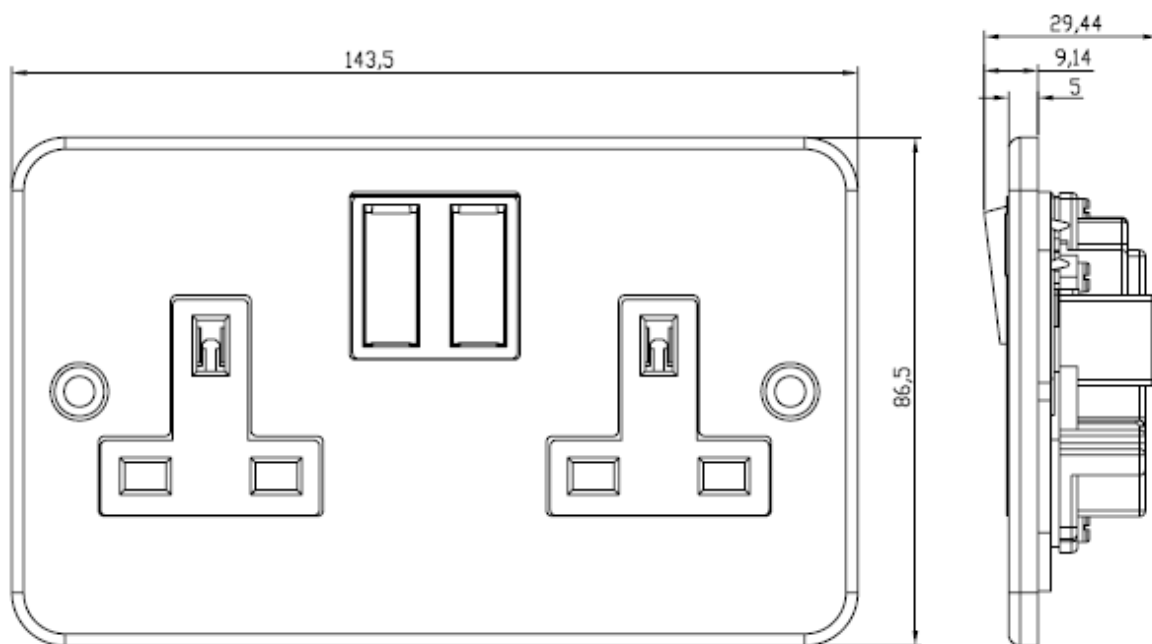
13A METALCLAD TWIN SOCKET RS Stock No.: 768-3508



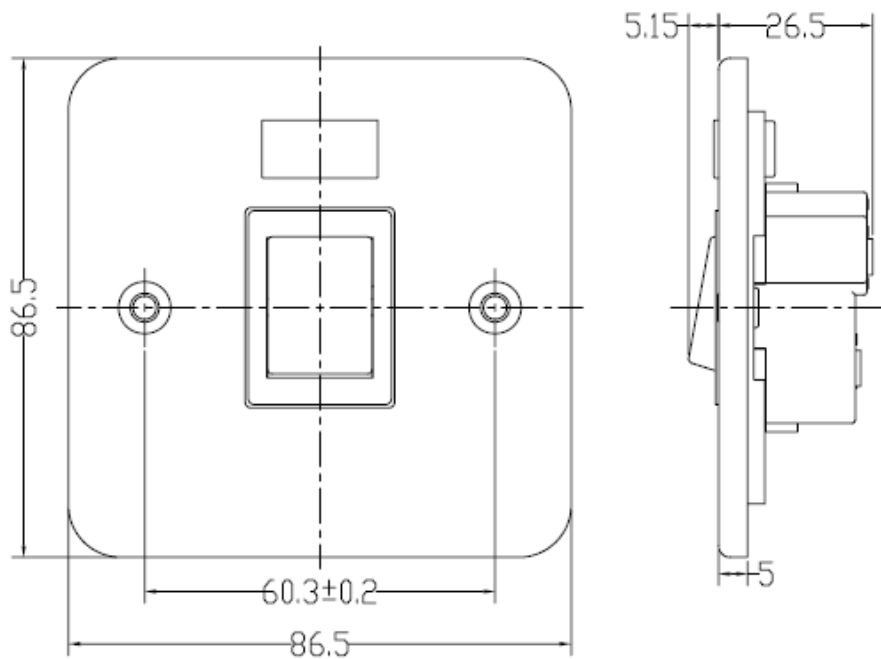
13A METALCLAD FUSED SPUR UNIT RS Stock No.: 768-3510



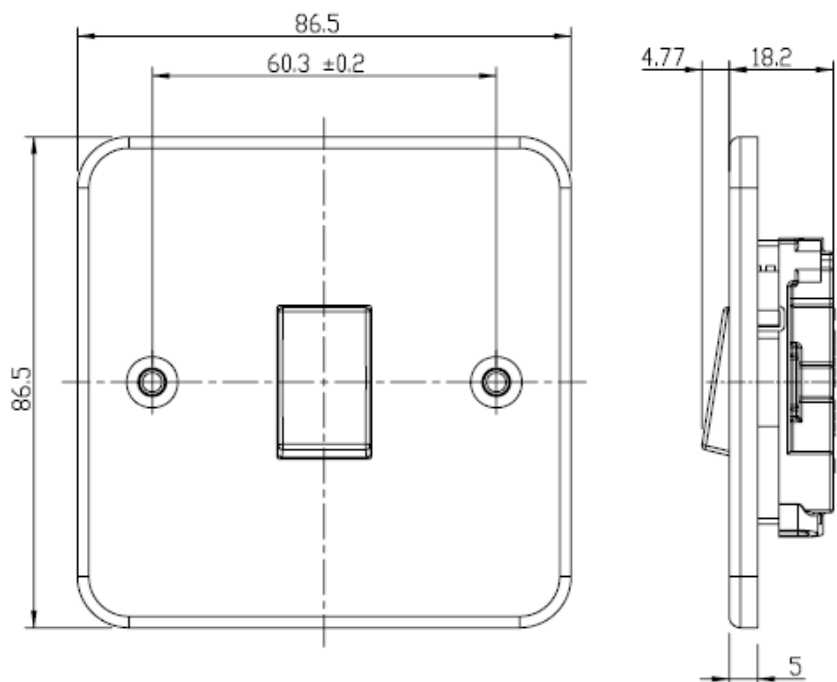
13A METALCLAD FUSED & SWITCHED DP SPUR RS Stock No.: 768-3514



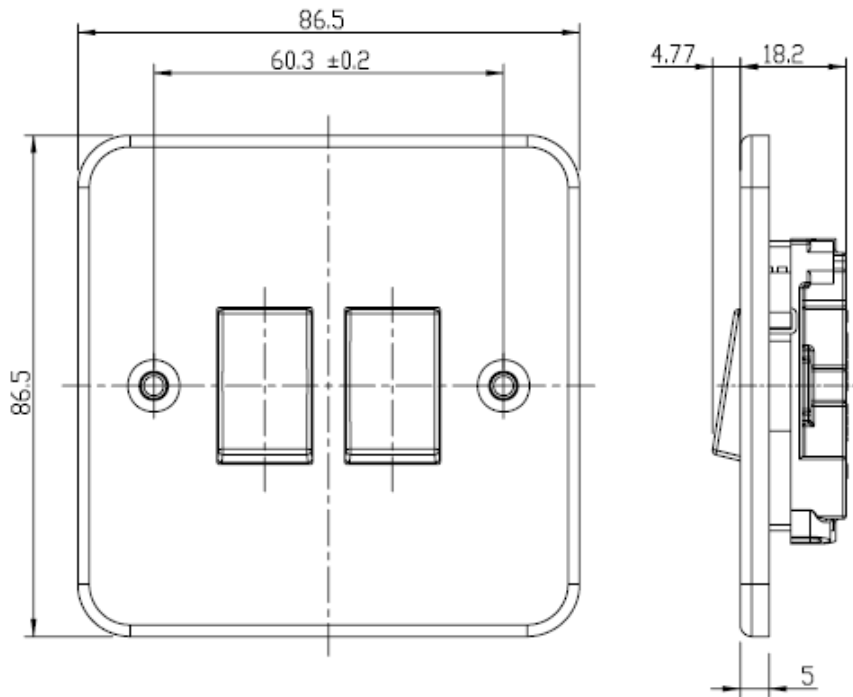
13A METALCLAD TWIN SWITCHED SOCKET RS Stock No: 768-3517



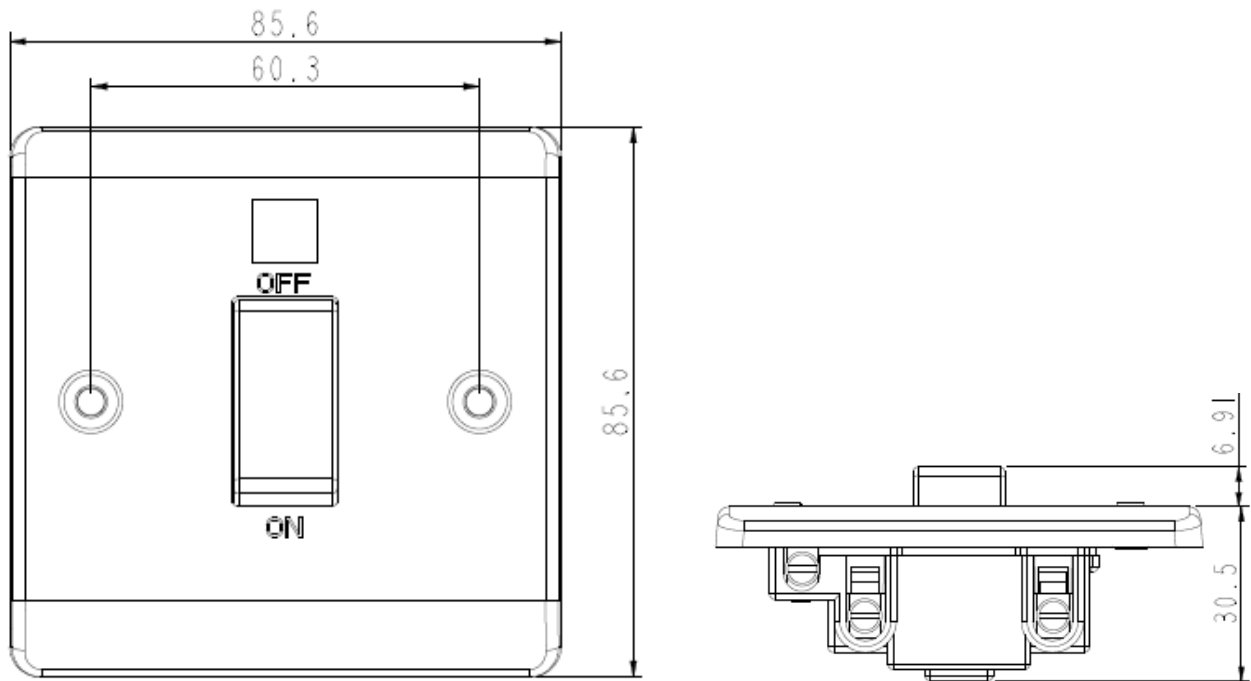
20A DP METALCLAD SWITCH WITH NEON RS Stock No.: 768-3520



1 GANG METALCLAD SWITCH RS Stock No.: 768-3523



2 GANG METALCLAD SWITCH RS Stock No.: 768-3526



45A DP METALCLAD SWITCH WITH NEON RS Stock No.: 768-3539