



ENGLISH

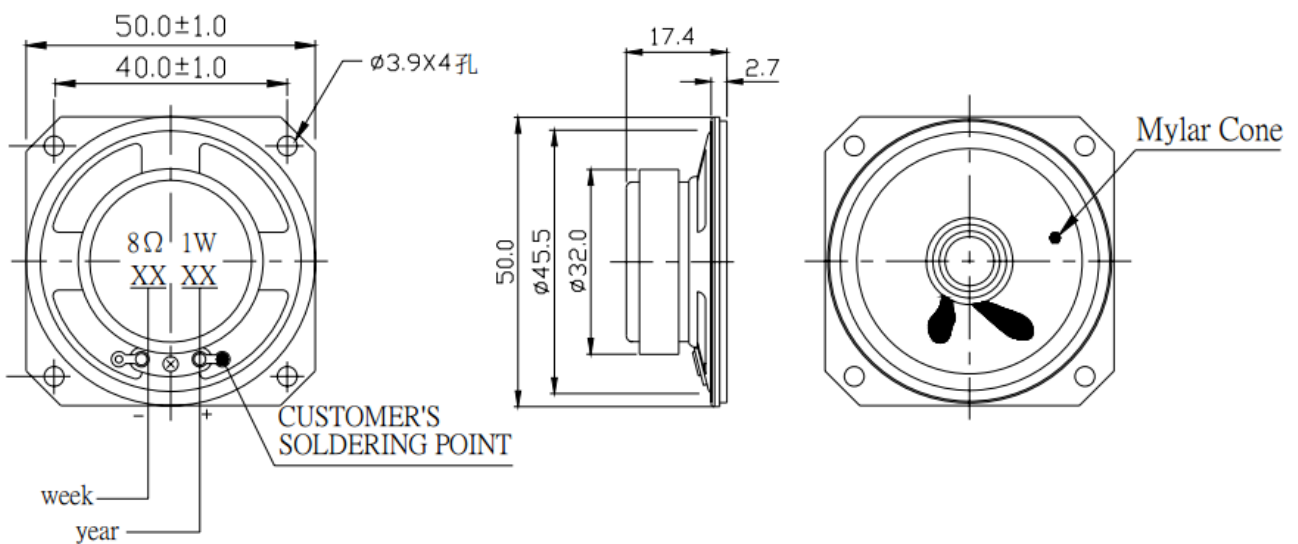
Datasheet

RS Speaker Driver, 1W nom, 8Ω

RS Stock 628-4715



Dimensions: (mm)



Tol: ± 0.5
Unit : mm