



ENGLISH

Datasheet

Stock No: 549-277

RS Pro 24V @ 7A 3 Stage Lead Acid & Automotive Battery Charger, UK Plug



24V 3 Stage Lead Acid Battery Chargers

High Quality range of Automatic 3 Stage 24V Lead Acid Battery Chargers, Charging Current(s) of 2~25A with many models provided in Aluminium impact resistant casing and supplied with UK and EU Mains Leads & Crocodile Clip Connectors

3 Stage Control (Fast/Normal/Float)

Full Charge with Automatic Shutdown

Short Circuit Output Protected

Most models with 115/230V input range

Reverse Polarity Protected

Overload Protected

Compliant to safety standards

LED Indicator Included

RoHS & CE Directive Compliant

UK / EU Plug

Lead Acid

Key Specifications/Special Features:

- Characteristics:
 - Multi-step charger setup and auto shutdown (tri-step)
 - Fast charger, normal charger, average charger
 - Voltage with auto sensor battery
 - Anti-reverse voltage protect device
 - Full charge with auto shutdown
 - Fast charge transferred into slow charge
 - Output short-circuit protection
 - Overload protection
 - Universal input voltage suitable for worldwide use
 - LED status display
- Properties:
 - Input voltage: 110VAC to 220VAC +/-10% auto SW
 - Input frequency: 50/60Hz
 - Output current:
 - AC0324A: 3A
 - AC0412A: 4A
 - AC0424A: 4A
 - Output equalizer DC voltage:
 - AC0324A: 29.2VDC
 - AC0412A: 14.6VDC
 - AC0424A: 29.2VDC
 - Output floating DC voltage:
 - AC0324A: 27.4VDC
 - AC0412A: 13.7VDC
 - AC0424A: 27.4VDC
 - Dimensions (L x W x H): 186 x 88x 47.5mm
 - Net weight: 0.8kg
- Other models AC 0312A/ AC 0512A/AC 0524A/ AC 0612A/AC 0624A/ AC 0712A/ AC 0724A/ AC 0812A/ AC 1012A /AC 1212A are also available

OPERATION MANUAL

- **Caution**

- (1) Before using the battery charger - please read all instructions and cautionary markings.
- (2) Use the battery charger in a well ventilated area – for indoor use only.
- (3) To avoid the risk of injury, charge only lead-acid or gel cell type rechargeable batteries.
- (4) Beware of correct polarity. (5) Slight heat on the exterior while charging.
- (6) Avoid exposure to heat (7) Please remove the plug from AC power outlet after charging

- **Instruction of charging procedure**

- (1) Connect correct polarized clips to battery terminals.
- (2) Connect to mains and switch on. Then charging starts – Red (2A) / Orange (3A~12A) LED light.
- (3) At green light keep charging for a couple of hours for complete charging.
- (4) When charging finished (Green LED), disconnect from mains and remove clips from battery.
- (5) Charging can continue in "Float stage" without harming the battery.

- **LED Indication**

2A Charger

RED : Charging

GREEN : Full charged

3A ~ 12A Charger

LED1 : RED → Power on

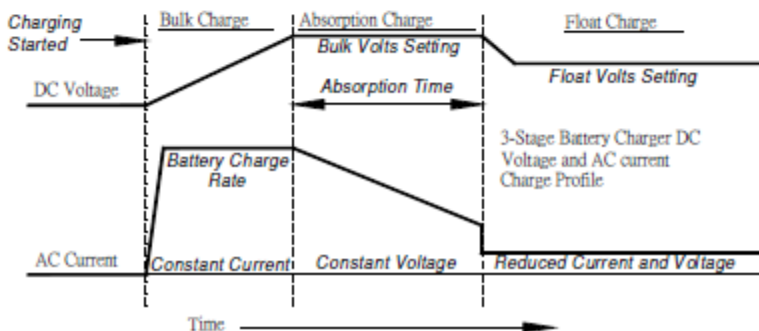
LED2 : ORANGE → Charging

GREEN → Full charged

- **FAN Control (3A ~ 12A only)**

- 1) Fan on fast speed (Bulk/ Absorption Charge)
- 2) Fan on slow speed (Float Charge)

- **Charging Curve**



● Specification_12V System

| MODEL | AC 0212A | AC 0312A | AC 0412A | AC 0512A | AC 0612A | AC 0712A | AC 0812A | AC 1012A | AC 1212A |
|---------------------------|----------------------|---------------------------------|----------|----------|----------|----------|----------|----------|----------|
| Input Voltage (Vac) | 100-240 | 115 / 230 \pm 10% Auto Switch | | | | | | | |
| Input Frequency | 50 / 60Hz | | | | | | | | |
| Output Current | 2A | 3A | 4A | 5A | 6A | 7A | 8A | 10A | 12A |
| Output Equalizer Voltage | 14.6 Vdc \pm 0.2 V | | | | | | | | |
| Output Float Voltage | 13.7 Vdc \pm 0.2 V | | | | | | | | |
| Battery Application | Lead Acid Battery | | | | | | | | |
| Dimensions (L x W x H) mm | 120 x 61.6 x 37.4 | 186 x 88 x 47.5 | | | | | | | |
| Weight | 0.5 kgs | 0.8 Kgs | | | | | | | |

● Specification_24V System

| MODEL | AC 0224A | AC 0324A | AC 0424A | AC 0524A | AC 0624A | AC 0724A |
|---------------------------|----------------------|-------------------------------------|----------|----------|----------|----------|
| Input Voltage | 100-240Vac | 100V / 220Vac \pm 10% Auto Switch | | | | |
| Input Frequency | 50 / 60Hz | | | | | |
| Output Current | 2A | 3A | 4A | 5A | 6A | 7A |
| Output Equalizer Voltage | 29.2 Vdc \pm 0.2 V | | | | | |
| Output Float Voltage | 27.4 Vdc \pm 0.2 V | | | | | |
| Battery Application | Lead Acid Battery | | | | | |
| Dimensions (L x W x H) mm | 120 x 61.6 x 37.4 | 186 x 88 x 47.5 | | | | |
| Weight | 0.5 kgs | 0.8 Kgs | | | | |

● Troubleshooting

| Problem and Symptoms | Possible Reason | Solution |
|--|---|---|
| If power LED indicator is off and no output voltage, when charger plug in socket. | 1. No AC input 2. Charger malfunction | 1. Check AC power source. 2. Notify service center |
| If commercial power is normal. But charging indicate LED (Equalizer) is off when charging. | 1. The polarity connection maybe reversed. 2. The output connection maybe short or open. 3. Output DC fuse loose (for 3A~12A) 4. Charger malfunction | 1. Check output cable 2. Check output cable 3. Check output DC fuse (for 3A~12A) 4. Notify service center |
| If commercial power is normal. But charging indicate LED (Equalizer) is light for a long time. | 1. Battery malfunction 2. Charger malfunction | 1. The battery can not charge normally, please stop charging and have battery replaced. 2. Notify service center |
| If the charging Indicator from off turns to on (fully charged) immediately. | 1. Battery fully charged. 2. Battery malfunction. | It means the battery is not fully charged and it may be defective. Please have battery replaced. |