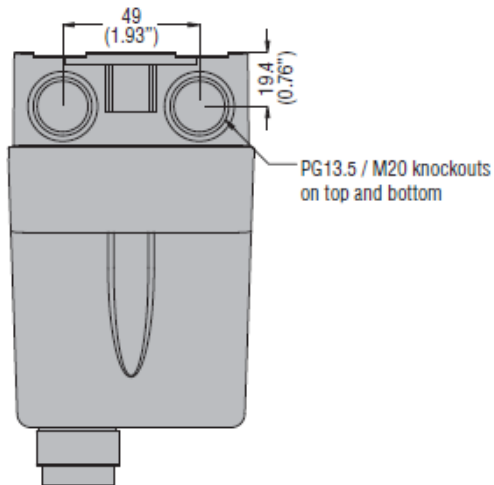
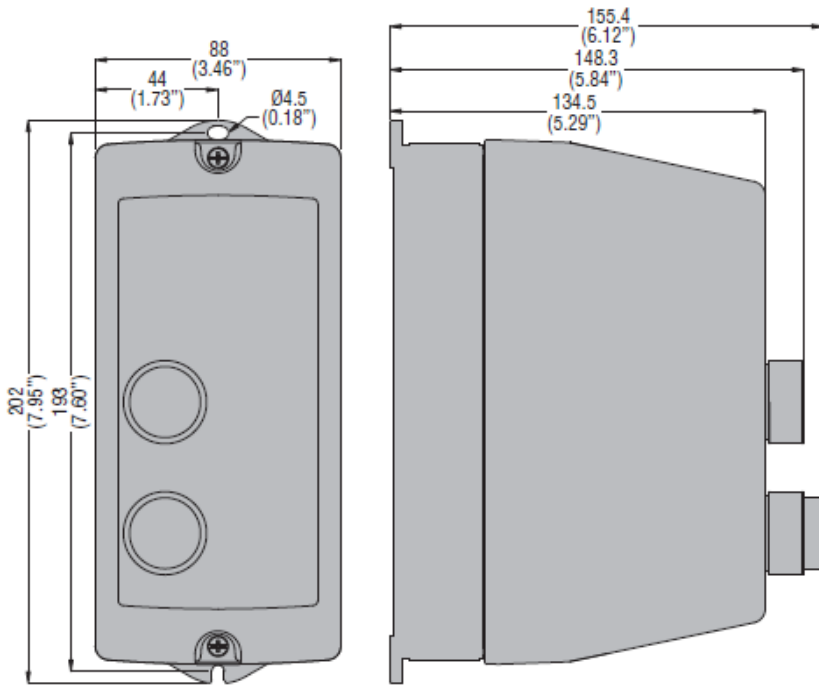
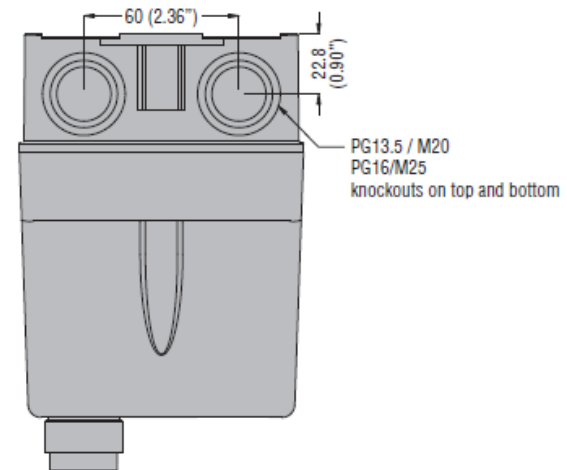
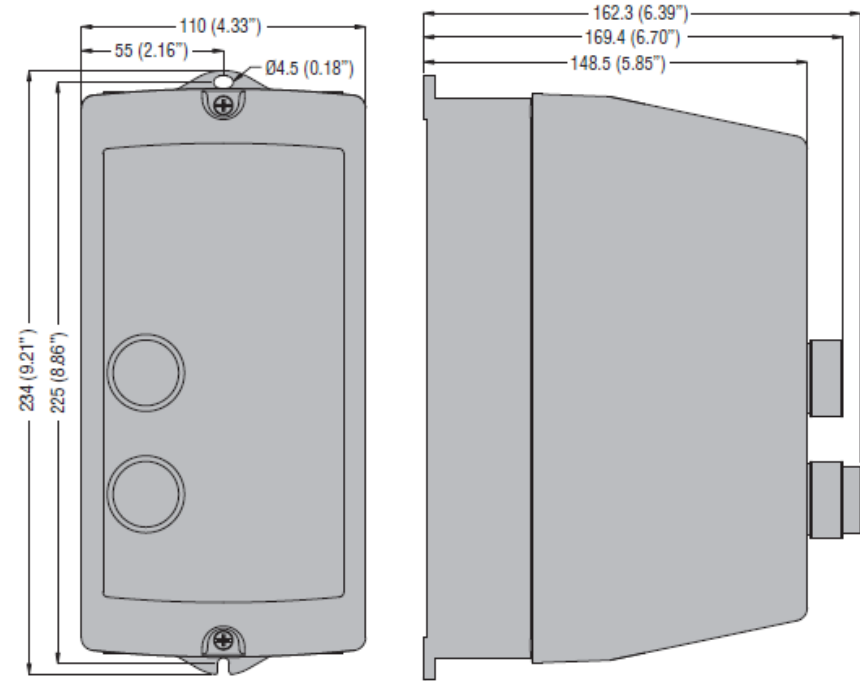




DOLS5.5....., DOLS7.5.....

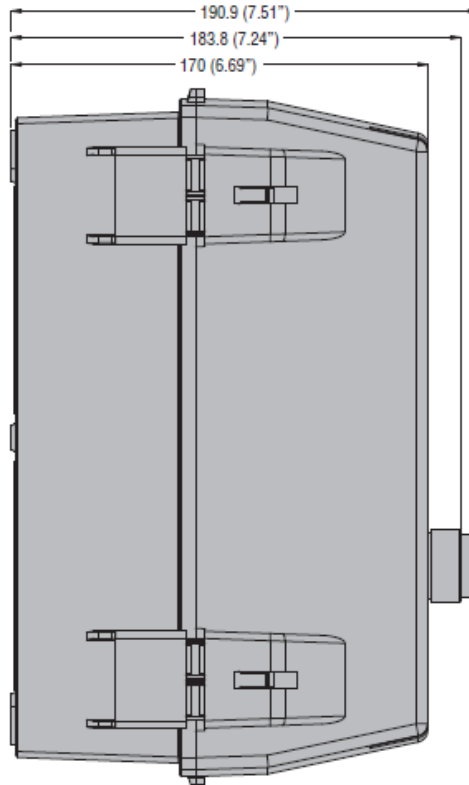
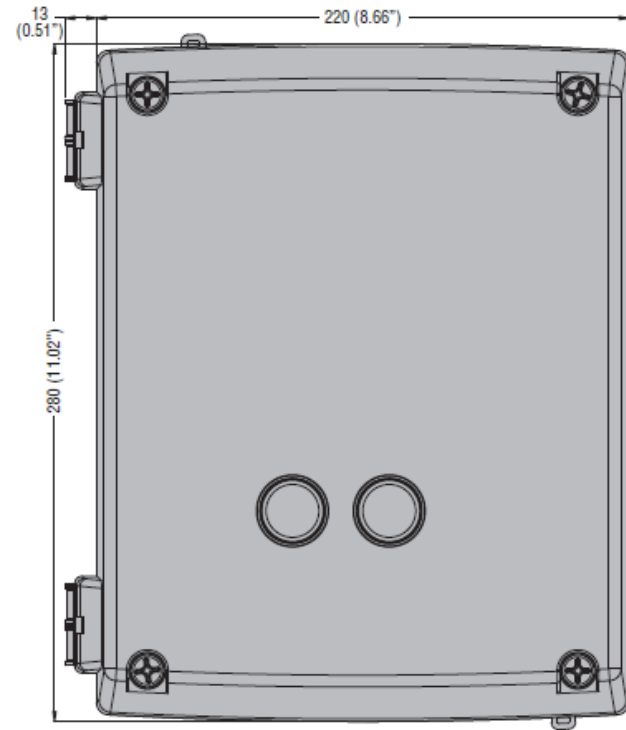


DOLS11....., DOLSW.....

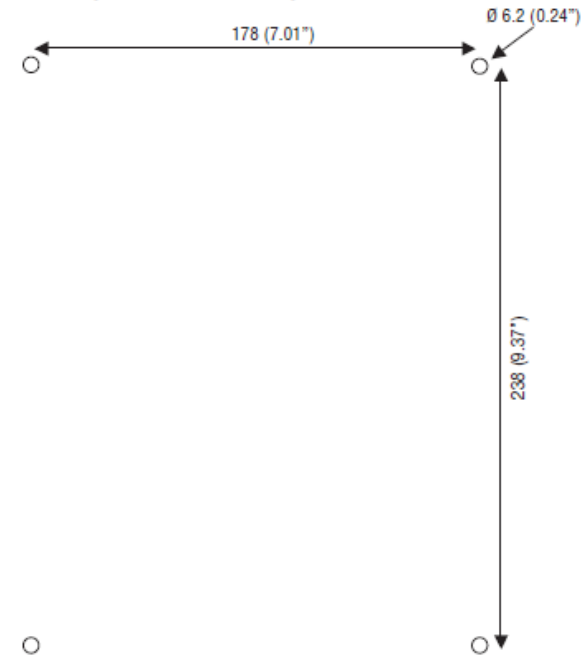




YD....., YDSW.....



Drilling for surface fixing



Button positions vary